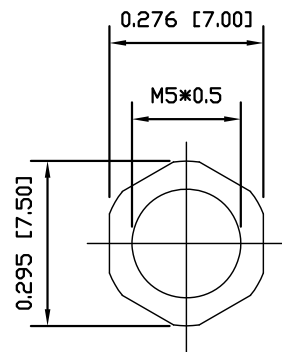


0.654 [16.60]



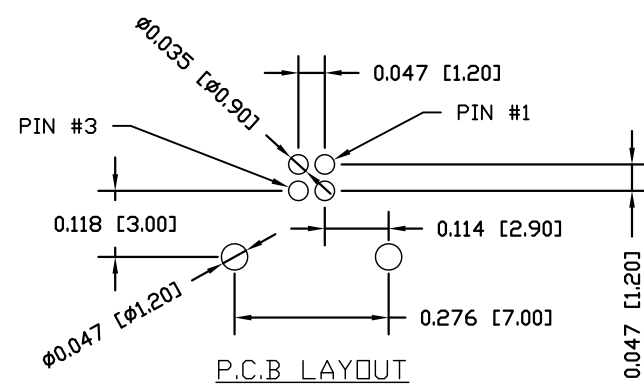
0.276 [7.00]

M5\*0.5

0.295 [7.50]

0.059 [1.50]

NUT



PIN #3

0.047 [1.20]

PIN #1

0.118 [3.00]

0.114 [2.90]

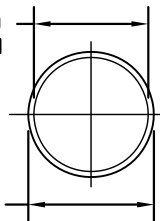
∅0.035 [∅0.90]

∅0.047 [∅1.20]

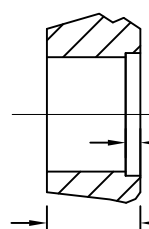
P.C.B. LAYOUT

0.047 [1.20]

0.205 [5.20]  
+0.004, -0.00  
[+0.10, -0.00]



0.225 [5.71]



0.020 [0.50]

0.125 [3.19]

853-002-113R00Y

1 = GOLD FLASH  
4 = 10µ" GOLD

NOTE:

MATERIAL

- HOUSING: PBT UL94V-0, BLACK
- CONTACT: BRASS
- NUT: BRASS
- O-RING: NBR, BLACK
- BACK HOUSING: PBT UL94V-0, BLACK
- DOWN HOUSING: PBT UL94V-0, BLACK

FINISH

- CONTACT: GOLD PLATED  
OVER 50µ" NICKEL
- NUT: NICKEL PLATED

ELECTRICAL

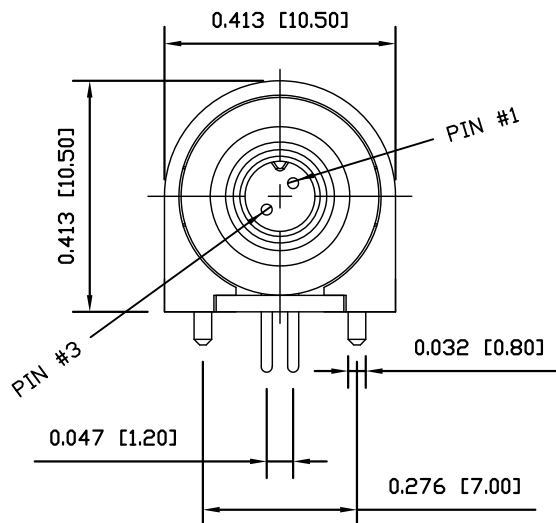
- RATED CURRENT: 1A
- RATED VOLTAGE: 60V
- INSULATION RESISTANCE: 100 MΩhms MIN.
- CONTACT RESISTANCE: 10 mΩhms MAX.
- WATER PROOF: IP67

ENVIRONMENT

- OPERATION TEMPERATURE: -40°C TO +85°C
- MAX. ASSEMBLY TORQUE: 1.5 in lbs

PANEL CUT-OUT

MAX. PANEL THICKNESS : 0.063"



0.413 [10.50]

0.413 [10.50]

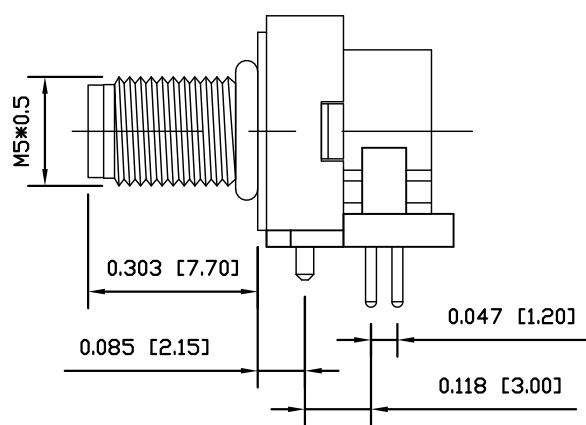
PIN #1

PIN #3

0.032 [0.80]

0.047 [1.20]

0.276 [7.00]



M5\*0.5

0.303 [7.70]

0.047 [1.20]

0.085 [2.15]

0.118 [3.00]

RoHS COMPLIANT

DO NOT SCALE FROM DRAWING



THESE DRAWINGS AND SPECIFICATIONS ARE THE PROPERTY OF NorComp AND SHALL NOT BE REPRODUCED, COPIED OR USED AS THE BASIS FOR THE MANUFACTURE OR SALE OF APPARATUS WITHOUT WRITTEN PERMISSION.

DRAWN:

M. SIGMON

DATE:

03-03-16

NorComp

SCALE:

NTS

SHEET

1

OF

1

REV

5

DWG NO.

853-002-113R00Y