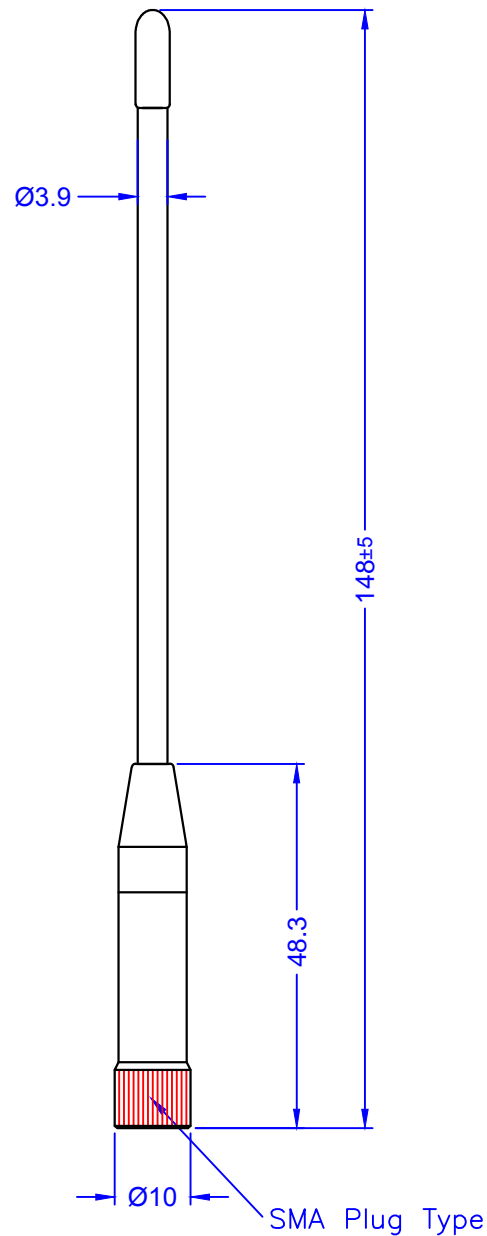


Series Part Numbers

Connector Code - XX -	Description	P / N
AM	SMA Plug	S463AM-868
AH	SMA Plug Reverse Polarity	S463AH-868

This is a RoHS compliant product.



Electrical Properties	
Frequency Range	824~896 MHz
Impedance	50Ω
V.S.W.R.	≤2.0
Radiation	Omni
Gain	1~3 dBi Ground Depandent
Polarization	Vertical
Mechanical Properties	
Body Material	Steel
Whip	Brass/PVC
Connector Type	SMA Type
Connector Material	Brass
Weight	16g (est)
Operating Temp	-20°C ~ +65°C

TITLE	Europe ISM Band Straight Antenna - 463 Model	Rev. Date	SHEET
		06/01/17	1 of 1
UNIT	DWG. NO.	S463XX-868	
in.(mm)		NEARSON	
SCALE			
none			