



**ANATECH ELECTRONICS INC**  
RF & Microwave Filters & Products

# 2350 MHz Ceramic Bandpass Filter

**Part Number: AM2350B1308**



## Electrical specifications

**Center Frequency:** 2350 MHz  
**Bandwidth:** 100 MHz  
**VSWR:** 1.5:1  
**Input / Output Impedance:** 50 Ohms  
**Passband:** 2300-2400 MHz  
**Passband Insertion Loss:** 3.5 dB max  
**Passband Ripple:** 1.0 dB max  
**Rejection:** 20 dB min at 2270 MHz  
**Rejection 2:** 20 dB min at 2430 MHz  
**Power Handling:** 30 dBm max

## Mechanical

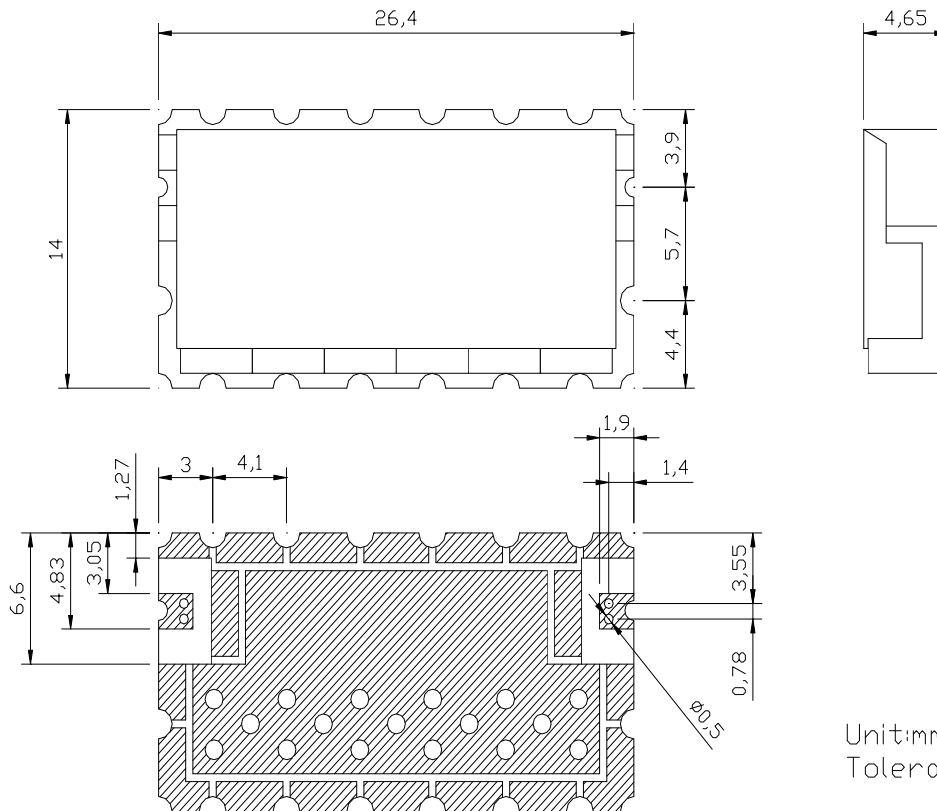
**Mounting Method:** SMT  
**Dimensions:** 26.4 x 14 x 4.65 mm

## Environmental

**Operating Temperature:** -40°C to 85°C  
**Storage Temperature:** -50°C to +90°C

**This product is RoHS compliant.**

## Outline Drawing:



Unit:mm  
Tolerance:±0.3