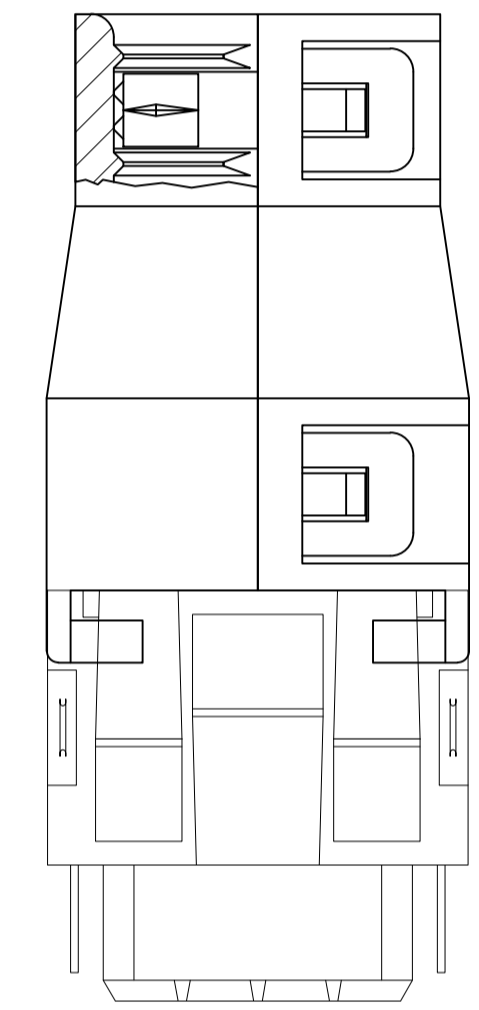
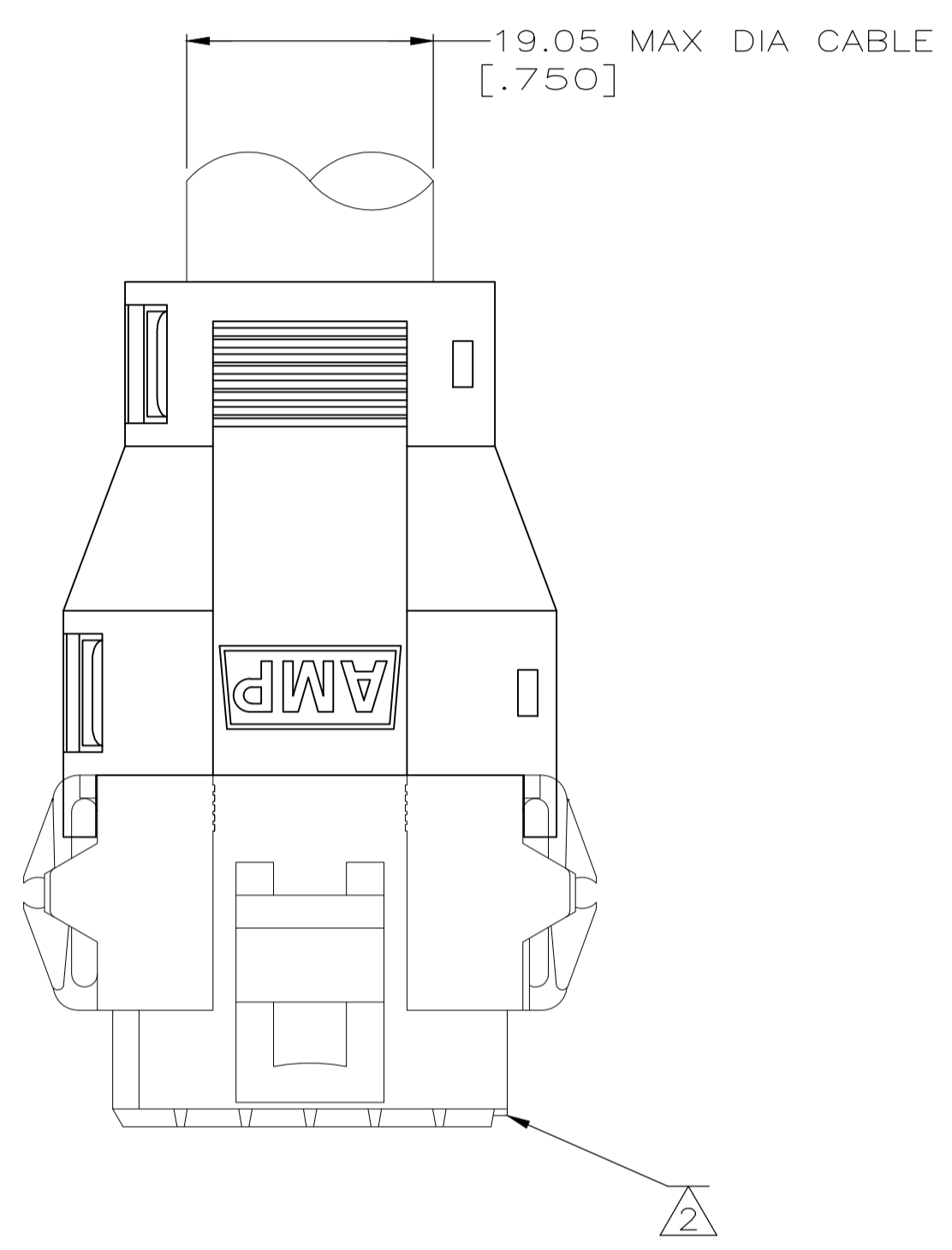
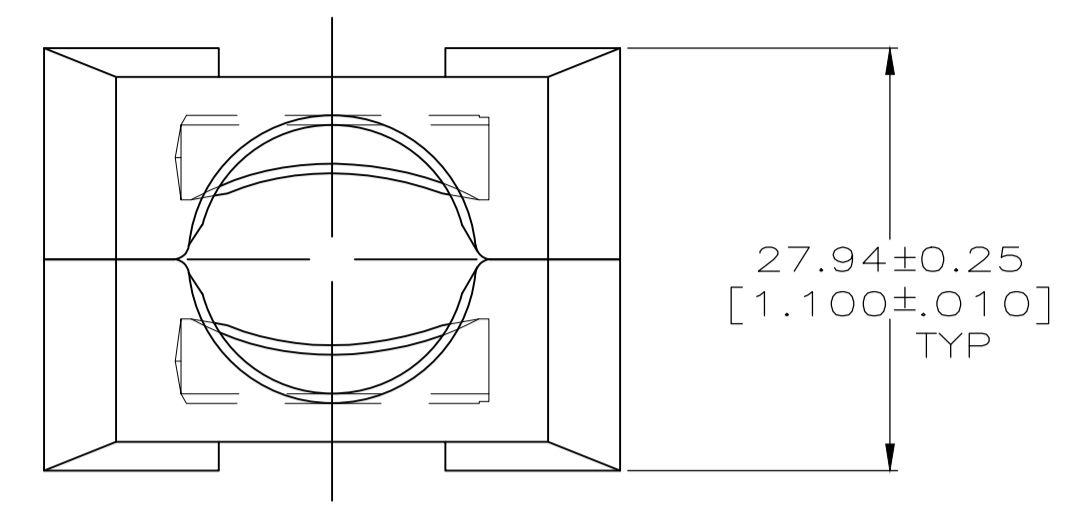
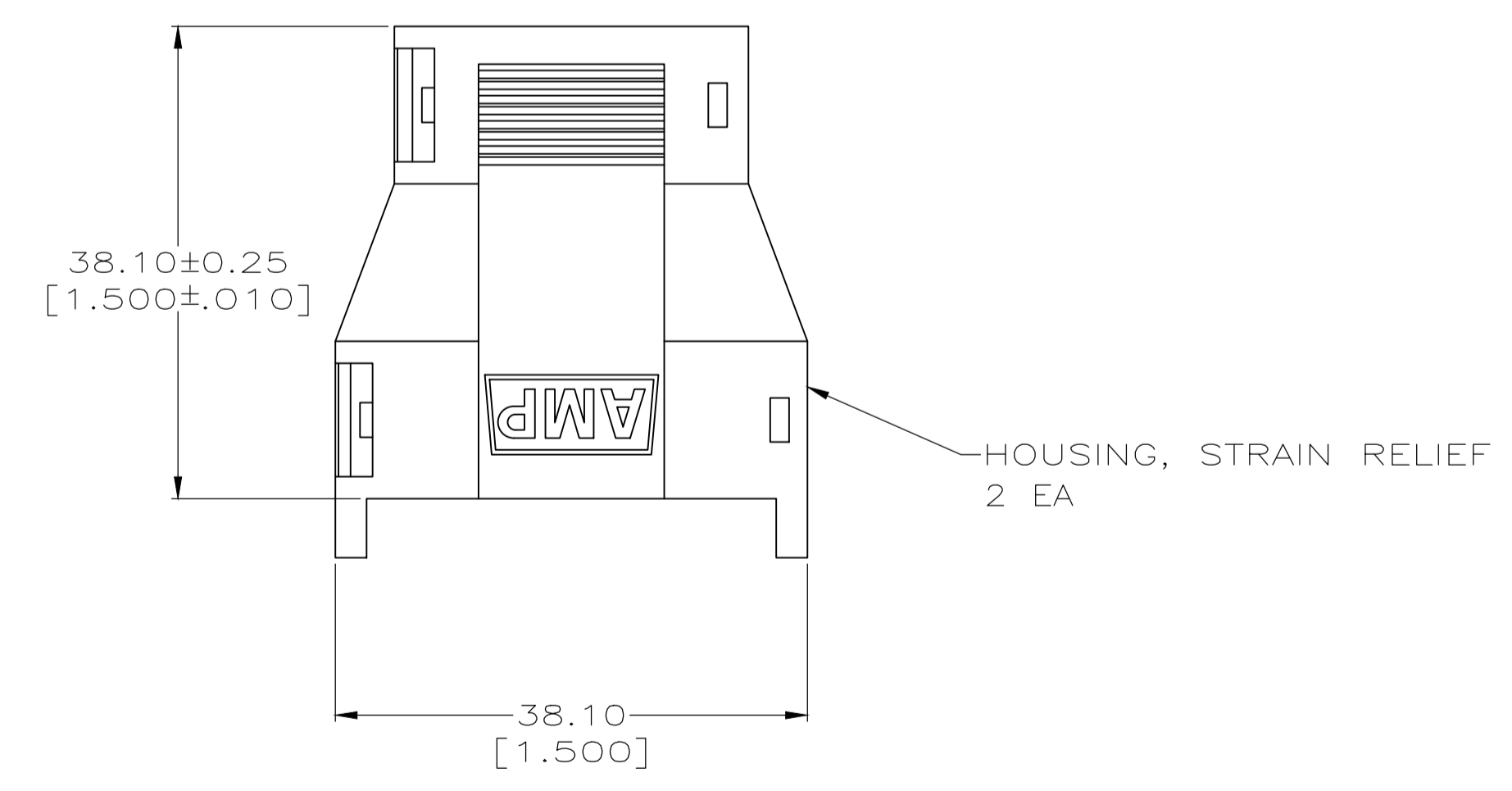
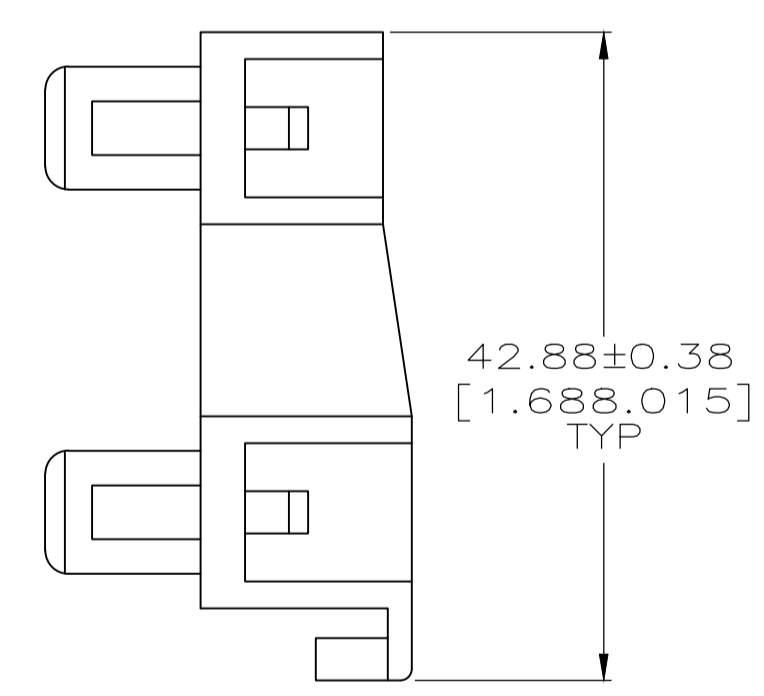
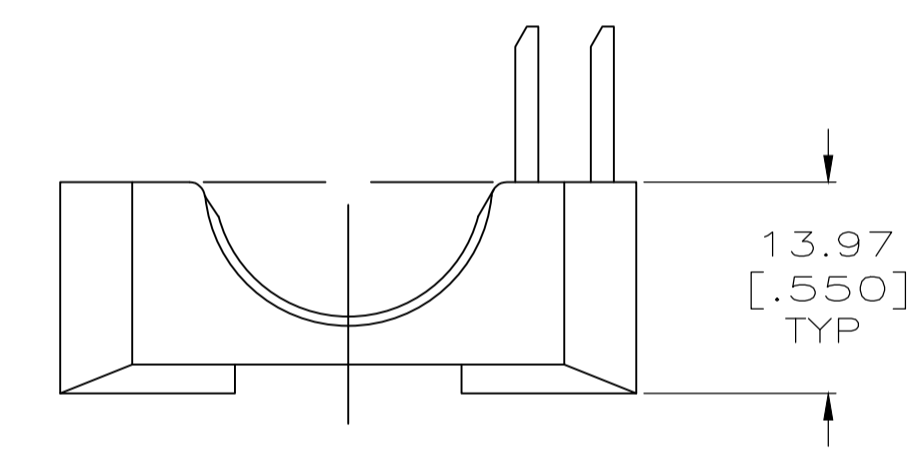
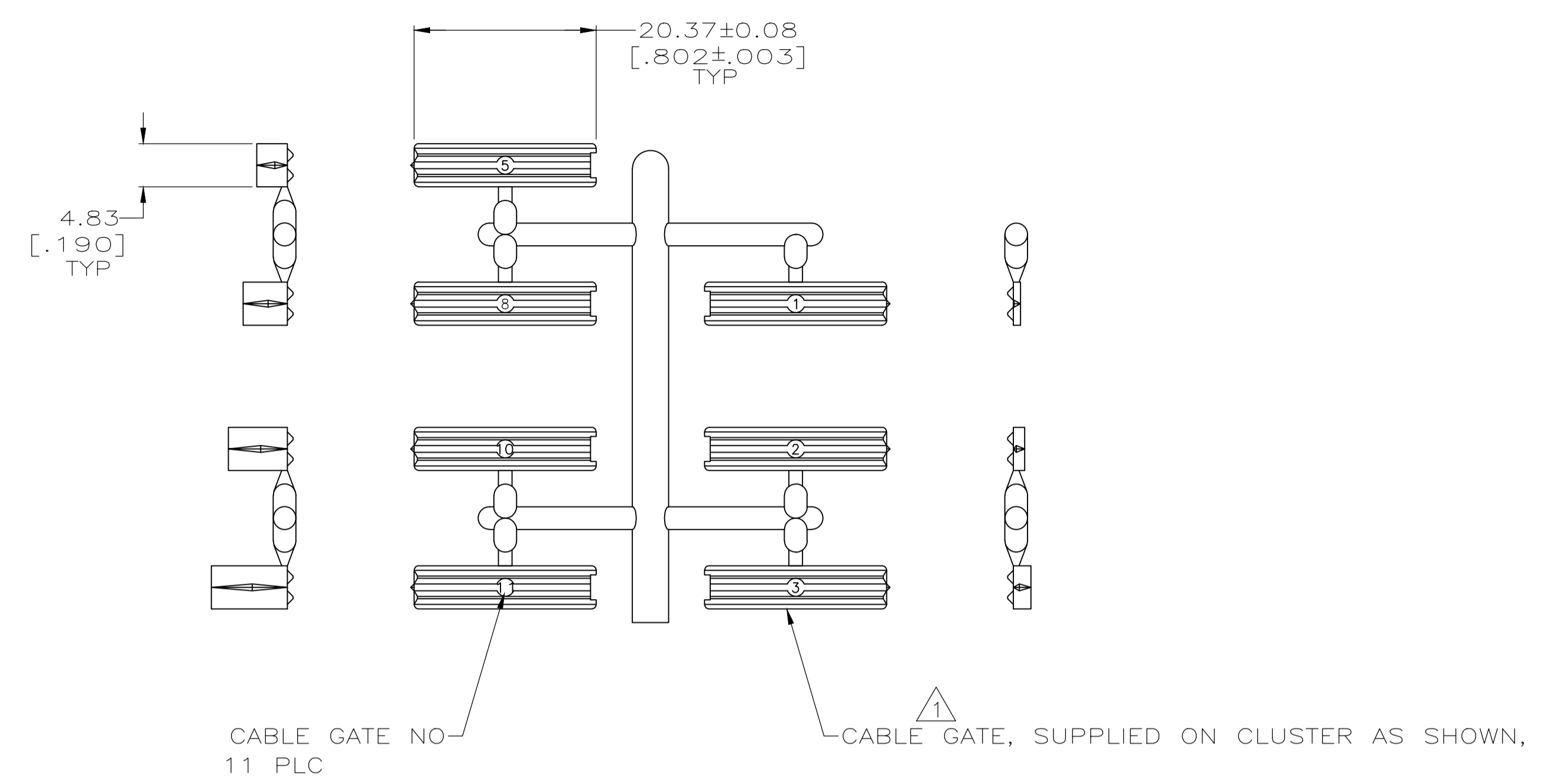


REVISIONS				
P	LTR	DESCRIPTION	DATE	APPV
F		REVISED PER ECO-20-002047	20FEB2020	RK MZ



ASSEMBLED VIEW



- ⚠ A VARIETY OF CABLE GATES ARE PROVIDED TO ACCOMMODATE A VARIETY OF CUSTOMER CABLE SIZES.
- ⚠ PLUG SHOWN FOR REFERENCE ONLY, STRAIN RELIEF CAN BE USED ON EITHER PLUG OR RECEPTACLE.
- ⚠ HOUSING MATERIAL: PA66, BLACK, UL 94 V-0 RATED.

THIS DRAWING IS A CONTROLLED DOCUMENT.		DIN J. McCLINTON 1-24-92	207088-1 PART NUMBER	
DIMENSIONS: INCHES		CHK R. STONE 1-29-92	TE Connectivity	
TOLERANCES UNLESS OTHERWISE SPECIFIED:		APPV -	NAME	
0 PLC ± -	PRODUCT SPEC	STRAIN RELIEF KIT, UNASSEMBLED, 24 POSITION, METRIMATE		
1 PLC ± -	APPLICATION SPEC	108-10033		
2 PLC ± 0.13[.005]	SIZE	A1	CAGE CODE	DRAWING NO
3 PLC ± -	WEIGHT	00779	207088	RESTRICTED TO
4 PLC ± -	MATERIAL	CUSTOMER DRAWING		
ANGLES ± -	FINISH	SCALE 2:1 SHEET 1 OF 1 REV F		