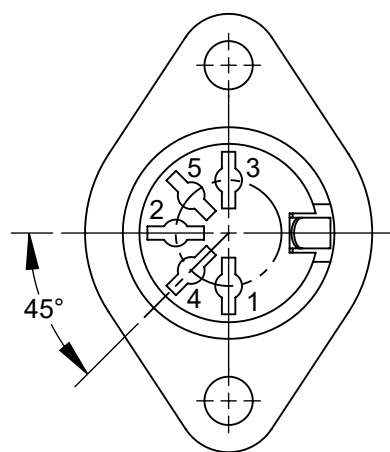
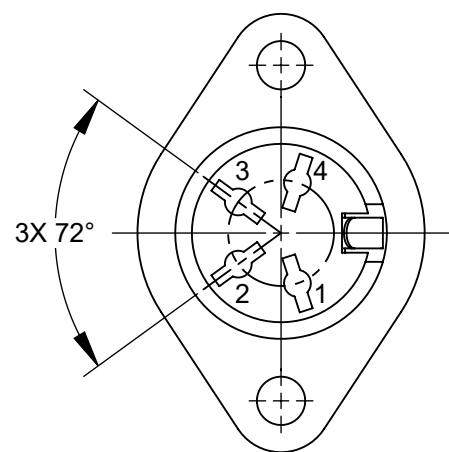


57GB3FX
3 CONTACTS AT 180°



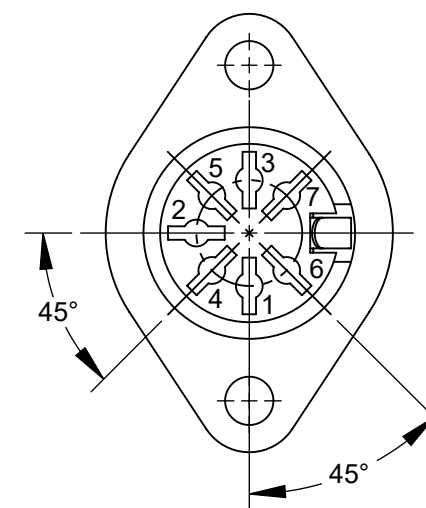
57GB5FX
5 CONTACTS AT 180°



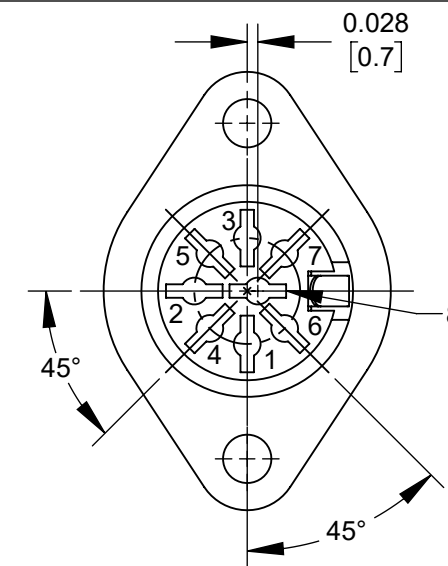
60GB4FX
4 CONTACTS AT 216°

6 CONTACT CONNECTOR

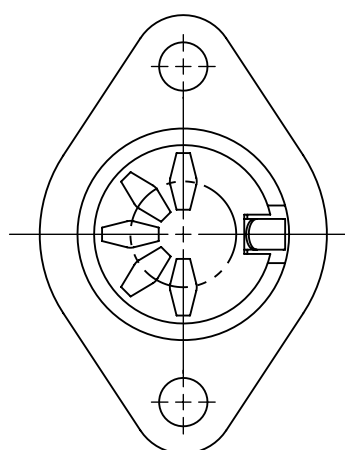
NO LONGER AVAILABLE



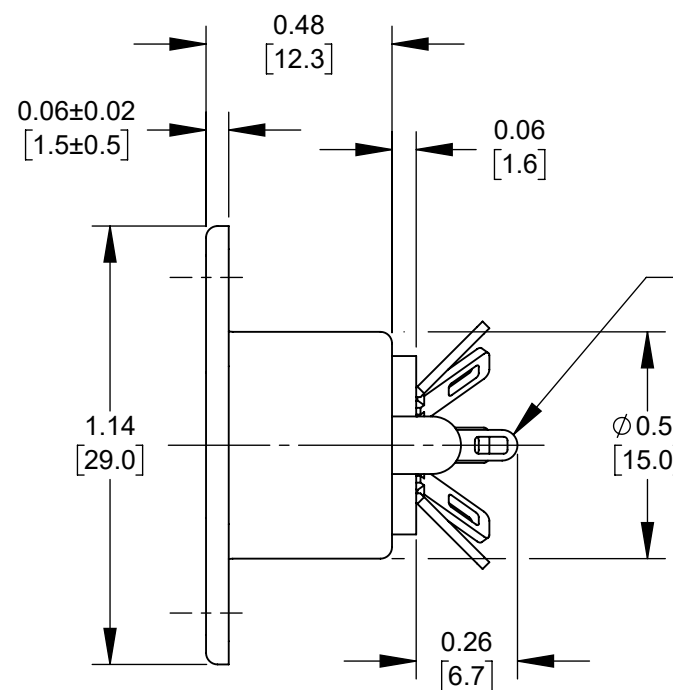
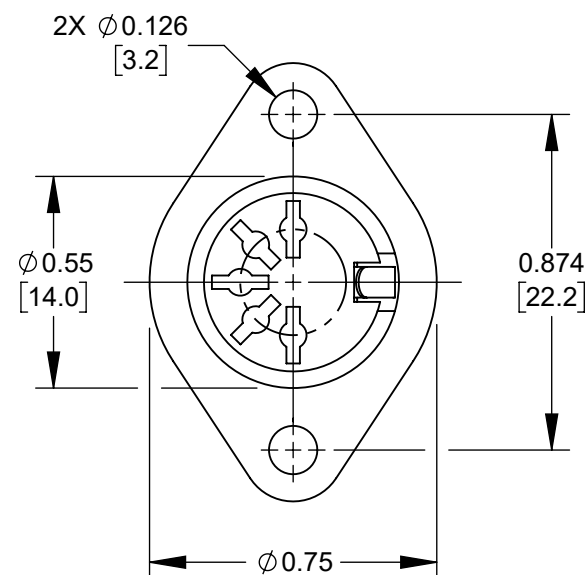
61GB6FX
6 CONTACTS AT 240°



62GB8FX
8 CONTACTS AT 270°

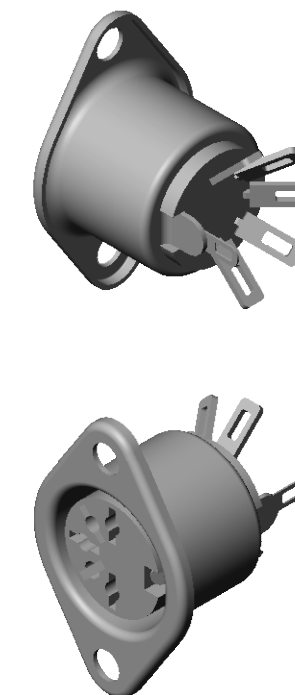


ALTERNATE CONTACT HOLE STYLE
SEE NOTE 1



GROUND TERMINAL

Ø0.66 MAX FLARE FOR TERMINALS



CUSTOMER DRAWING

NOTES:

1. SHAPE & ORIENTATION OF CONTACT HOLE MAY VARY FOR ALL PART NUMBERS.
2. Ø0.03[0.7mm] X 0.06[1.4mm] MINIMUM SLOT IN TERMINALS FOR SOLDERING.
3. MATERIALS:
HOUSING - DRAWN METAL, NICKEL PLATED
INSERT - THERMOPLASTIC, BLACK
TERMINALS - COPPER ALLOY, SILVER OR TIN PLATED
4. THESE PRODUCTS ARE RoHS COMPLIANT.

REV	ECO NUMBER	DATE	BY	APVD
C	28532	8/24/22	TJK	TJK
B	28011	3/14/18	TJK	TJK
A	26000	3/3/06	TJK	TJK

UNLESS OTHERWISE SPECIFIED

1. ALL DIMENSIONS IN INCHES
- TWO PLACE DECIMALS ±0.02
- THREE PLACE DECIMALS ±0.005

DO NOT SCALE DRAWING

THIS DRAWING DESCRIBES A DESIGN CONSIDERED PROPRIETARY IN NATURE, DEVELOPED AND MANUFACTURED BY SWITCHCRAFT INC. AND IS RELEASED ON A CONFIDENTIAL BASIS FOR IDENTIFICATION PURPOSES ONLY.

SIZE	WIDTH	MULT	LBS/M	TEMPER
FINISH				
SPEC No.			MATERIAL	
FIRST USED ON			SCALE	
			2:1	
DATE DRAWN	BY	CHKD	APVD	
2-20-06	TJK	TJK	TJK	
			2-20-06	
			3-1-06	
NAME			PART No.	
FEMALE DIN 3-8 PIN FLANGE MOUNTED RECEPTACLE, RoHS			57GB_FX, 60GB_FX, 61GB_FX & 62GB_FX SERIES	
				REV
				C

Switchcraft[®]

SHEET 1 OF 1

SolidWorks CAD File