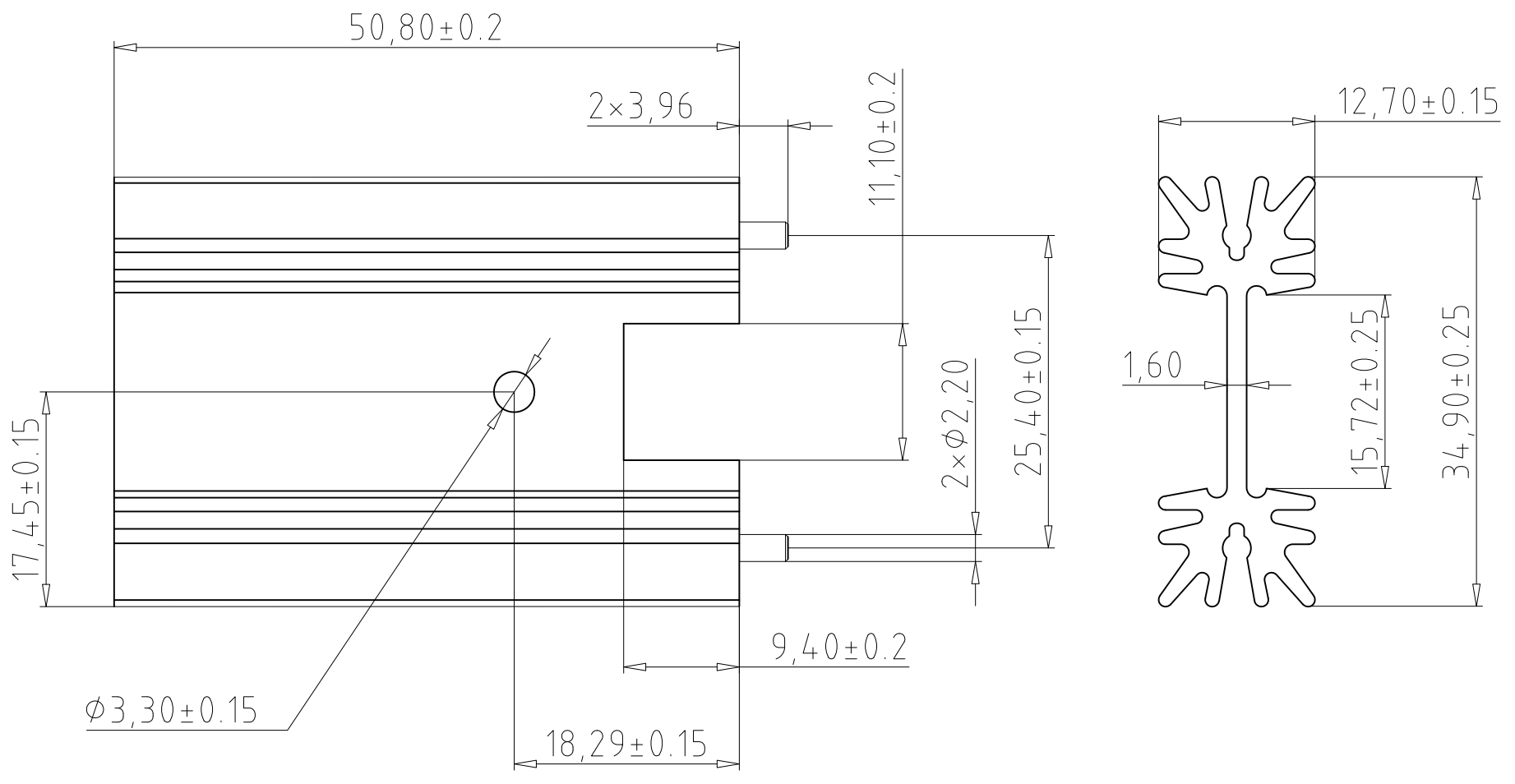


REV	DESCRIPTION	DATE	ORIGINATOR	APPROVED
A	--	--	--	--



NOTES:
 1.MATERIA: AL6063-T5
 2.FINISH:Black Anodize
 3.BREAK AND DEBUR ALL SHARP EDGES
 4.PART SHALL BE ROHS COMPLIANT

ALL DIMENSIONS ARE IN mm Unindicated TOL. .X ±0.35mm .XX ±0.25mm .XXX ±0.13mm ANG. ±1.0° 	FINISH Black Anodized				
	DRAWN BY Kevin Zhong				
	CHECKED BY	CUSTOMER PART NUMBER	DWG SIZE A4	CUS REV A	CS REV A
	APPROVED BY	CS PART NUMBER CSBL-177-A-0	SHEET 1 of 1	SCALE 1:1	DATE 04/26/2022