

NOTES: UNLESS OTHERWISE SPECIFIED

1. MATERIAL:

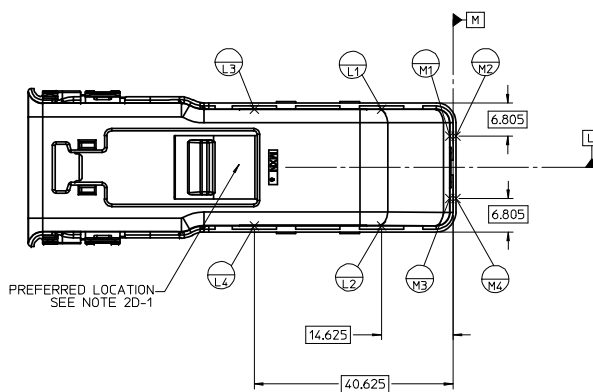
- A. RESIN: PBT, G.F. 30%
20% MAX. REGRIND (BY WEIGHT)
- B. COLOR: SEE TABLE

2. DESIGN - GENERAL:

- A. THIS IS A 100% CAD GENERATED PART. THE CAD MATHEMATICAL DATA IS THE MASTER FOR THIS PART. FOR DIMENSIONAL OR ANY INFORMATION NOT SHOWN ON THIS DRAWING, ANALYZE THE CAD MODEL.
- B. TOLERANCES:
 - a. LINEAR X.X ± 0.30
X.XX ± 0.10
X.XXX ± 0.10
 - b. ANGULAR X° ± 3.0°
- C. CORNERS SHOWN AS SHARP TO BE R 0.2 MAX.
- D-1. FOLLOWING PRODUCTION CODES TO BE PRESENT
 - a. DATE CODE
 - b. CAVITY ID
- E-1. PARTS MUST BE FREE OF DISCOLORATION, SALT RESIDUE AND OTHER IMPERFECTIONS THAT AFFECT FIT OR FUNCTION.
- E-2. SCRATCHES OR DENTS NOT TO EXCEED 0.13mm IN DEPTH.
- F. CHANGES IN DESIGN FROM PART PREVIOUSLY APPROVED REQUIRES PRIOR ENGINEERING APPROVAL. THIS INCLUDES BUT IS NOT LIMITED TO DRAFT, MATERIAL OR PROCESSING.

3. DESIGN - MANUFACTURING:

- A. DRAFT TO BE WITHIN TOLERANCE.
- B. ALLOWABLE FLASH 0.2 MAX HIGH X 0.13 MAX THICK.
- C. ALLOWABLE PARTING LINE MISMATCH 0.2 MAX.
- D. EJECTOR PINS MARK TO BE FLUSH TO 0.25 MAX DEPRESSED.
- E. ALLOWABLE GATE VESTIGE TO BE FLUSH TO 0.25 MAX PROTRUSION.



AUTOMATION ENGINEERING FUNCTIONAL ASSEMBLY: 0
 CUSTOMER FUNCTIONAL CUSTOMER: 0
 PRODUCT ENGINEERING FUNCTIONAL PRODUCT: 1

34565-0003	D	BLACK	SALEABLE	
MATERIAL NO.	MATERIAL REV	COLOR	STATUS	
D3				RELEASED INTO ONE-SPACE FROM PRO-E
				DESCRIPTION

ENTER DESCRIPTION IEC NO: UAU2008-0708 DRAWN BY: SRAJENDRANAT 2008/05/05 CHKD: SIKIVER 2008/05/05 APPR: VKOSHY 2008/05/05	QUALITY SYMBOLS ▽=0 ▽=0	GENERAL TOLERANCES (UNLESS SPECIFIED) mm INCH 4 PLACES +--- +--- 3 PLACES +--- +--- 2 PLACES +--- +--- 1 PLACE +--- +--- ANGULAR ±----°	DIMENSION STYLE MM ONLY DRAWN BY DATE SRAJENDRANAT 2008/05/02 CHECKED BY DATE TSKIVER 2008/05/02 APPROVED BY DATE VKOSHY 2008/05/02	SCALE 2:1	DESIGN UNITS METRIC	THIRD ANGLE PROJECTION ☐	TITLE MX123 73/80 CKT DRESS COVER	MATERIAL NO. AS NOTED	DOCUMENT NO. SD-34565-001	SHEET NO. 1 OF 1
	DRAFT WHERE APPLICABLE MUST REMAIN WITHIN DIMENSIONS THIS DRAWING CONTAINS INFORMATION THAT IS PROPRIETARY TO MOLEX INCORPORATED AND SHOULD NOT BE USED WITHOUT WRITTEN PERMISSION									