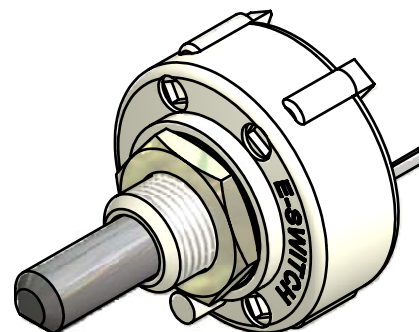
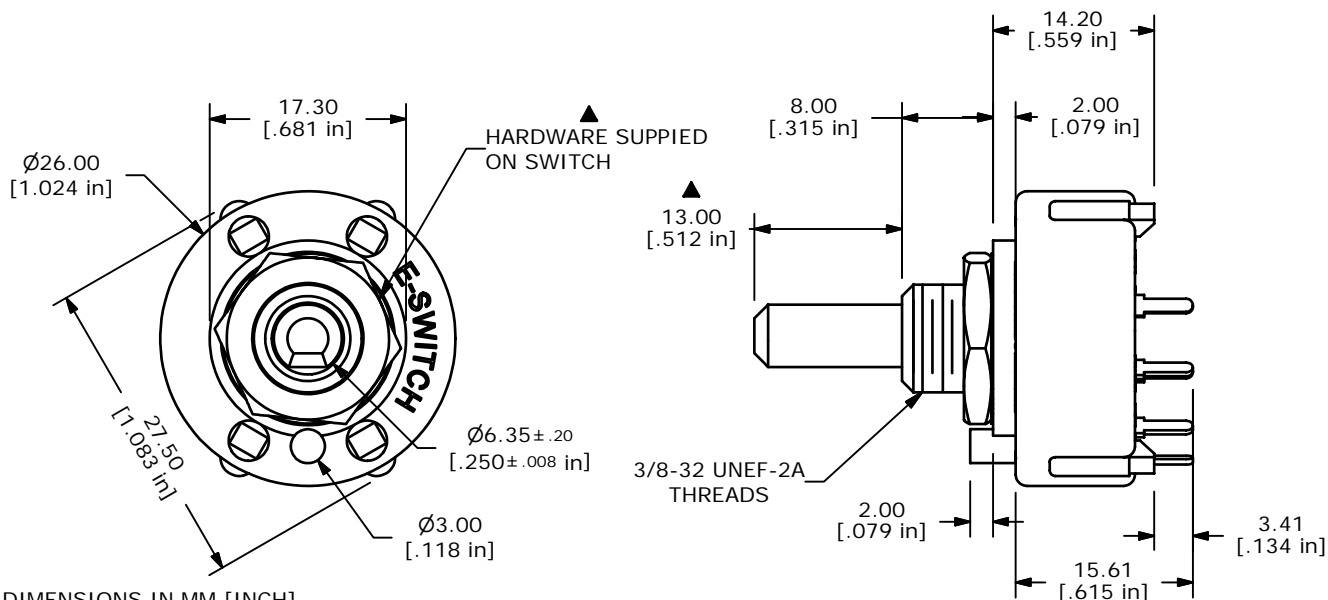


CONTACT CONFIGURATION
TIMING (BBM) NON-SHORTING



ISOMETERIC



- NOTE:
1. ALL DIMENSIONS IN MM [INCH].
 2. GENERAL TOLERANCE: X.X=±0.4
X.XX=±0.25
 3. TERM. NOS. FOR REFERENCE ONLY.
 - ▲4. CONTACT MATERIAL: SILVER
 5. CONTACT RATING: 0.3A @ 125VAC
 6. CONTACT RATING: (NON-SWITCHING) 5A
 7. OPERATING FORCE 800±300gm-cm
 8. OPERATING TEMP: -30°C TO 85°C
 - ▲9. CIRCUIT SP: 3 POSITION 30° INDEX.
 10. DIELECTRIC STRENGTH: 500VAC FOR 1 MIN.
 - ▲11. HARDWARE SUPPLIED ON SWITCH:
LOCKWASHER, HEXNUT, STOP RING
 12. ▲ DENOTES CRITICAL PARAMETER.
 13. 2002/95/EC (ROHS) COMPLIANT

E-SWITCH®

A	16523	RELEASED FOR PRODUCTION	10/11/2006	TN
REV	PCR NO	DESCRIPTION	DATE	BY

TITLE KC13A13.001NPS				
SCALE	DATE	DR	DWG	REV
1.5:1	10/11/2006	TN	G510607	A

THE INFORMATION CONTAINED IN THIS DOCUMENT IS PROPRIETARY TO E-SWITCH AND IS NOT TO BE COPIED OR TRANSFERRED