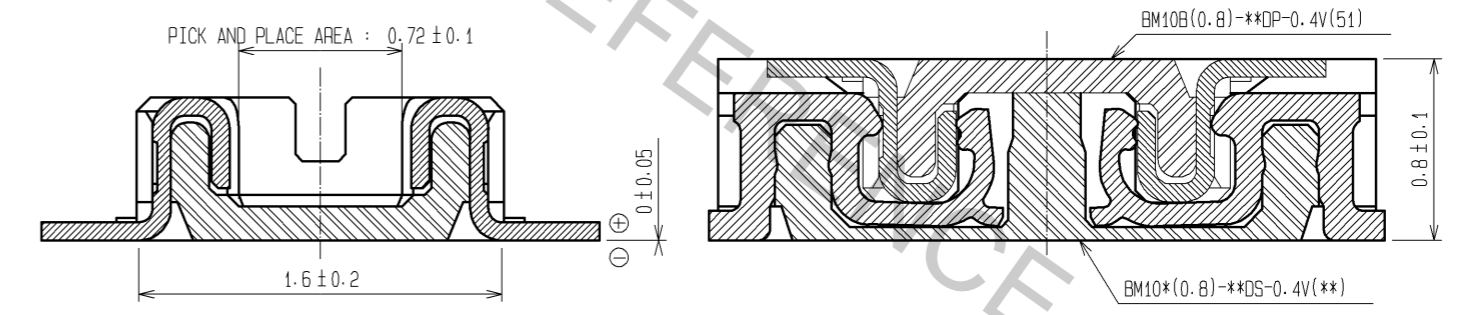


△ 7 RECOMMENDED SOLDER PASTE : THICKNESS 120μm  
 △ 7 RECOMMENDED METAL MASK OPENING RATIO : 100%

A-A

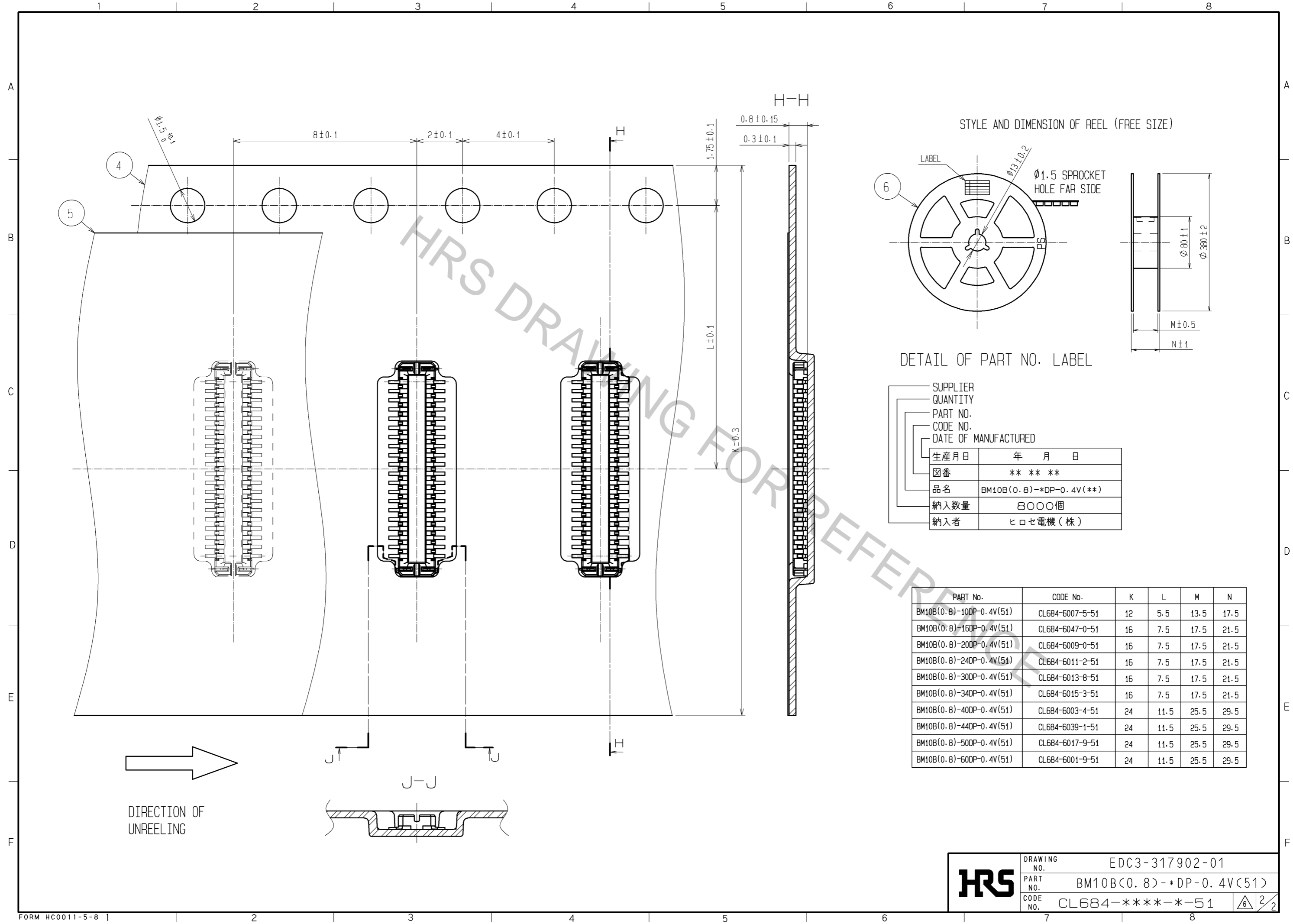
ENGAGEMENT FIGURE



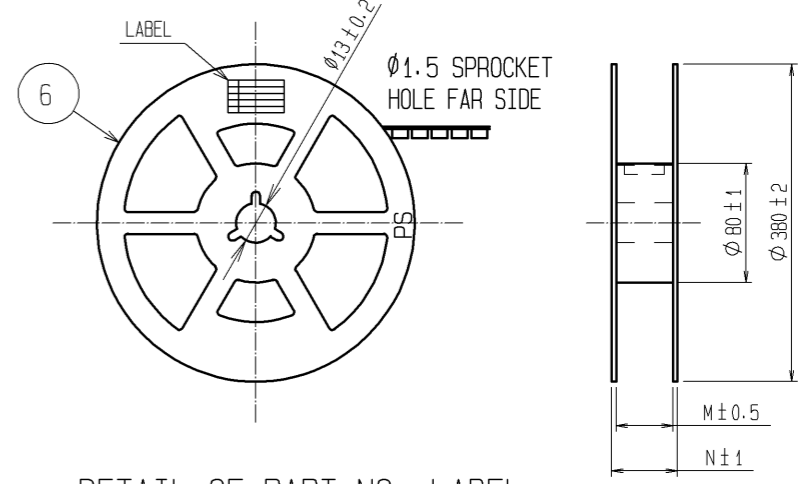
- NOTE 1. ALL LEADS CO-PLANARITY SHALL BE 0.1 MAX.  
 2. PER REEL : 8000 CONNECTORS.  
 3. AT THE BEGINNING OF THE REEL, 100 mm AT MIN SHALL BE EMPTY POCKETS.  
 AT THE END OF THE REEL, 160 mm AT MIN SHALL BE EMPTY.
- 4 CONTACT PLATING SPECIFICATIONS.  
 CONTACT AREA : GOLD 0.05μm MIN.  
 SMT LEAD : GOLD 0.05μm MIN.  
 UNDERPLATING : NICKEL 1μm MIN.  
 (SURFACE : SEALING)
- 5 METAL HOLD DOWN PLATING SPECIFICATIONS.  
 MOUNTING AREA: GOLD 0.05μm MIN.  
 UNDERPLATING : NICKEL 1μm MIN.
6. PEEL FORCE OF COVER TAPE REFERS TO JIS C 0806.  
 7 PLEASE CONTACT US IN CASE YOU WILL MAKE DIFFERENT SETTINGS FROM OUR RECOMMENDATION.

PART No.	CODE No.	B	C	D	E	F	G
BM10B(0.8)-10DP-0.4V(51)	CL684-6007-5-51	3.32	1.6	0.8	2.74	2.3	3.18
BM10B(0.8)-16DP-0.4V(51)	CL684-6047-0-51	4.52	2.8	1.6	3.94	3.5	4.38
BM10B(0.8)-20DP-0.4V(51)	CL684-6009-0-51	5.32	3.6	1.6	4.74	4.3	5.18
BM10B(0.8)-24DP-0.4V(51)	CL684-6011-2-51	6.12	4.4	2.0	5.54	5.1	5.98
BM10B(0.8)-30DP-0.4V(51)	CL684-6013-8-51	7.32	5.6	2.0	6.74	6.3	7.18
BM10B(0.8)-34DP-0.4V(51)	CL684-6015-3-51	8.12	6.4	2.4	7.54	7.1	7.98
BM10B(0.8)-40DP-0.4V(51)	CL684-6003-4-51	9.32	7.6	2.4	8.74	8.3	9.18
BM10B(0.8)-44DP-0.4V(51)	CL684-6039-1-51	10.12	8.4	2.8	9.54	9.1	9.88
BM10B(0.8)-50DP-0.4V(51)	CL684-6017-9-51	11.32	9.6	2.8	10.74	10.3	11.18
BM10B(0.8)-60DP-0.4V(51)	CL684-6001-9-51	13.32	11.6	3.2	12.74	12.3	13.18

3	PHOSPHOR BRONZE	5	6	PS	PLASTIC REEL (BLACK)
2	PHOSPHOR BRONZE	4	5	POLYESTER	CLEAR(COVER TAPE)
1	LCP	UL94V-0. BLACK	4	PS	CLEAR(EMBOSSED CARRIER TAPE)
NO.	MATERIAL	FINISH . REMARKS	NO.	MATERIAL	FINISH . REMARKS
UNITS	mm	SCALE	10 : 1	COUNT	3
DESCRIPTION OF REVISIONS		DESIGNED	NY. YAMASHIRO	CHECKED	TS. MIYAZAKI
DATE		10.11.29	DRAWING NO. EDC3-317902-01		
APPROVED : KH. IKEDA		08.01.23	PART NO. BM10B(0.8)-*DP-0.4V(51)		
CHECED : KY. MIDORIKAWA		08.01.23	CODE NO. CL684-****-*-51		
DESIGNED : TH. ARAI		08.01.16	1/2		
DRAWN : SH. HOSODA		08.01.12			



STYLE AND DIMENSION OF REEL (FREE SIZE)



SUPPLIER  
QUANTITY  
PART NO.  
CODE NO.  
DATE OF MANUFACTURED

生産月日	年 月 日
図番	** ** *
品名	BM10B(0.8)-*DP-0.4V(**)
納入数量	8000個
納入者	ヒロセ電機(株)

PART No.	CODE No.	K	L	M	N
BM10B(0.8)-10DP-0.4V(51)	CL684-6007-5-51	12	5.5	13.5	17.5
BM10B(0.8)-16DP-0.4V(51)	CL684-6047-0-51	16	7.5	17.5	21.5
BM10B(0.8)-20DP-0.4V(51)	CL684-6009-0-51	16	7.5	17.5	21.5
BM10B(0.8)-24DP-0.4V(51)	CL684-6011-2-51	16	7.5	17.5	21.5
BM10B(0.8)-30DP-0.4V(51)	CL684-6013-8-51	16	7.5	17.5	21.5
BM10B(0.8)-34DP-0.4V(51)	CL684-6015-3-51	16	7.5	17.5	21.5
BM10B(0.8)-40DP-0.4V(51)	CL684-6003-4-51	24	11.5	25.5	29.5
BM10B(0.8)-44DP-0.4V(51)	CL684-6039-1-51	24	11.5	25.5	29.5
BM10B(0.8)-50DP-0.4V(51)	CL684-6017-9-51	24	11.5	25.5	29.5
BM10B(0.8)-60DP-0.4V(51)	CL684-6001-9-51	24	11.5	25.5	29.5

➔  
DIRECTION OF UNREELING

<b>HRS</b>	DRAWING NO.	EDC3-317902-01	
	PART NO.	BM10B(0.8)-*DP-0.4V(51)	
	CODE NO.	CL684-****-*-51	2/2