



Since 1959

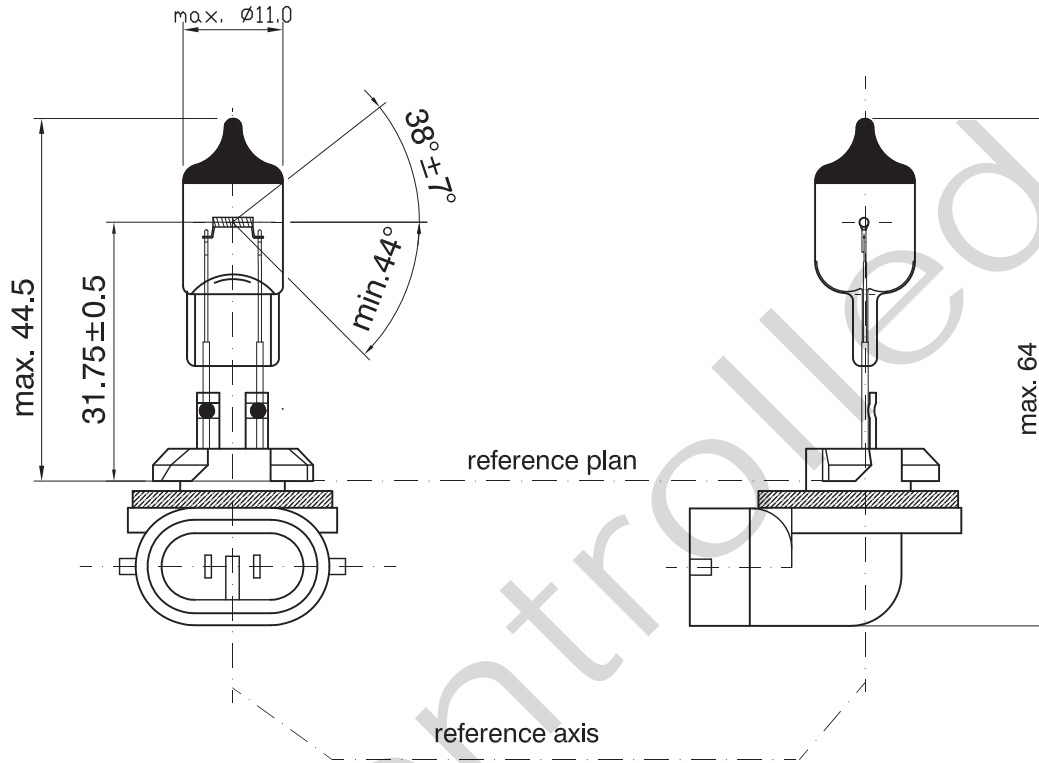
Product Information Sheet

H27W/2 (881) 12V 27W

881

2019. 08. 19 NEW

2017. 07. 05 OLD



\* all dimensions in mm

Halogen bulb	
H27W/2 12V 27W	
Cap: <sup>1)</sup>	PGJ13
Type:	881
ECE R37	(E1) 2S2
FMVSS108	none
Bulb mat.:UV-cut Hardglass	

Technical data	R37	
Test voltage	13.5V	12.8V
Power	31W max.	30W max.
Luminous flux	477lm ±15%	<sup>8)</sup> 540lm ±15%
Lumen maintenance after 450hr	85 % min	85 % min

Rated life:	<sup>4) 5)</sup> at 13.5V	<sup>2) 3)</sup> at 14.0V
	Tc: 1300 hr	B70: 850 hr
	B50: 1200 hr	B50: 800 hr
	B3: 750 hr	B10: 600 hr

- 1) According to IEC 60061-1 sheet 7004-5-7
- 2) According to SAE J 1383 Annex 5.20
- 3) Switching cycle according to SAE J 1383 5.20.2
- 4) According to IEC 60810 Annex A
- 5) Switching cycle according to IEC 60810 Annex A;4.1.1
- 6) Switching cycle according to IEC 60810 Annex A;4.1.2
- 7) Switching cycle according to IEC 60810 Annex A;4.2
- 8) Without black top

Maximum operating temperature:	1:bulb 650°C max
	2:pinch 400°C max

Vibration resistance acc. to IEC 60810 Annex B; table B.2	> 20h
---	-------