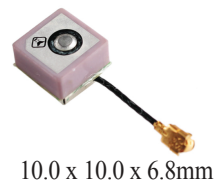


# GPS Active Internal Patch

## APAM1068JL01V2.0

RoHS/RoHS II compliant  
MSL level: N/A



10.0 x 10.0 x 6.8mm

### FEATURES:

- Compact Size
- Easy to Install
- RoHS Compliant

### TYPICAL APPLICATIONS:

- Automotive Navigation, Marine buoys,
- Personal Tracking
- Surveying equipment, Cell phone, Laptop,
- Healthcare and medical monitoring devices, PND, PDA

### STANDARD SPECIFICATIONS:

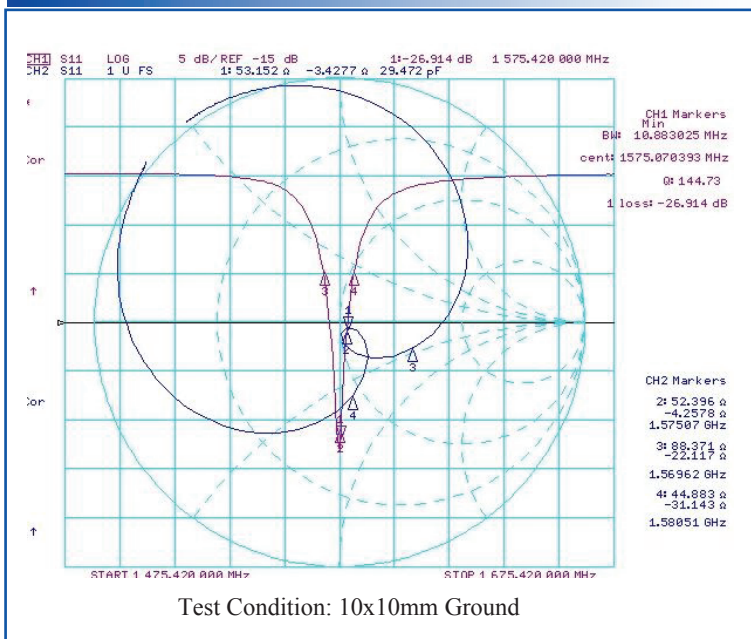
#### Antenna

Parameters	Min.	Typ.	Max.	Units	Note
Center Frequency	1575.42±1.02			MHz	
Bandwidth	3			MHz	
Gain		-2.0		dBic	(Peak gain on 70*70mm Ground Plane facing Zenith.)
VSWR @ Center Frequency		1.5			
Polarization Model	RHCP				(Right Hand Circular Polarization)
Impedance	50			$\Omega$	
Working Temperature	-25		+72	$^{\circ}\text{C}$	
Storage Temperature	-45		+85	$^{\circ}\text{C}$	

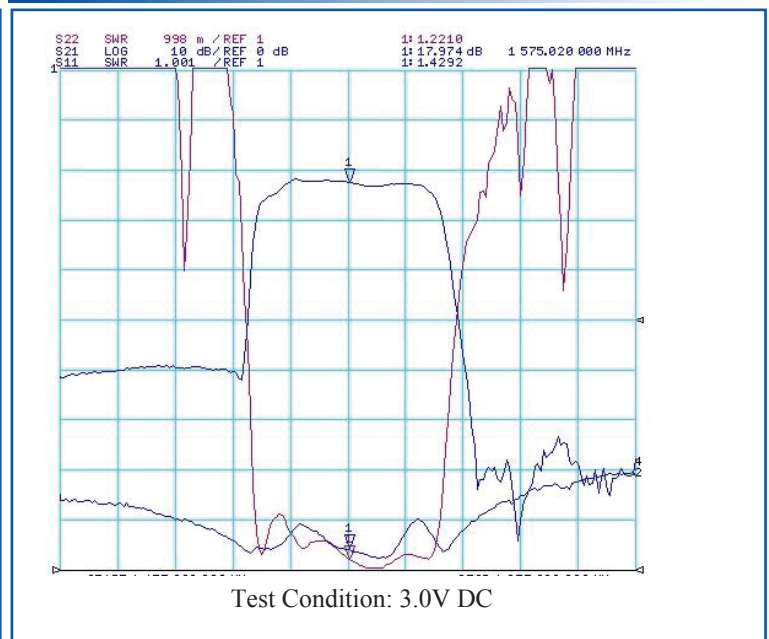
#### Low Noise Amplifier (LNA)

Parameters	Min.	Typ.	Max.	Units	Note
Center Frequency	1575.42±1.02			MHz	
DC Voltage	2.70		3.30	V	
Gain		18		dB	(Without cable +25 $^{\circ}\text{C}$ ± 10 $^{\circ}\text{C}$ )
Output VSWR		2.0			
Noise Figure		2.0			(+25 $^{\circ}\text{C}$ ± 10 $^{\circ}\text{C}$ )
DC current		3.5		mA	(At 3.0V)

### SMITH CHART



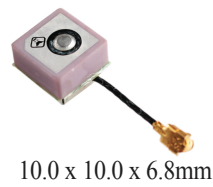
### GPS LNA GAIN PLOT



# GPS Active Internal Patch

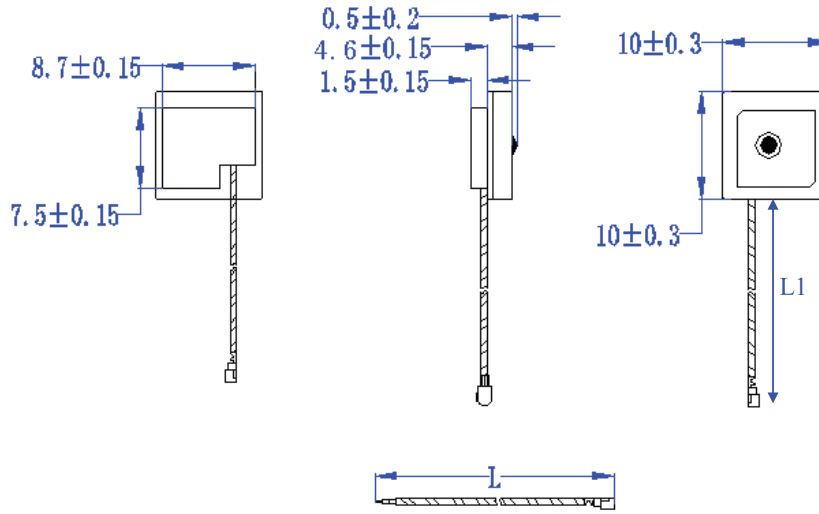
**APAM1068JL01V2.0**

RoHS/RoHS II compliant



10.0 x 10.0 x 6.8mm

## OUTLINE DIMENSION:

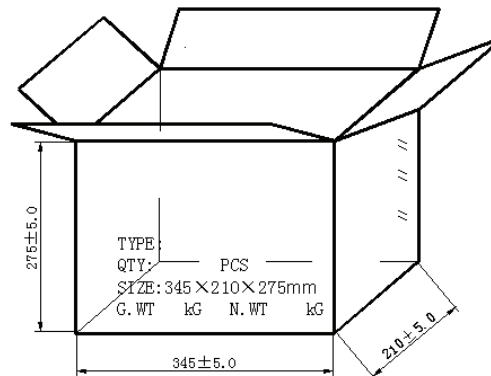
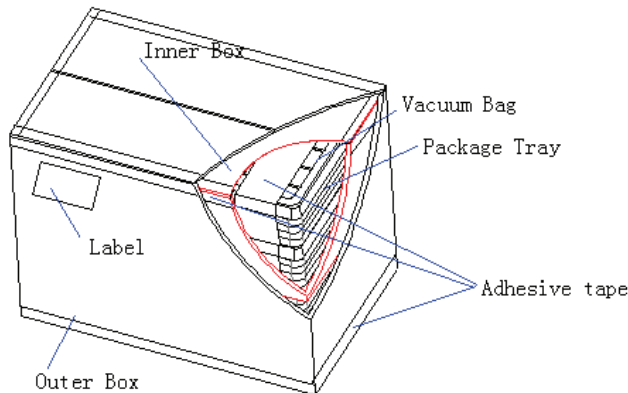
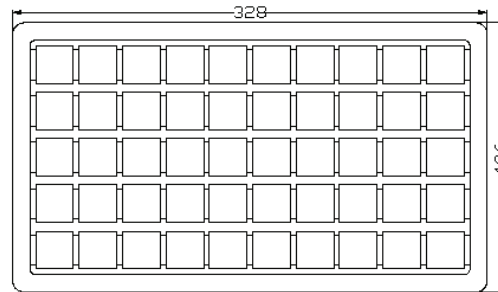


Description	Material
Antenna Type	Dielectric Ceramics
PCB	FR4
Shielding	Tinplate
RF Cable	$\phi 0.81 \pm 0.1 \text{ mm}$ , $L1 = 15 \pm 2 \text{ mm}$ , $L = 20 \text{ mm}$
RF Connector	I-PEX
Thickness	6.8mm Max

Unit: mm

## PACKAGING:

Package Type	Quantity
Tray	50 pcs/tray
Vacuum Bag	200pcs/box
Outer Box	1000 pcs/box



**ATTENTION:** Abracon LLC's products are COTS – Commercial-Off-The-Shelf products; suitable for Commercial, Industrial and, where designated, Automotive Applications. Abracon's products are not specifically designed for Military, Aviation, Aerospace, Life-dependant Medical applications or any application requiring high reliability where component failure could result in loss of life and/or property. For applications requiring high reliability and/or presenting an extreme operating environment, written consent and authorization from Abracon LLC is required. Please contact Abracon LLC for more information.