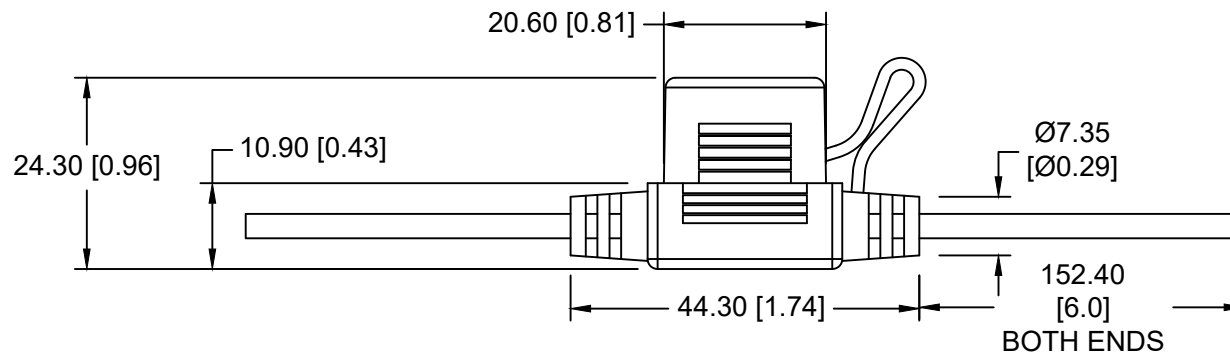



Date	SYM	REVISION RECORD	AUTH	DR.	CK.
01/19/18	A	Added "Water Resistance Type"	T.B.	B.S.	
04/12/19	B	Updated to "ROHS COMPLIANT"	T.B.	B.S.	
11/26/19	C	WAS RATED 30 AMP. DIM. 152.40 WAS 130.18	T.B.	B.S.	



WATER RESISTANT TYPE

NOTES:

- MATERIAL:
HOUSING : PVC ,UL94V-0, FLEX 60GPVC, UL FILE NO. E174939
 - WIRE: RED WIRE, 16 AWG, 600V, 105°C,
FLAME RATED VW-1, UL FILE NO. E250011 OR ENGINEERING
APPROVED EQUIVALENT
 - RATED CURRENT: 15A
 - ACCEPTS ATM/ASP FUSES
 - INSULATION RESISTANCE AT 500V DC: 100MΩ MIN
 - CONTACT RESISTANCE: 5mΩ AT 1A DC
 - DIELECTRIC STRENGTH FOR 60 SECONDS: AC 1000V MIN
- ROHS COMPLIANT

Tolerance (Except as noted)	 Memory Protection Devices, Inc 200 Broad Hollow Road, Farmingdale, New York 11735		
decimal ±.5 (.020)		Scale	Drawn By B.S.
			Approved By T.B.
Fractional ± .8 (.030)	Title INLINE FUSE HOLDER		
Angular ± 3°	Date 11/26/19	Drawing Number BF353S	