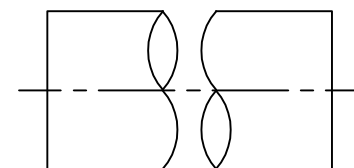
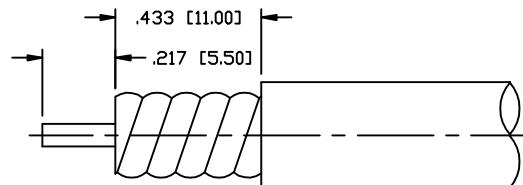
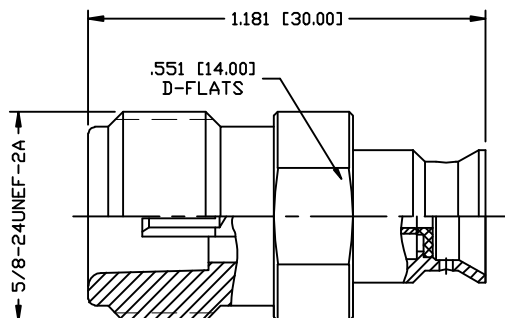


PART NO.

RFN-1027-HPL

REV	DESCRIPTION	DWN	DATE	APPROVED
-	ENGINEERING RELEASE	CZS	03/24/15	JDMc

SPECIFICATIONS:

IMPEDANCE: 50 Ohms

FREQUENCY RANGE: 0-6GHz

VSWR TYPICAL: <1.1:1 TO 3GHz

PIM 3RD ORDER: <-155 dBc

DIELECTRIC WITHSTANDING VOLTAGE: 1500V/AC

INSULATION RESISTANCE: 5000 MOHMS

TEMPERATURE RANGE: -40°C TO 165°C

RoHS COMPLIANT

CUSTOMER
OUTLINE DRAWINGALL DIMENSIONS
ARE REFERENCE ONLYUNLESS OTHERWISE SPECIFIED:
DIMENSIONS ARE IN INCHES
AND [MILLIMETERS]

DRAWN	JDM	8/28/15
CHECKED		
ORJ DRAWN	C. ZUNIGA	03/24/15

PROPRIETARY AND CONFIDENTIAL
THIS DRAWING CONTAINS
INFORMATION PROPRIETARY TO
RF INDUSTRIES, ANY
UNAUTHORIZED USE OF THIS
DRAWING IS EXPRESSLY
PROHIBITED WITHOUT WRITTEN
PERMISSION FROM RF
INDUSTRIES. ANY VIOLATION IS
PUNISHABLE UNDER U.S.
COPYRIGHT LAWS.

RFconnectors
DIVISION OF RF INDUSTRIES, LTD.

7610 MIRAMAR RD.
SAN DIEGO, CA 92126
(858) 549-6340
(858) 549-6345 FAX

N FEMALE
SOLDER/SOLDER FOR SPP-250-LLPL

SIZE	CABLE GROUP	DWG NO.	REV
A	N/A	RFN-1027-HPL	—
SCALE:	ENGINEERING ID:	SHEET 1 OF 1	
NTS	1787		

#	DESCRIPTION	QTY	MATERIAL	FINISH
5	TUBING	1	HEAT SHRINK	----
4	INSULATOR	1	PTFE	----
3	CONTACT	1	Be.Cu.	SILVER
2	INSULATOR	1	PTFE	----
1	BODY	1	BRASS	WHIETE BRONZE