

Evaluation Board User's Manual

SP338/SP339/XR34350EVB

1.0 INTRODUCTION

This user's manual is for the SP338/SP339/XR34350 evaluation board. The SP338, SP339 and XR34350 are pin compatible devices and are all offered in the 40-pin QFN package. The primary difference is that the SP339 and XR34350 only have 4 modes of operation (2 mode control pins) while the SP338 has 8 modes of operation (3 mode control pins). Table 1 shows the different devices and packages that this evaluation board supports, and the corresponding ordering part numbers for each.

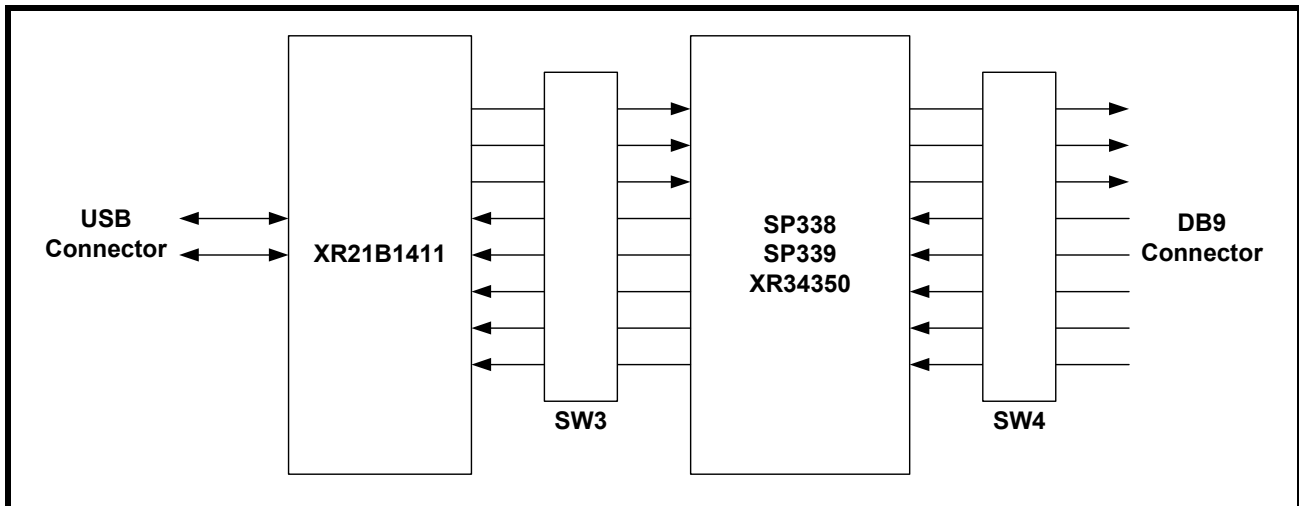
TABLE 1: PACKAGE LIST

DEVICE ORDERING PART NUMBER	EVALUATION BOARD ORDERING PART NUMBER	DEVICE PACKAGE	DEVICE LOCATION
XR34350IL	XR34350ILEVB	40-pin QFN	U3
SP338EER1-L	SP338EER1-0A-EB	40-pin QFN	U3
SP339EER1-L	SP339EER1-0A-EB	40-pin QFN	U3

2.0 EVALUATION BOARD OVERVIEW

A block diagram of the evaluation board is shown in [Figure 1](#) below..

FIGURE 1. EVALUATION BOARD BLOCK DIAGRAM



In addition to the DUT (SP338/SP339/XR34350), there is an Exar XR21B1411 1-ch USB UART on this evaluation board. When shipped from the factory, the SW3 and SW4 switches are off. Therefore, the SP338/339/XR34350 is isolated from both the XR21B1411 and the DB9 connector. To enable the connections between the XR21B1411 and the SP338/339/XR34350, place all switches on SW3 in the ON position. To enable the connections between the SP338/339/XR34350 and the DB9 connector, place all switches on SW4 to the ON position. All SP338/339/XR34350 signals are accessible from the test points on the board. The test points are shown in each figure showing the modes.

2.1 Mode Selection

The modes of the SP338 are selected using the following pins at J23:

- ? Pins 7 & 8 - labeled MODE0 on the board
- ? Pins 9 & 10 - labeled MODE1 on the board
- ? Pins 11 & 12 - labeled MODE2 on the board

Note that the SP339 does not have a MODE2 pin, so the SP339 modes are only controlled via the MODE1 and MODE0 pins.

The SP338/339/XR34350 have internal pull-down resistors on these pins. So the corresponding MODE pins will be '0' unless a jumper is installed on the J23 pins listed above to change the MODE bit to '1'.

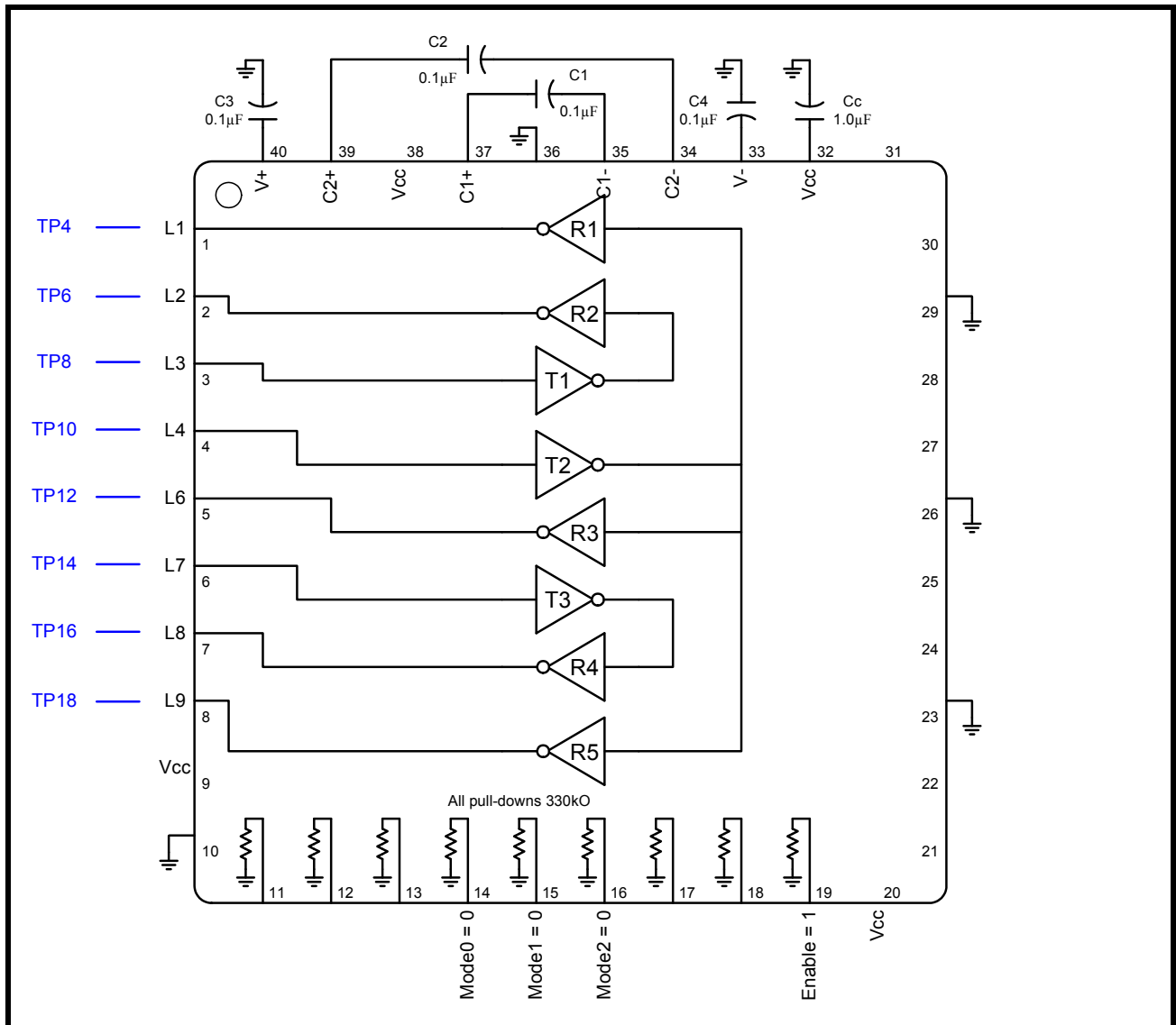
2.1.1 Loopback Mode

Figure 2 below shows the SP338/339/XR34350 configured in the Loopback mode.

- ? J23 Pins 7 & 8 (MODE0) - '0'
- ? J23 Pins 9 & 10 (MODE1) - '0'
- ? J23 Pins 11 & 12 (MODE2) - '0'

This mode can be used for diagnostic purposes.

FIGURE 2. LOOPBACK MODE



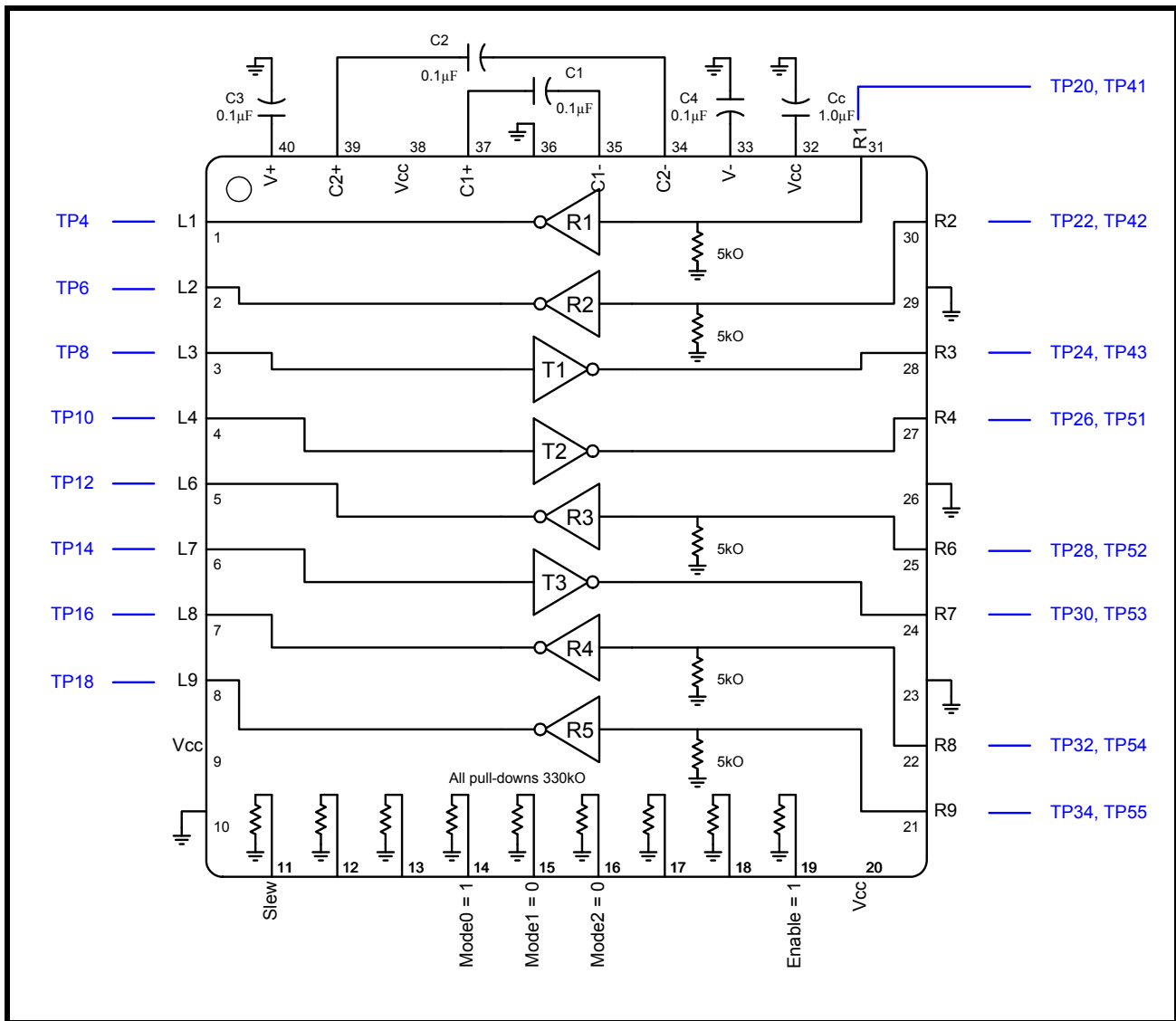
2.1.2 RS-232 Mode

Figure 3 below shows the SP338/339/XR34350 configured in the RS-232 mode.

- ? J23 Pins 7 & 8 (MODE0) - '1' (jumper installed between these pins)
- ? J23 Pins 9 & 10 (MODE1) - '0'
- ? J23 Pins 11 & 12 (MODE2) - '0'

This is the default setting on the evaluation board when shipped from the factory.

FIGURE 3. RS-232 MODE



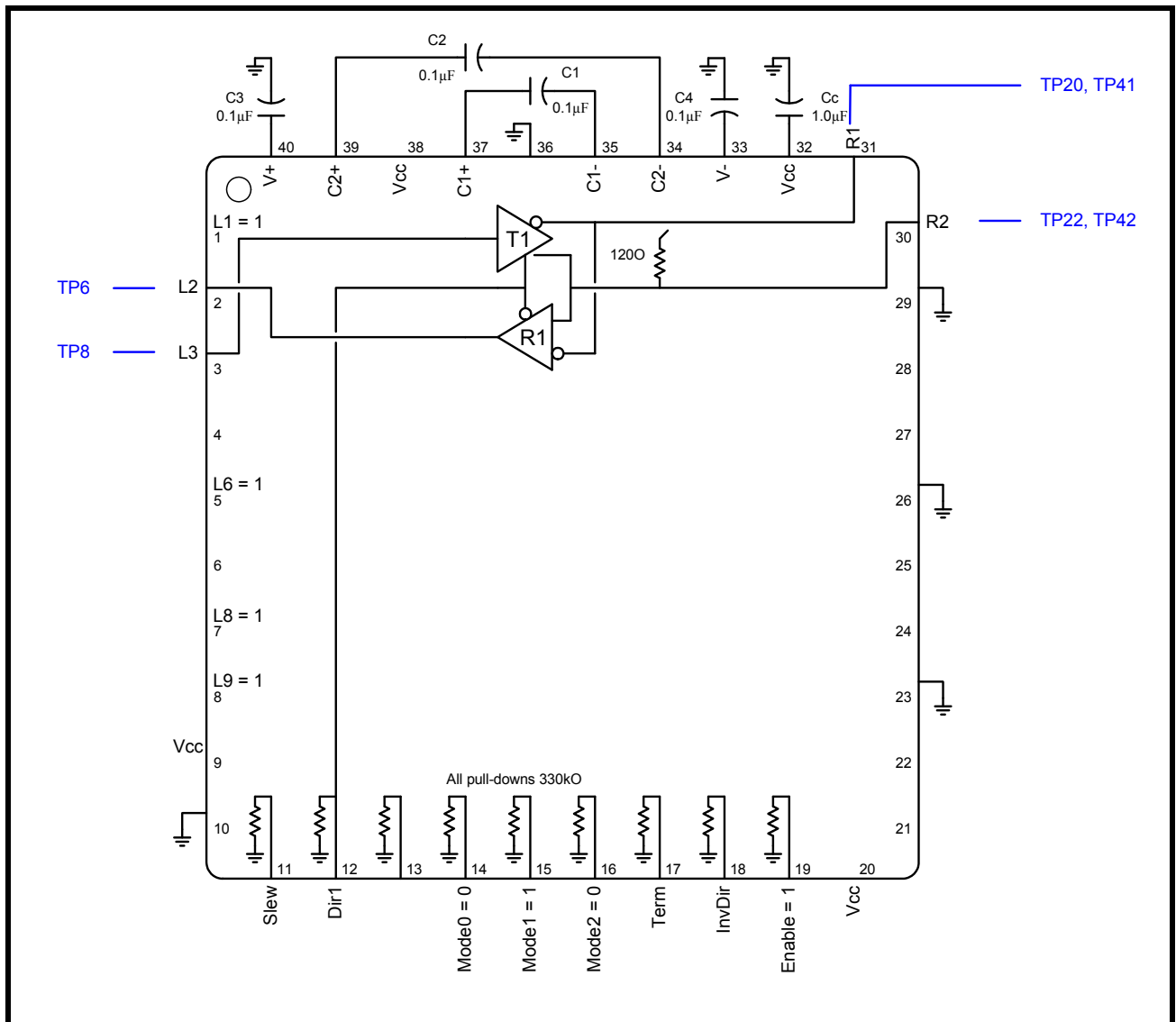
2.1.3 Half-Duplex RS-485 Mode #1

Figure 4 below shows the SP338/339/XR34350 configured in the half-duplex RS-485 mode #1.

- ? J23 Pins 7 & 8 (MODE0) - '0'
- ? J23 Pins 9 & 10 (MODE1) - '1' (jumper installed between these pins)
- ? J23 Pins 11 & 12 (MODE2) - '0'

The RS-485 signals are also accessible at J16.

FIGURE 4. HALF-DUPLEX RS-485 MODE #1



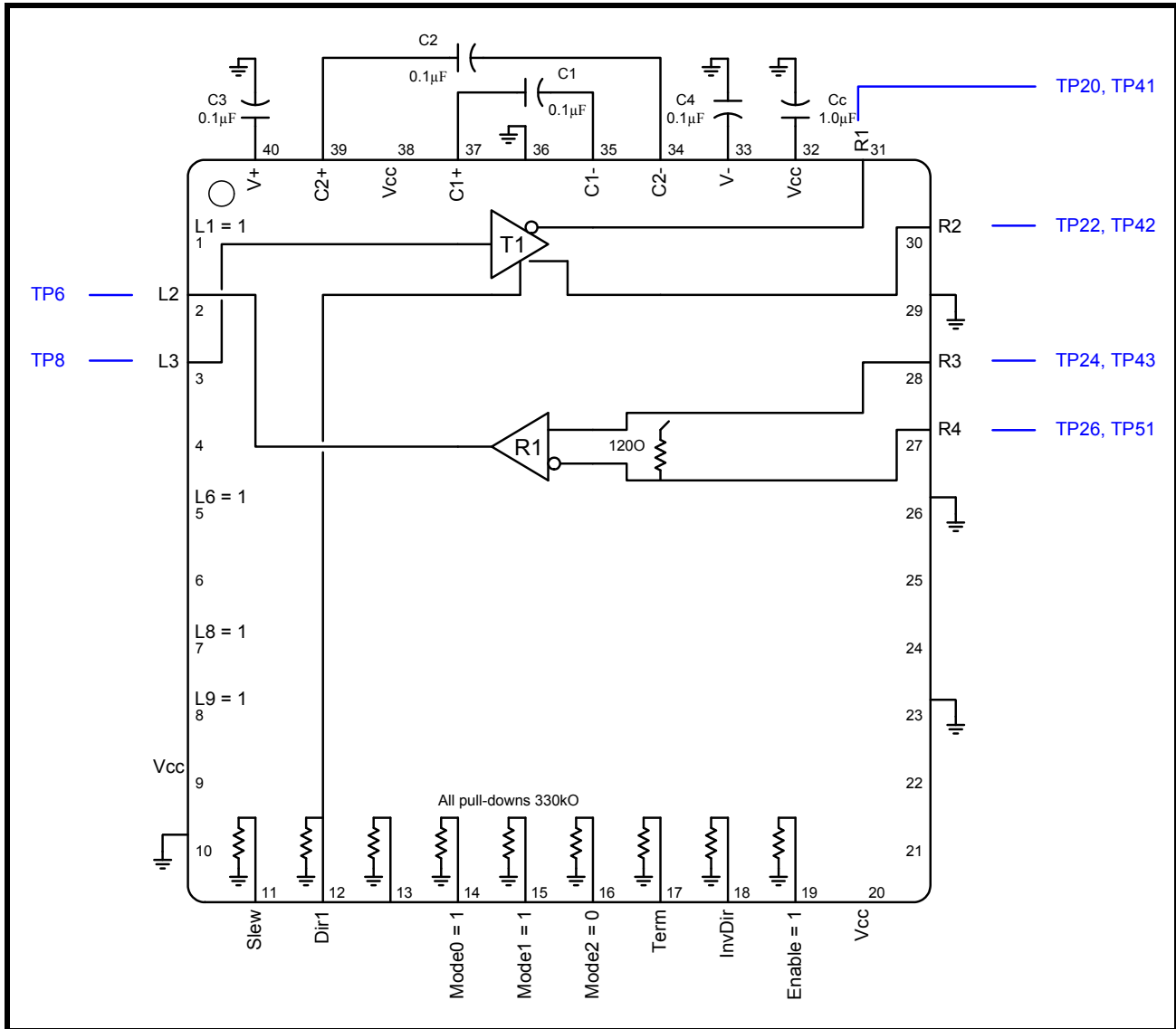
2.1.4 Full-Duplex RS-485/422 Mode #1

Figure 5 below shows the SP338/339/XR34350 configured in the full-duplex RS-485/422 mode #1.

- ? J23 Pins 7 & 8 (MODE0) - '1' (jumper installed between these pins)
- ? J23 Pins 9 & 10 (MODE1) - '1' (jumper installed between these pins)
- ? J23 Pins 11 & 12 (MODE2) - '0'

The RS-485 signals are also accessible at J16.

FIGURE 5. FULL-DUPLEX RS-485 MODE #1



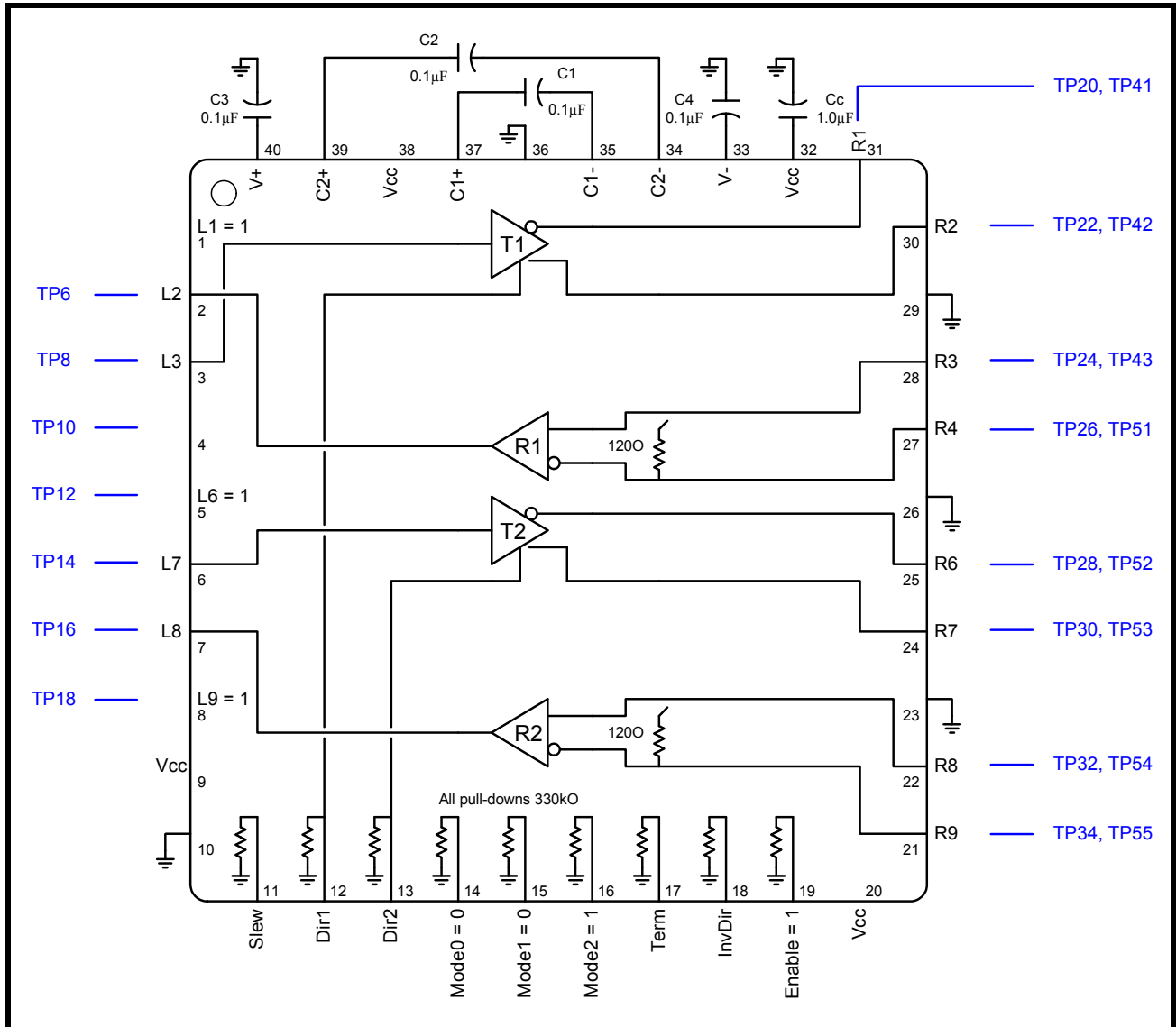
2.1.5 Full-Duplex RS-485 Mode #2 (SP338 only)

Figure 6 below shows the SP338 configured in the full-duplex RS-485 mode #2.

- ? J23 Pins 7 & 8 (MODE0) - '0'
- ? J23 Pins 9 & 10 (MODE1) - '0'
- ? J23 Pins 11 & 12 (MODE2) - '1' (jumper installed between these pins)

The RS-485 signals are also accessible at J16.

FIGURE 6. FULL-DUPLEX RS-485 MODE #2



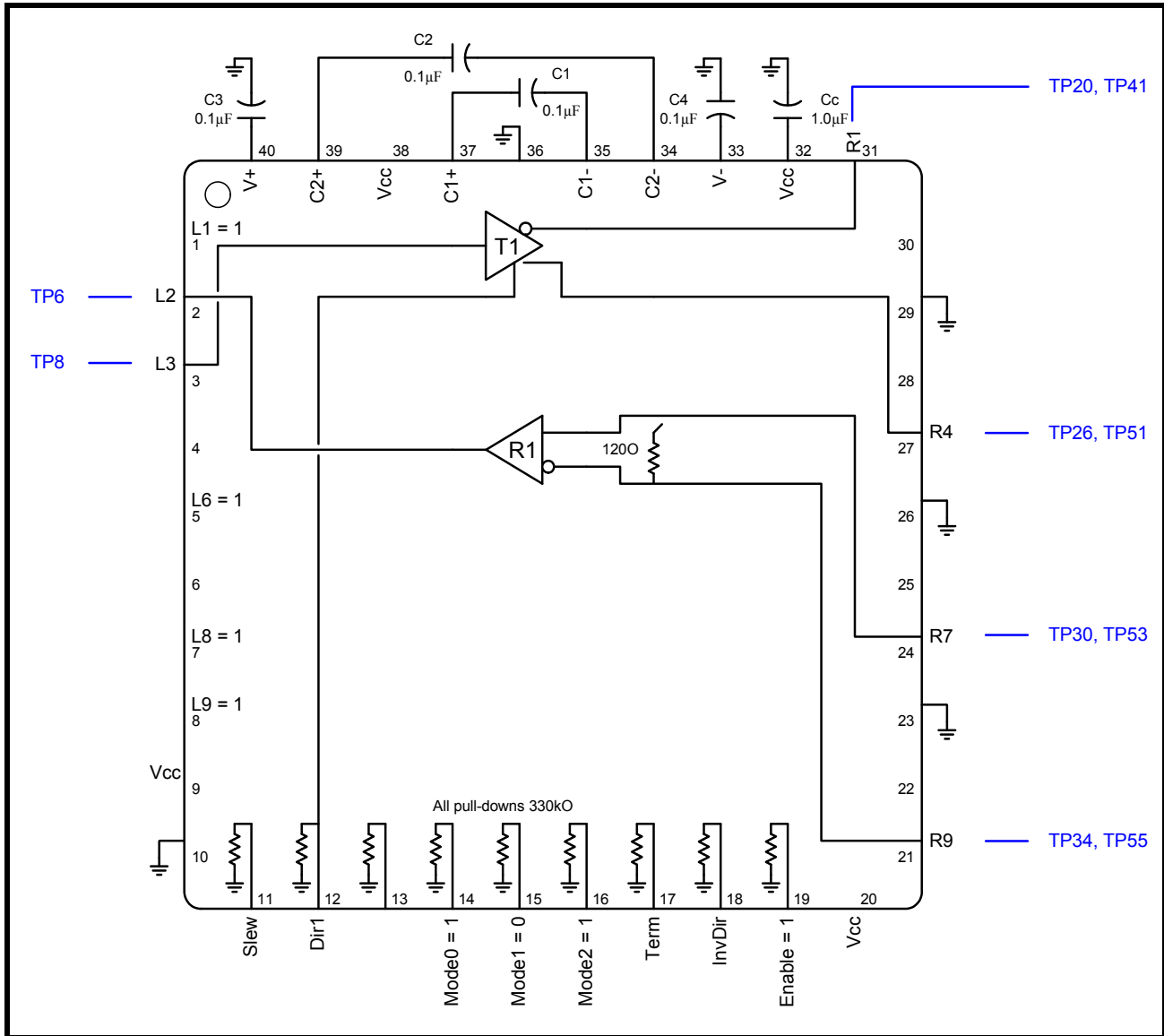
2.1.6 Full-Duplex RS-485/422 Mode #3 (SP338 Only)

Figure 7 below shows the SP338 configured in the full-duplex RS-485/422 mode #3.

- ? J23 Pins 7 & 8 (MODE0) - '1' (jumper installed between these pins)
- ? J23 Pins 9 & 10 (MODE1) - '0' (jumper installed between these pins)
- ? J23 Pins 11 & 12 (MODE2) - '1' (jumper installed between these pins)

The RS-485 signals are also accessible at J16.

FIGURE 7. FULL-DUPLEX RS-485 MODE #3



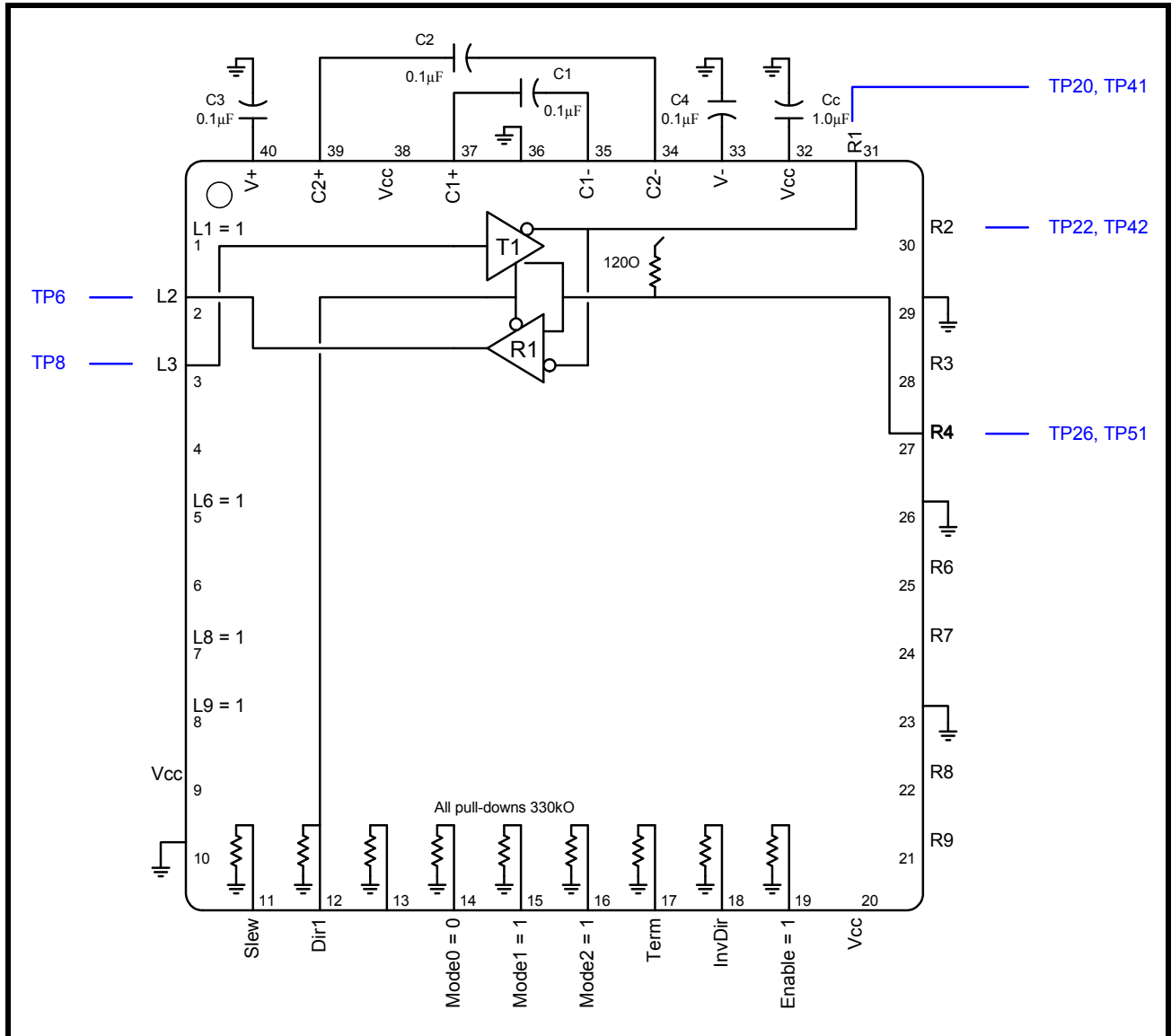
2.1.7 Half-Duplex RS-485 Mode #2 (SP338 Only)

Figure 8 below shows the SP338/339/XR34350 configured in the half-duplex RS-485/422 mode #2.

- ? J23 Pins 7 & 8 (MODE0) - '0'
- ? J23 Pins 9 & 10 (MODE1) - '1' (jumper installed between these pins)
- ? J23 Pins 11 & 12 (MODE2) - '1' (jumper installed between these pins)

The RS-485 signals are also accessible at J16.

FIGURE 8. HALF-DUPLEX RS-485 MODE #2



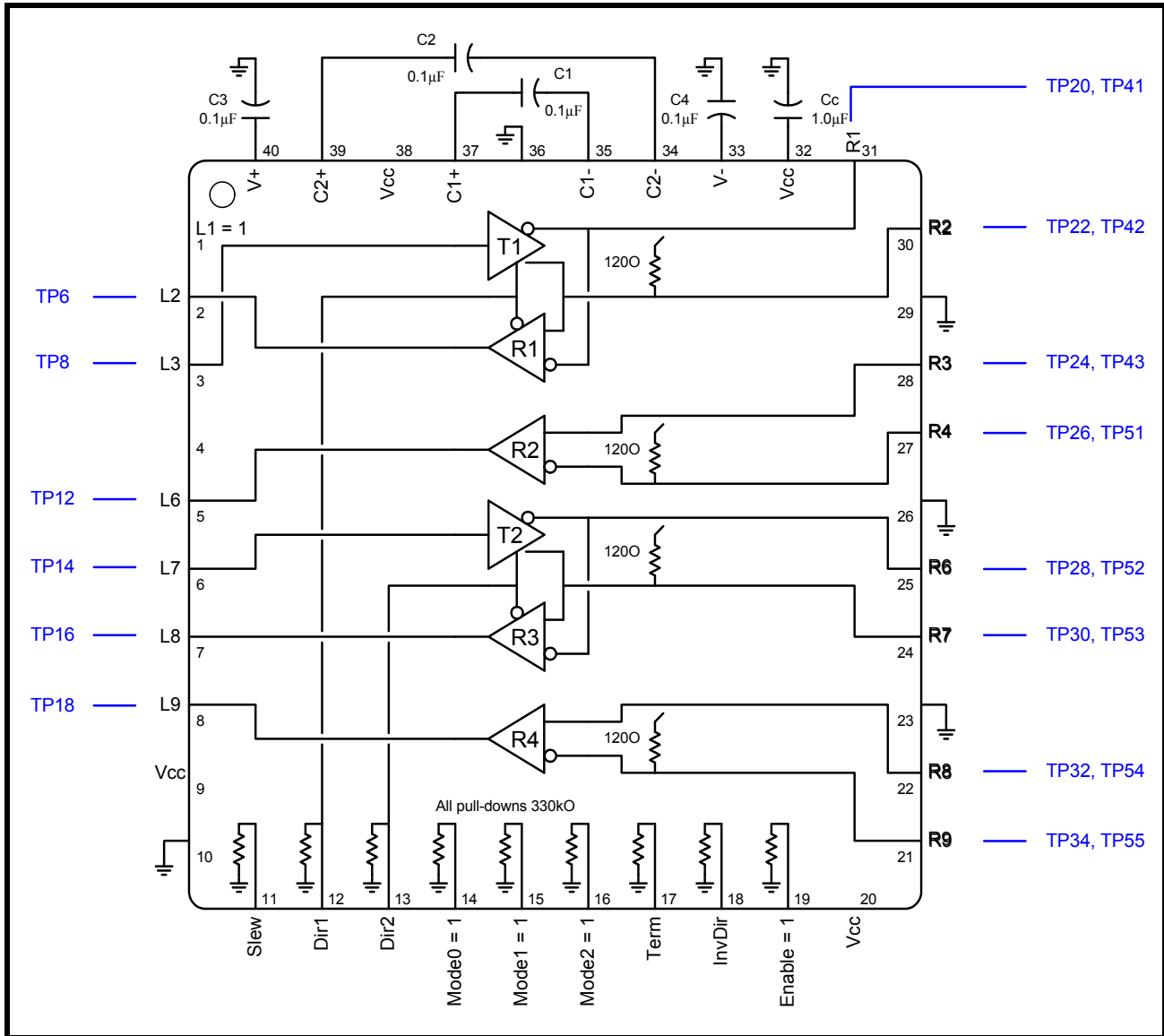
2.1.8 RS-485/422 Mixed Duplex Mode (SP338 Only)

Figure 9 below shows the SP338 configured in the full-duplex RS-485/422 mode.

- ? J23 Pins 7 & 8 (MODE0) - '1' (jumper installed between these pins)
- ? J23 Pins 9 & 10 (MODE1) - '1' (jumper installed between these pins)
- ? J23 Pins 11 & 12 (MODE2) - '1' (jumper installed between these pins)

The RS-485 signals are also accessible at J16.

FIGURE 9. RS-485/422 MIXED DUPLEX MODE





2.2 Additional Control Signals

2.2.1 SLEW

By default, slew rate limiting is disabled. To enable slew rate limiting, place a jumper between J23 pins 1 & 2.

2.2.2 DIR1

This pin is only applicable in the half-duplex and full-duplex RS-485/RS-422 modes. The DIR1 signal can manually be controlled at J23 pins 3 & 4. There's an internal pull-down resistor on this pin. To change the logic level on this pin, install a jumper at J23 pins 3 & 4.

2.2.2.1 Full-Duplex Mode

In the full-duplex modes, this pin enables/disables the T1 differential driver. A logic low disables the T1 differential driver. A logic high enables the T1 differential driver.

2.2.2.2 Half-Duplex Mode

In the half-duplex modes, this pin controls the direction of the T1 different driver or R1 differential receiver. A logic low enables the R1 differential receiver and disables the T1 differential driver. A logic high enables the T1 differential driver and disablesthe R1 differential receiver.

2.2.3 DIR2

This pin is only applicable in the half-duplex and full-duplex RS-485/RS-422 modes. The DIR2 signal can manually be controlled at J23 pins 5 & 6. There is an internal pull-down resistor on this pin. To change the logic level on this pin, install a jumper at J23 pins 5 & 6.

2.2.3.1 Full-Duplex Mode

In the full-duplex modes, this pin enables/disables the T2 differential driver. A logic low disables the T2 differential driver. A logic high enables the T2 differential driver.

2.2.3.2 Half-Duplex Mode

In the half-duplex modes, this pin controls the direction of the T2 different driver or R1 differential receiver. A logic low enables the R2 differential receiver and disables the T2 differential driver. A logic high enables the T2 differential driver and disablesthe R2 differential receiver.

2.2.4 TERM

This pin is only applicable in the half-duplex and full-duplex RS-485/RS-422 modes. The TERM pin enables/disables the internal termination resistor. There is an in internal pull-down resistor on this pin so the internal termination resistor is disabled when there's no jumper across J23 pins 13 & 14. Install a jumper across J23 pins 13 & 14 to enable the internal termination resistor.

2.2.5 INVDIR

This pin is only applicable int he half-duplex and full-duplex RS-485/RS-422 modes. The INVDIR inverts the polarity of the DIR1 and DIR2 pins. This pin has an internal pull-down resistor. The polarity inversion can be enabled by installing a jumper across J23 pins 15 & 16.

2.2.6 ENABLE

This pin enables/disables the SP338/339/XR34350. This pin has an internal pull-down. When shipped from the factory, there will be a jumper installed across J23 pins 17 & 18 to enable the SP338/339/XR34350.

3.0 EVALUATING THE SP338/339/XR34350 TRANSCEIVER ONLY

When evaluating just the SP338/339/XR34350, an external power supply can be used or power from a USB port can be used.

3.1 External Power Supply

An external +3.3V or +5V power supply can be applied at TP2. The USB cable should not be plugged into a USB port and J17 should not be installed. Of course, there should be a common ground between the external power supply and the SP338/339/XR34350.

3.2 USB Powered

If using power from a USB port, select the supply voltage at J4. A jumper across J4 pins 1 & 2 selects the 5V from the USB connector. A jumper across J4 pins 2 & 3 selects the regulated 3.3V output from the SP6260. A jumper across J17 pins 1 & 2 will also need to be installed for power to be supplied to the SP338/339/XR34350. A jumper should also be installed across J2 pins 1 & 2 (or 3 & 4) to ensure that there's a common ground between the USB supplied voltage and the SP338/339/XR34350.

4.0 EVALUATING THE SP338/339/XR34350 WITH THE XR21B1411

The XR21B1411 can be used to pass data through the SP338/339/XR34350. An external power supply can be used or can be powered directly from the USB bus, as described above. A jumper should also be installed across J2 pins 1 & 2 (or 3 & 4) to ensure that there's a common ground between the XR21B1411 and SP338/339/XR34350. To enable the connection between the XR21B1411 and the SP338/339/XR34350, place the switches at SW3 to the ON position. In addition, if the DB9 connector is used, place the switches at SW4 in the ON position. Windows, Linux and Mac drivers for the XR21B1411 can be downloaded from Exar's website. For Windows, a sample USB UART test GUI is also available for download.

4.1 Loopback Mode or RS-232 Mode

The XR21B1411 can transmit and receive data through the SP338/339/XR34350 if the switches at SW3 and SW4 are in the ON position. For RS-232 mode, an external null modem cable or connection is required to transmit and receive data.

4.2 Half-duplex, Full-Duplex and Mixed Duplex RS-485/422 modes

Some additional jumpers are required if there is a requirement to control the DIR1 and/or DIR2 pins from the software driver or application. There should not be any jumpers installed on J23 pins 3 & 4 and pins 5 & 6.

4.2.1 Controlling DIR1 pin using RTS# output pin of XR21B1411

The DIR1 pin can be controlled from the XR21B1411 using the RTS# output pin. To enable the connection between the RTS# pin of the XR21B1411 and the DIR1 pin, install a jumper across J20 pins 1 & 2. If using the Windows 2000/XP/Vista/7/8 driver from Exar's website, the "RS-485" mode can be enabled from the properties page and will be enabled if used with any standard terminal application. Alternatively, the "RS-485" mode can be enabled using the sample USB UART test GUI from Exar's website. When transmitting data, the RTS# pin will be high. While not transmitting data (receiving or idle), the RTS# pin will be low. This feature will work for both the half-duplex RS-485 modes and full-duplex RS-485/422 modes.

4.2.2 Controlling DIR2 pin using DTR# output pin of XR21B1411

The DIR2 pin can be controlled from the XR21B1411 using the DTR# output pin. To enable the connection between the DTR# pin of the XR21B1411 and the DIR2 pin, install a jumper across J21 pins 1 & 2. There's no automatic direction control feature with the DTR# pin. However, the DTR# pin can be controlled manually from the software. The DTR# can use the standard "set DTR" and "clear DTR" APIs in Windows or Linux to set/clear the DTR# pin. The DTR# pin can also be set/cleared by writing directly to the GPIO_SET and GPIO_CLEAR registers using the sample USB UART test GUI from Exar's website.



5.0 DRIVERS AND SUPPORT

For any questions about this evaluation board, software drivers or technical support, send an e-mail to uarttechsupport@exar.com or serialtechsupport@exar.com.

NOTICE

EXAR Corporation reserves the right to make changes to the products contained in this publication in order to improve design, performance or reliability. EXAR Corporation assumes no responsibility for the use of any circuits described herein, conveys no license under any patent or other right, and makes no representation that the circuits are free of patent infringement. Charts and schedules contained here in are only for illustration purposes and may vary depending upon a user's specific application. While the information in this publication has been carefully checked; no responsibility, however, is assumed for inaccuracies.

EXAR Corporation does not recommend the use of any of its products in life support applications where the failure or malfunction of the product can reasonably be expected to cause failure of the life support system or to significantly affect its safety or effectiveness. Products are not authorized for use in such applications unless EXAR Corporation receives, in writing, assurances to its satisfaction that: (a) the risk of injury or damage has been minimized; (b) the user assumes all such risks; (c) potential liability of EXAR Corporation is adequately protected under the circumstances.

Copyright 2016 EXAR Corporation

Datasheet April 2016.

For technical support please email Exar's Serial Technical Support group at: serialtechsupport@exar.com.

Reproduction, in part or whole, without the prior written consent of EXAR Corporation is prohibited.
