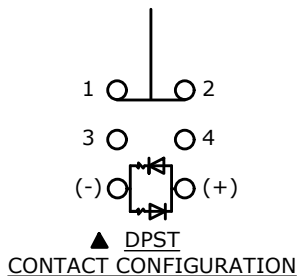
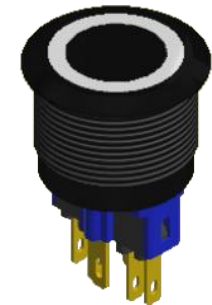
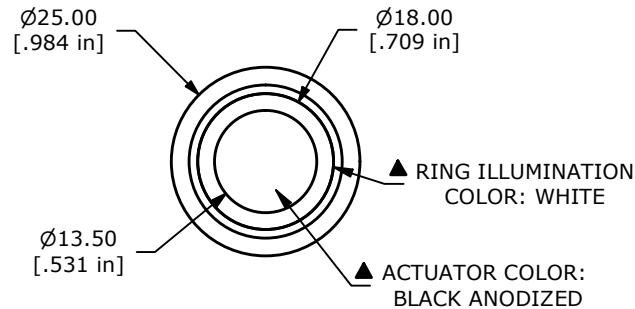


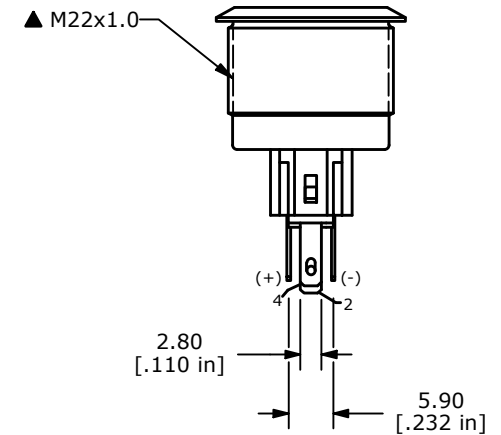
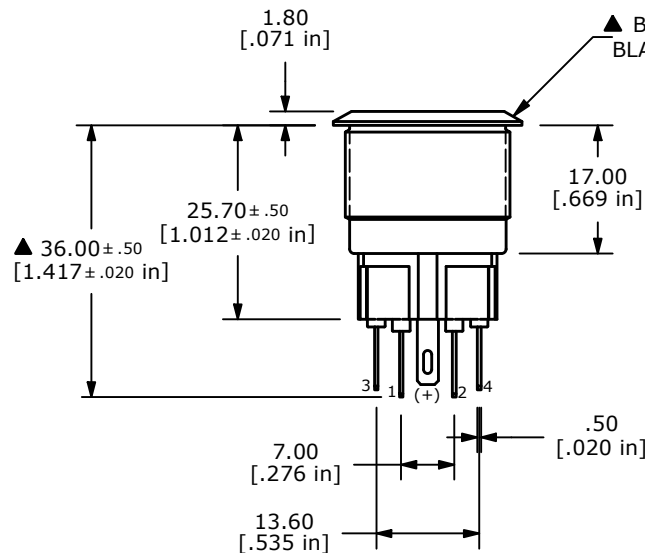
PANEL CUTOUT  
MAX. PANEL THICKNESS 8mm

SWITCH FUNCTION	
POS. 1	POS. 2
1-2 ON 3-4 OFF	1-2 (OFF) 3-4 (ON)

( ) = MOMENTARY



- NOTE:
- ALL DIMENSIONS IN MM [INCH]
  - GENERAL TOLERANCE: X.X = ± 0.4  
X.XX = ± 0.25
  - TERMINAL NOS. FOR REF. ONLY
  - RATING: 2A @ 48VDC
  - CONTACT RESISTANCE: 50mΩ MAX. @ 1A 12VDC
  - INSULATION RESISTANCE: 1,000MΩ @ 500VDC
  - DIELECTRIC STRENGTH: 2,000VAC MIN. FOR 1 MINUTE
  - ELECTRICAL LIFE: 50,000 CYCLES
  - OPERATING TEMPERATURE: -20°C TO 55°C
  - INGRESS PROTECTION: IP65
  - ▲ DENOTES CRITICAL PARAMETER
  - ILLUMINATION VOLTAGE: 24V
  - ILLUMINATION COLOR: WHITE (FORWARD), WHITE (REVERSE)
  - SUPPLIED HARDWARE: O-RING AND HEXNUT



REV	ECO NO	DESCRIPTION	DATE	BY
A	ECO-100191	RELEASE	07/02/21	JM



OBJECT ID  
100117265

TITLE PV7F2Y011-305		SCALE 1:1	DATE 7/1/2021	DR JM	DWG 52-PV7F2Y011305	REV A
------------------------	--	--------------	------------------	----------	------------------------	----------