

6

5

4

3

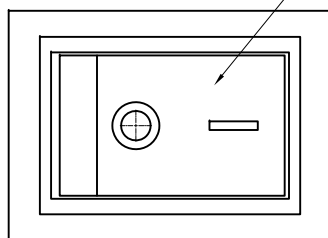
2

1

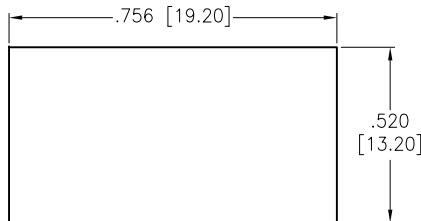
APPROVED: _____

DATE: _____ TITLE: _____

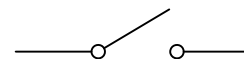
Rev	AWO #	Description	Date	Appr
-		RELEASED	11/4/20	
A		UPDATE SPEC.	8/31/21	WX/RC



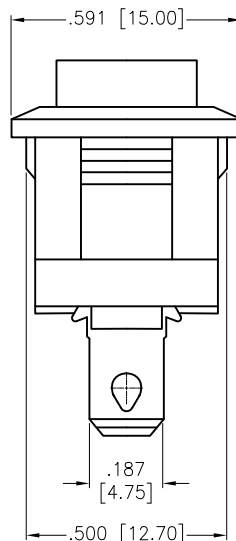
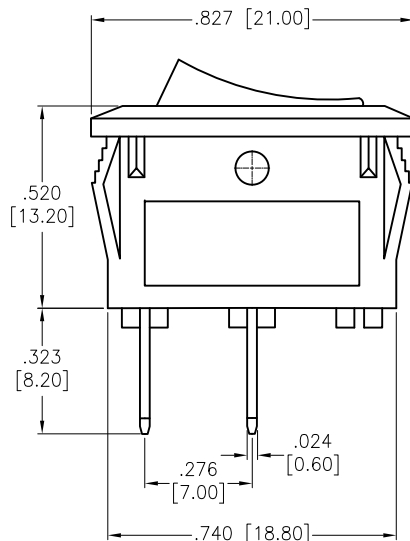
SOLID COLOR WITH WHITE MARKINGS (See Chart)



RECOMMENDED PANEL CUT-OUT



CIRCUIT DIAGRAM (SPST) ON-OFF



SW-R2-1A-F-XX-0

	Actuator Color
BLANK	Standard Black
W	White
R	Red
G	Green
Y	Yellow (Amber)
B	Blue
O	Orange

	Actuator Markings
1	
2	
3	
4	
5	

SPECIFICATIONS:

Body: Nylon 66, Color Black, Rated UL 94V-0

Terminal: Brass, Silver plated

Button: Nylon 66, Solid color, White color markings. (See Chart)

Electrical:

The rated load: 250V AC, 6A

125V AC, 10A

Contact resistance: 50 mohms max

Insulation resistance: 100 Mohms min

Dielectric withstanding voltage: 1500 VAC min

Mechanical:

Electrical life: 10000 Cycles min

Temperature Rating:

Operating temperature: -25°C to +85°C

Environmental:

Lead free, RoHS compliant



Replace "x" in P/N with the corresponding switch color and marking

UNLESS OTHERWISE SPECIFIED ALL DIMENSIONS ARE INCHES [MM]. TOLERANCES: EXCEPT AS NOTED

INCHES		HOLES	
.x	± .10	∅x	± .10
.xx	± .020	∅xx	± .015
.xxx	± .015	∅xxx	± .010



909 Rahway Avenue,
Union, NJ 07083
Phone: 908-687-5000
Fax: 908-687-5710

DRAWN	OW	11/4/20
CHECKED	AC	11/4/20
APPROVED		

TITLE	SWITCH, MINIATURE ROCKER SPST, ON-OFF, QC .187 [4.75MM]	
SIZE	PART NO.	REV.
X	SW-R2-1A-F-XX-0	A

THIS DRAWING CONTAINS INFORMATION THAT IS PROPRIETARY AND SHOULD NOT BE USED WITHOUT PRIOR WRITTEN PERMISSION FROM ADAM TECH

REF:	S00206C	SCALE:	NTS	SHEET	1 OF 1
------	---------	--------	-----	-------	--------

6

5

4

3

2

1