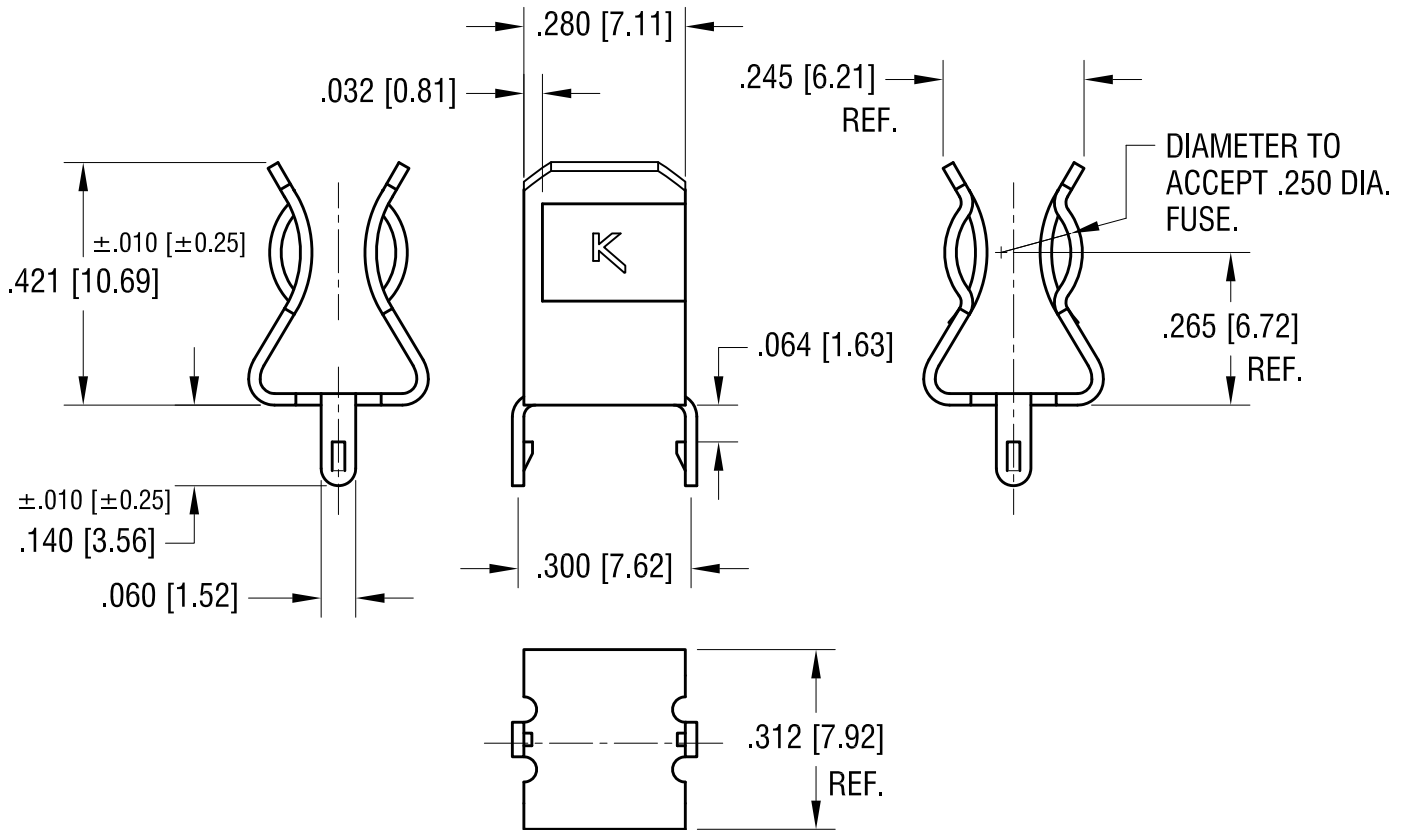
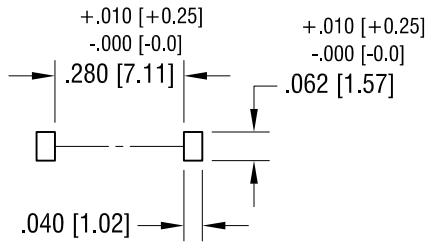


THIS DOCUMENT IS THE PROPERTY OF KEYSTONE ELECTRONICS CORP. AND SHALL NOT BE REPRODUCED, DISTRIBUTED OR USED AS A BASIS FOR MANUFACTURE WITHOUT PRIOR WRITTEN PERMISSION FROM KEYSTONE ELECTRONICS CORP.

**ACTUAL SIZE**



**RECOMMENDED MOUNTING LAYOUT**



**KEY** FILE NUMBER: E354010

12.16.15	CHANGE AS PER ECN 15-145	D
9.12.12	CHANGE AS PER ECN 12-141	C
6.04.09	CHANGE AS PER ECN 09-045	B
5.02.00	CHANGE AS PER ECN 00-028	A
DATE	DESCRIPTION	REV.

<b>KEYSTONE ELECTRONICS CORP.</b>			
www.keyelco.com • NEW HYDE PARK NY 11040 • Tel (516)328-7500			
PART NAME		3AG SNAP-N FUSE CLIP	
MATERIAL		.020 [0.50] TH'K BRASS	
FINISH		DRN BY	DATE
MATTE TIN PLATE		BOONE	2.03.97
		APP'D	SCALE
		<b>MR</b>	3X
TOLERANCES	INCH [MM]	CODE	DWG NO.
DECIMAL	$\pm .005$ [ $\pm 0.13$ ]	C	<b>3515</b>
ANGULAR	$\pm 1^\circ$		
UNLESS OTHERWISE SPECIFIED			