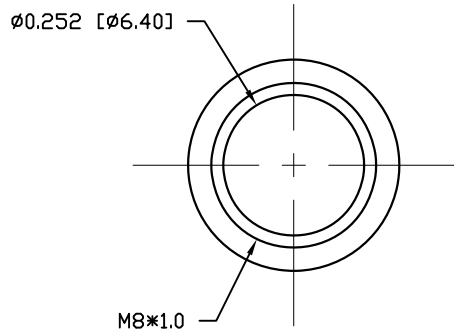
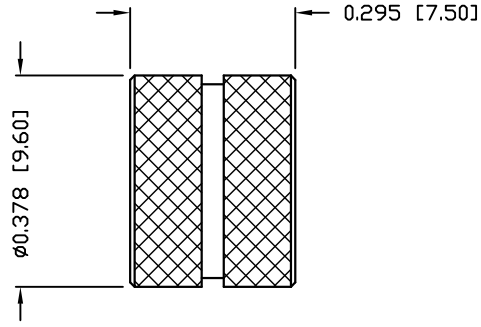


DESCRIPTION: M8 FEMALE - CABLE MOUNT - SOLDER CUP - 5 POS.

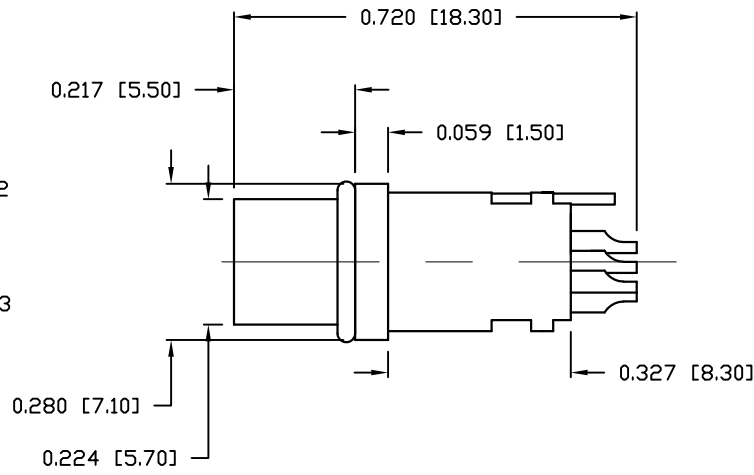
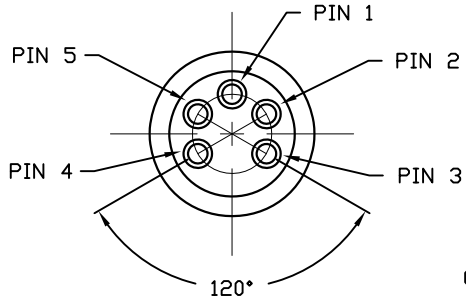


NUT



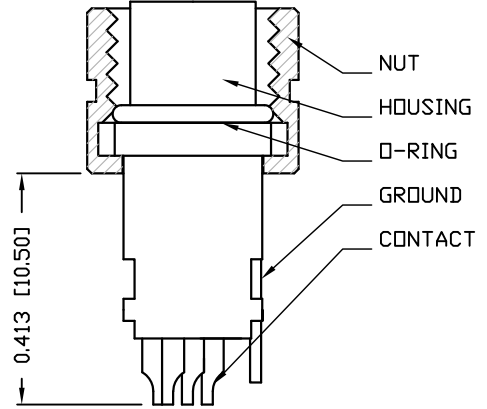
NOTE:

MATERIAL  
 HOUSING: PBT UL94V-0, BLACK  
 CONTACT: BRASS  
 NUT: BRASS  
 GROUND: BRASS  
 O-RING: NBR, BLACK  
 FINISH  
 CONTACT: GOLD PLATED  
 OVER 50u" NICKEL  
 NICKEL PLATED  
 BRIGHT TIN (60u")  
 NUT: NICKEL PLATED  
 GROUND: BRIGHT TIN (60u")  
 ELECTRICAL  
 RATED CURRENT: 1.5A  
 RATED VOLTAGE: 30V  
 INSULATION RESISTANCE: 100 MOhms MIN.  
 CONTACT RESISTANCE: 10 mOhms MAX.  
 WATER PROOF: IP67  
 ENVIRONMENT  
 OPERATION TEMPERATURE: -40°C TO +85°C  
 MAX WIRE AWG: 26



854-005-203RLSY

1 = GOLD FLASH  
 4 = 10u" GOLD



RoHS COMPLIANT

UNITS = INCHES [MM]

DO NOT SCALE FROM DRAWING



THESE DRAWINGS AND SPECIFICATIONS ARE THE PROPERTY OF NorComp AND SHALL NOT BE REPRODUCED, COPIED OR USED AS THE BASIS FOR THE MANUFACTURE OR SALE OF APPARATUS WITHOUT WRITTEN PERMISSION.

DRAWN: M. SIGMON

DATE: 03-04-16

NorComp

SCALE: NTS

SHEET 1 OF 1

REV 5

DWG NO. 854-005-203RLSY