

6

5

4

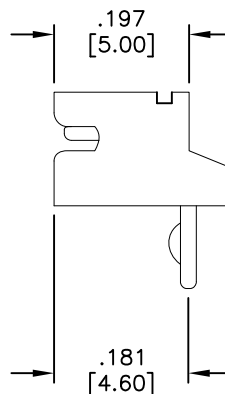
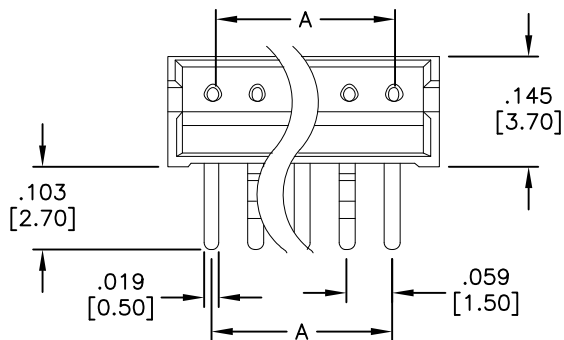
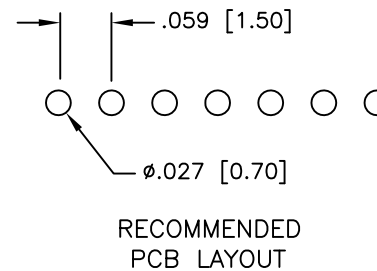
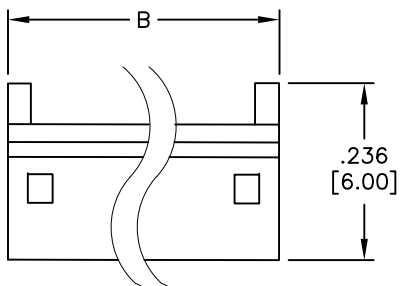
3

2

1

APPROVED: _____
 DATE: _____ TITLE: _____

Rev	AWO #	Description	Date	Appr
-		RELEASED	12/22/08	



SPECIFICATIONS:

Material:
 Insulator: Nylon 66, rated UL 94V-0
 Insulator color: Ivory
 Contacts: Brass

Plating:
 Tin over Nickel underplate overall

Electrical:
 Operating voltage: 100 VAC max
 Current rating: 1.5 Amps max
 Contact resistance: 20 mohms max
 Insulation resistance: 500 Mohms min
 Dielectric withstanding voltage: 500 VAC for 1 minute

Temperature Rating:
 Operating temperature: -25°C to +85°C
 Environmental:
 Lead free, RoHS compliant.



DIMENSIONS

A = .059 [1.50] X No OF POSITIONS - 1
 B = .059 [1.50] X No OF POSITIONS + .059 [1.50]

UNLESS OTHERWISE SPECIFIED ALL DIMENSIONS ARE INCHES [MM] TOLERANCES: EXCEPT AS NOTED		ADAM TECH 909 Rahway Avenue, Union, NJ 07083 Phone: 908-687-5000 Fax: 908-687-5710	
INCHES HOLES			
.X ± .10	Ø.X ± .10	TITLE .059 [1.5mm] HEADER, RIGHT ANGLE	
.XX ± .020	Ø.XX ± .015		
.XXX ± .015	Ø.XXX ± .010		
APPROVALS		DATE	
DRAWN	SS	12/22/08	
CHECKED		SIZE	PART NO.
APPROVED		X	15SH-A-XX-TR
REF:		SCALE: NTS	SHEET 1 OF 1
		REV.	-

6

5

4

3

2

1