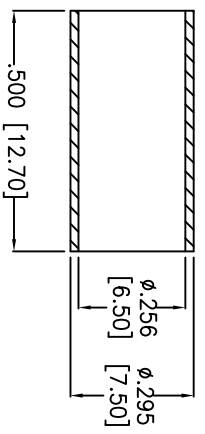
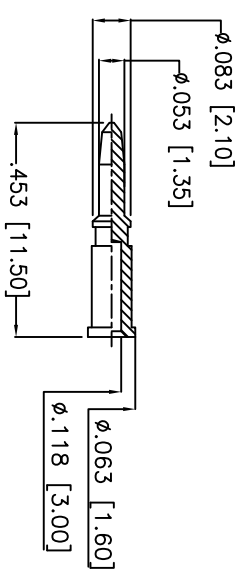
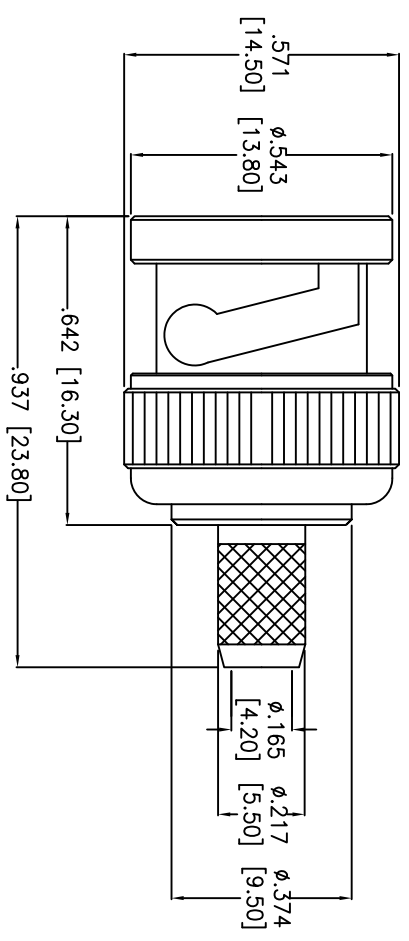


Rev	AWO #	Description	Date	Appr
-		RELEASED	2/12/09	

APPROVED: \_\_\_\_\_  
 DATE: \_\_\_\_\_ TITLE: \_\_\_\_\_



NO	DESCRIPTION	MATERIAL	FINISH	QTY
9	GASKET	RUBBER	ORANGE	1
8	RETAINING RING	SK-5	NICKEL	1
7	SPRING	SK-5	NICKEL	1
6	WASHER	IRON	NICKEL	1
5	SHELL	BRASS	NICKEL	1
4	FERRULE	BRASS	NICKEL	1
3	DIELECTRIC	DELIRIN	NONE	1
2	PIN	BRASS	GOLD	1
1	BODY	BRASS	NICKEL	1

**SPECIFICATIONS:**

**Electrical:**

Impedance: 50 ohms

Frequency range: 0-4 GHz

Working Voltage: 500 VRMS max.

Dielectric Withstanding Voltage: 1500 VRMS min.

Contact Resistance: 3 Milliohms max. (Center Contact)  
 2 Milliohms max. (Outer Contact)

Insulator Resistance: 5000 Megohms min.

Environmental:  
 Lead free, RoHS compliant.

UNLESS OTHERWISE SPECIFIED  
 ALL DIMENSIONS ARE INCHES [MM]  
 TOLERANCES: EXCEPT AS NOTED  
 INCHES  
 .X ± .10 Ø.X ± .10  
 .XX ± .020 Ø.XX ± .015  
 .XXX ± .015 Ø.XXX ± .010

APPROVALS	DATE
DRAWN DY	2/12/09
CHECKED CH	2/12/09
APPROVED	

**ADAM TECH**  
 909 Rahway Avenue, Union, NJ 07083  
 Phone: 908-687-5000 Fax: 908-687-5710

TITLE: BNC MALE CRIMP FOR H155 LMR240

SIZE	PART NO.	REV.
X	RF1-03-D-20-50	

REF: S0001TT SCALE: NTS SHEET 1 OF 1

