

6

5

4

3

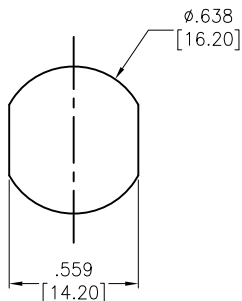
2

1

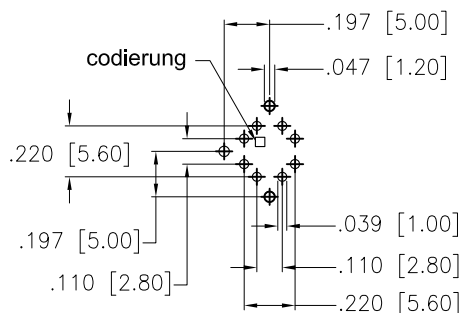
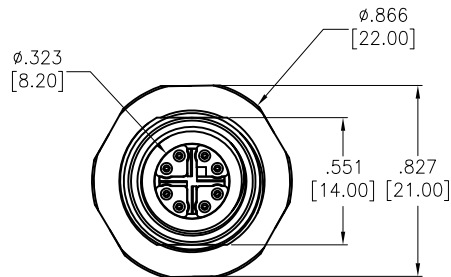
APPROVED: _____

DATE: _____ TITLE: _____

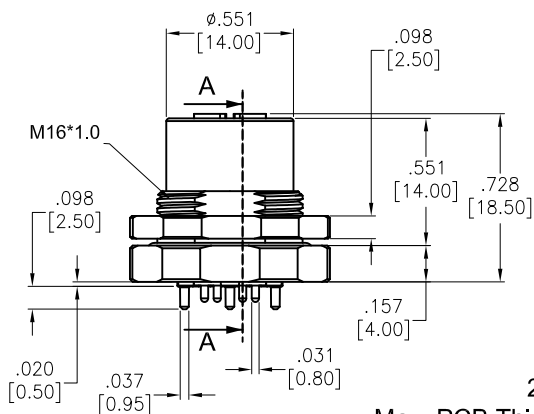
Rev	AWO #	Description	Date	Appr
-		RELEASED	3/5/18	
A		UPDATE DRAWING	5/8/19	AY/KC



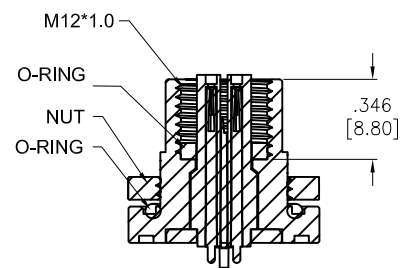
RECOMMENDED PANEL CUT



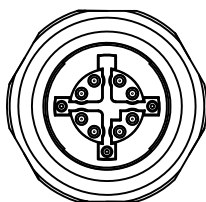
RECOMMENDED PCB LAYOUT



2.3 mm
Max. PCB Thickness



SECTION A-A



SD-MMX08-FFTPH-PX0-001
7=IP67

SHELL	COPPER ALLOY, NICKEL PLATED	
METAL PARTS	COPPER ALLOY	
CONTACT	COPPER ALLOY, CONTACT AREA: 30u" GOLD	
INSULATOR	THERMOSETTING POLYMER	BLACK
PART NAME	DESCRIPTION	COLOR

SPECIFICATIONS:

Electrical:

Operation voltage: 48 VAC (RMS)

Current rating: 0.5 Amp mac

Contact resistance: 5 mohms max

Insulation resistance: 100 Mohms min @ 500 VDC

Dielectric withstanding voltage: 500 VAC for 1 minute

Temperature Rating:

-25°C to +85°C

Environmental:

Lead free, RoHS compliant.



UNLESS OTHERWISE SPECIFIED
ALL DIMENSIONS ARE INCHES [MM]
TOLERANCES: EXCEPT AS NOTED

.X	± .10	∅.X	± .10
.XX	± .020	∅.XX	± .015
.XXX	± .015	∅.XXX	± .010

ADAM TECH
INTERCONNECTS

909 Rahway Avenue,
Union, NJ 07083
Phone: 908-687-5000
Fax: 908-687-5710

APPROVALS		DATE
DRAWN	AY	3/5/18
CHECKED	KC	3/5/18
APPROVED		

TITLE WATERPROOF CONNECTOR, FEMALE, M12 STRAIGHT PCB TYPE, X CODING		
SIZE X	PART NO. SD-MMX08-FFTPH-PX0-001	REV. A
REF: S00013T	SCALE: NTS	SHEET 1 OF 1

6

5

4

3

2

1