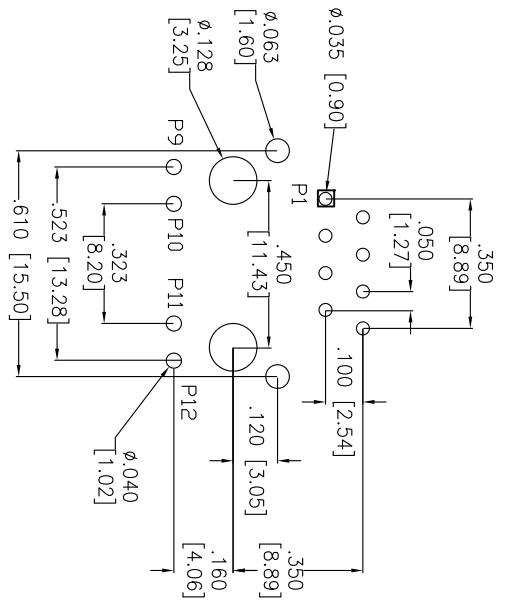
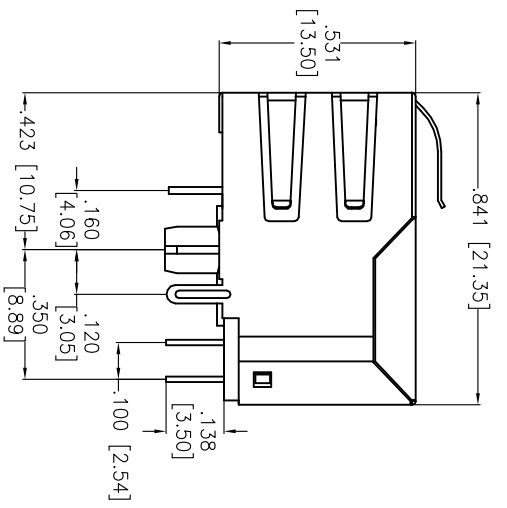
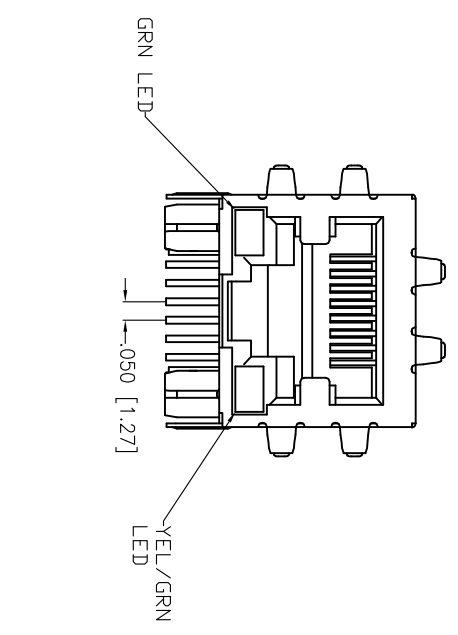
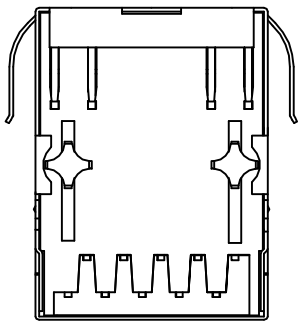


Rev	AWO #	Description	Date	Appr
-		RELEASED	11/9/10	

APPROVED: \_\_\_\_\_  
 DATE: \_\_\_\_\_ TITLE: \_\_\_\_\_



RECOMMENDED PCB LAYOUT



X	PLATING
0	15 μin Gold
1	30 μin Gold
2	50 μin Gold

MODULAR JACK CONFORMS TO CAT 5 REQUIREMENTS

**SPECIFICATIONS:**

Material:

Insulator: PBT, glass reinforced, rated UL 94V-0

Insulator color: Black

Contacts: Copper Alloy

Shield: Copper Alloy, Nickel plated

Contact Plating:

Gold Flash over Nickel underplate on contact area,  
 Tin over Copper underplate on tails  
 (See chart for thickness).

Electrical:

Operating voltage: 150 VAC max

Current rating: 1.5 Amps max

Contact Resistance: 20 mohms max. initial

Insulation resistance: 500 Mohms min @ 500 VDC

Dielectric withstanding voltage: 1000 VAC for 1 minut

Temperature Rating:

Operating temperature: 0°C to +70°C

Environmental:

Lead free, RoHS compliant.  
 Recommended soldering temp: 235°C for 5 sec.



UNLESS OTHERWISE SPECIFIED  
 ALL DIMENSIONS ARE INCHES [MM]  
 TOLERANCES: EXCEPT AS NOTED

INCHES	HOLES
.X ± .10	Ø.X ± .10
.XX ± .020	Ø.XXX ± .015
.XXX ± .015	Ø.XXX ± .010

APPROVALS	DATE
DRAWN DY	11/9/10
CHECKED	
APPROVED	

**ADAM TECH**  
 909 Ratway Avenue, Union, NJ 07083  
 Phone: 908-687-5000 Fax: 908-687-5710

TITLE: MODULAR JACK GANGED, 1 PORT, 8P8C  
 W/ LED 1 GREEN, LED 2 YELLOW / GREEN

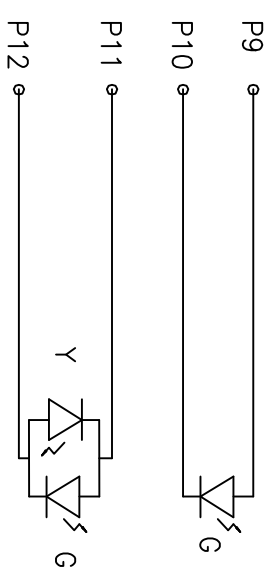
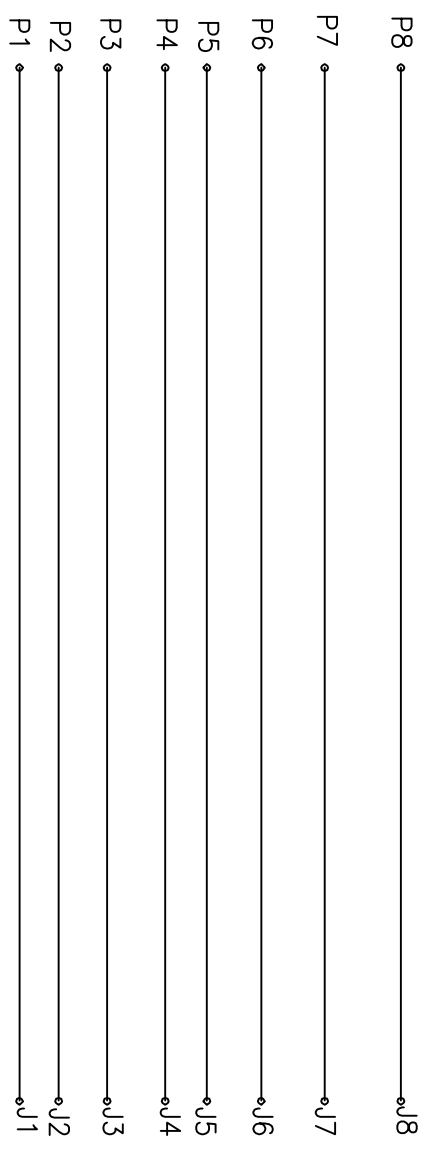
SIZE	PART NO.	REV.
X	MTJ-88TX1-FSD-PG-1V	-

SCALE: NTS SHEET 1 OF 2

Rev	AWO #	Description	Date	Appr
SEE SHT 1 OF 2 FOR REVISION				

APPROVED: \_\_\_\_\_

DATE: \_\_\_\_\_ TITLE: \_\_\_\_\_



Pin	Green	Yellow	Green
P9	+	-	+
P10	-	+	-

UNLESS OTHERWISE SPECIFIED  
ALL DIMENSIONS ARE INCHES [MM]  
TOLERANCES: EXCEPT AS NOTED  
INCHES HOLES  
.X ± .10 Ø.X ± .10  
.XX ± .020 Ø.XXX ± .015  
.XXX ± .015 Ø.XXXX ± .010

**ADAM TECH**  
909 Rahway Avenue, Union, NJ 07083  
Phone: 908-687-5000 Fax: 908-687-5710

TITLE: MODULAR JACK GANGED, 1 PORT, 8P8C  
W/ LED 1 GREEN, LED 2 YELLOW / GREEN

- ELECTRICAL SPECIFICATIONS:
- Dielectric Withstanding: (P1/P3/P5/P7) : (P2/P4/P6/P8) : 5000VAC
  - DC Resistance: (P1~J1) : (P2~J2) : (P3~J3) : (P4~J4) : 1.0 OHMS Max  
(P5~J5) : (P6~J6) : (P7~J7) : (P8~J8) : 1.0 OHMS Max

APPROVALS	DATE
DRAWN DY	11/9/10
CHECKED	
APPROVED	

SIZE	PART NO.	REV.
X	MTJ-88TX1-FSD-PG-LV	-

SCALE: NTS SHEET 2 OF 2