

CONNECT AND PROTECT

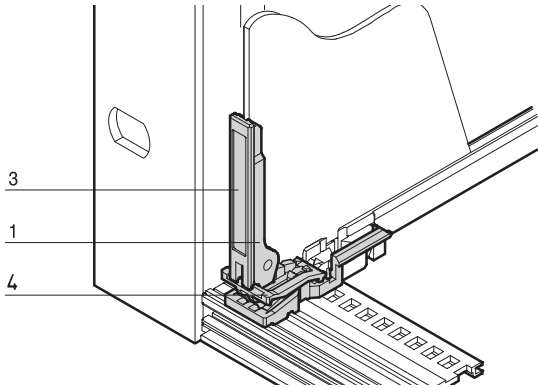
PCB Accessories


nvent

SCHROFF

Modules – PCB accessories

PCB HANDLE

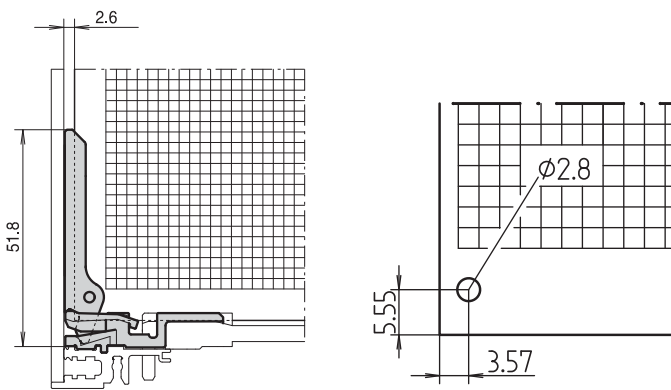


- For europacPRO, multipacPRO, ratiopacPRO, propacPRO and compacPRO
- Mounted behind the front panel
- Insertion and extraction
- Can be labelled
- In accordance with IEC 60297-3-102

ORDER INFORMATION

Item	Description	Material	Colour	Qty/PU	Part no.
1	PCB handle	PBT, UL 94 V-0	red	10	24560-378
3	Identification strip (1 sheet = 438 pieces)	Polyester film, self-adhesive	white/ matt	1	60817-228

BPA45909

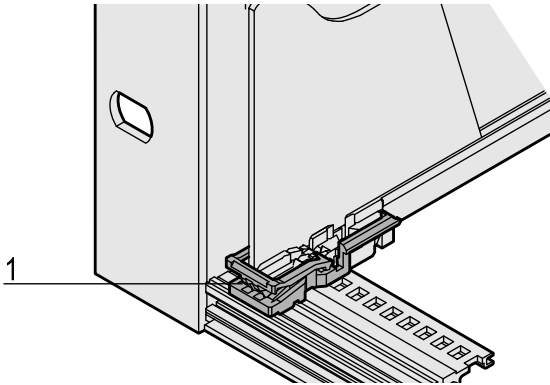


BPA45910 BPA45910

NOTE

- Minimum spacing of guide rail 3 HP
- For board thickness 1.6 mm
- Please order PCB retainer separately
- Can only be used together with guide rail for accessories

PCB RETAINER



- For europacPRO, multipacPRO, ratiopacPRO, propacPRO and compacPRO
- Can also be used without PCB handle
- Application on top and bottom horizontal rail with "accessory" type guide rail

ORDER INFORMATION

Item	Description	Material	Colour	Qty/PU	Part no.
1	PCB retainer	PBT, UL 94 V-0	red	10	24560-377

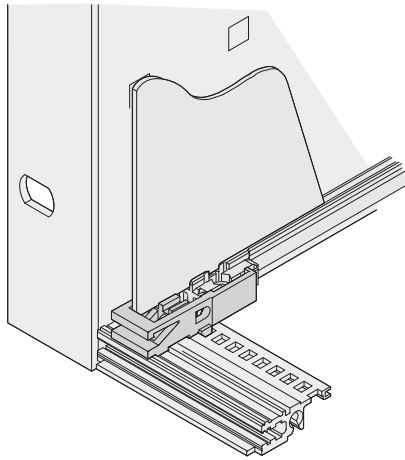
06002057

NOTE

- Minimum spacing of guide rail 3 HP

Modules – PCB accessories

PCB RETAINER



- For fixing PCB
- Can also be used without PCB handle
- Application on top and bottom horizontal rail
- Suitable for PCB handles
- For the combination of EuropacPRO guide rails and the older type PCB handle

ORDER INFORMATION

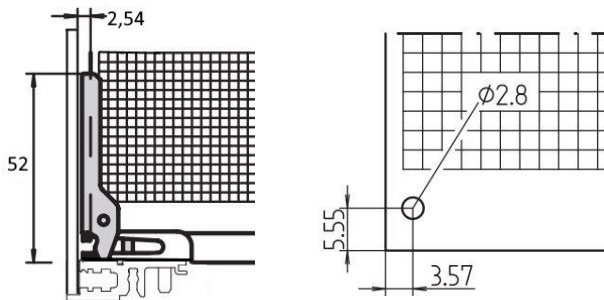
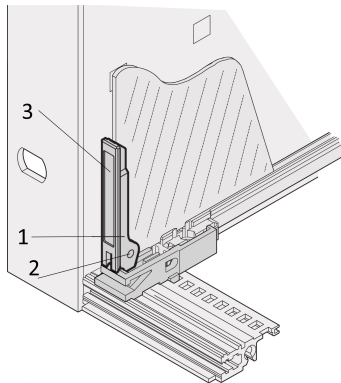
Description	Material	Colour	Qty/PU	Part no.
PCB retainer B1, B2	PPO, UL 94 V-0	red	10	24560-381

NOTE

- Groove width 2 mm

06109050

PCB HANDLE



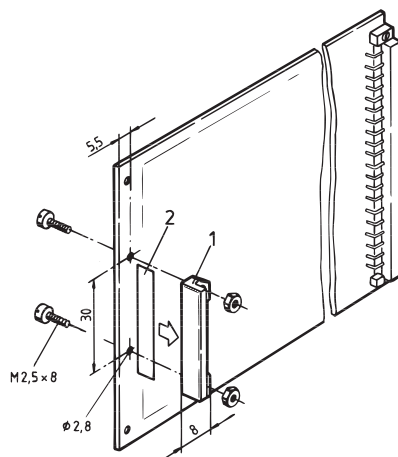
- For the combination of EuropacPRO guide rails and the older type PCB handle
- Can be mounted behind the front panel
- Insertion an extraction function
- Can be labelled
- In accordance with IEC 60297-3-102

ORDER INFORMATION

Item	Description	Material	Colour	Qty	Part no.
1	PCB handle	PBT; UL 94 V-0	red	1 piece (SPQ 10)	60817-096
2	Pivot pin	Stainless steel		100	21100-671
3	Identification strip	Polyester film, self-adhesive	silver	100	21100-672

SPQ (standard pack quantity): Part number includes 1 piece, but delivery is exclusively made in standard pack quantity: Please order at least 10 pieces PCB handles or a multiple

PCB HANDLE, CAN BE BOLTED/RIVETED



- For board thickness 1.6 mm

ORDER INFORMATION

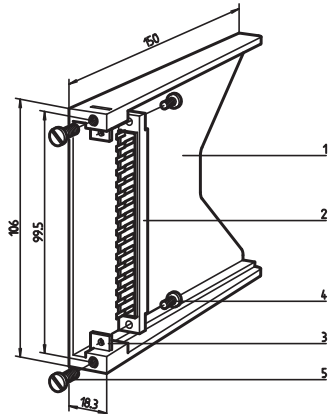
Item	Description	Material	Colour	Qty	Part no.
1	PCB handle, can be bolted/riveted	PC	yellow	1 piece (SPQ 10)	60817-050
2	PCB handle, can be bolted/riveted	PC	red	1 piece (SPQ 10)	60817-051
1	PCB handle, can be bolted/riveted	PC	green	1 piece	60817-052
	Identification strip Item 2, carton, white, 37.5 x 7 x 0.15 mm, 1 sheet = 105 pieces				69000-969
	Pozidrive panhead screw M2.5 x 8, St, nickel-plated, PU 100 pieces				21101-069
	Hexagonal nut A 2.5, nickel-plated, PU 100 pieces				21100-144

A4-1302

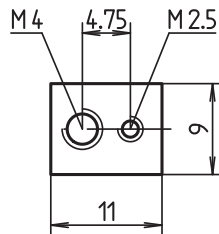
SPQ (standard pack quantity): Part number includes 1 piece, but delivery is exclusively made in standard pack quantity: Please order at least 10 pieces PCB handles or a multiple

Modules – PCB accessories

PCB POCKET



Retention bracket (DIN 41612)



- Accepts PCBs in euroboard format, 100 × 160 mm
- For female connectors to EN 60603 (DIN 41612)

DELIVERY COMPRISES (kit)

Item	Qty	Description
1	1	PCB pocket, PBT (P), grey, UL 94 V-0
3	2	Retention bracket, St, 2 mm, nickel-plated
4	2	Cheesehead screw M2.5 × 6, St, nickel-plated
5	2	Cheesehead screw M4 × 12, St, nickel-plated

ORDER INFORMATION

Item	Description	Material	Colour	Qty/PU	Part no.
1	PCB pocket	PBT (P)	grey	1	20800-032

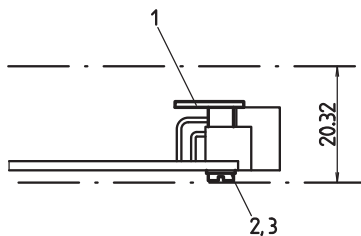
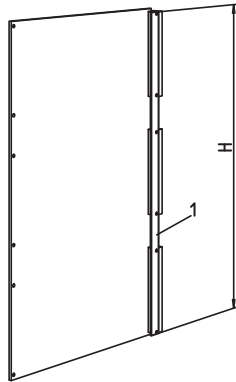
LKA42605

NOTE

- Connector (item 2) see page 11.2

LKA42606

PCB STRENGTHENING (9 U)



- Protects large PCBs from bending
- Creates an additional crossbar (corresponding to IEEE recommendations, P 896, Nubus, Multibus® II etc.) that links all connectors mechanically
- Fixing points match connectors to EN 60603 (DIN 41612), types B, R, C and D

DELIVERY COMPRISES (kit)

Item	Qty	Description
1	1	PCB strengthening, Al extrusion, anodised, cut edges plain; separator, stainless steel, riveted on
2	6	Cheesehead screw M 2.5 × 12, St, nickel-plated
3	6	Washer 2.6, St, nickel-plated

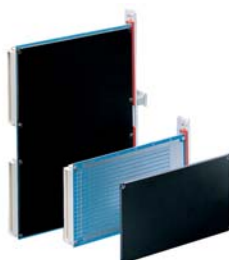
LKA42609

ORDER INFORMATION

Description	Height H mm	Part no.
For 9 U PCBs	361.6	20809-441

LKA42593

PCB COVERS



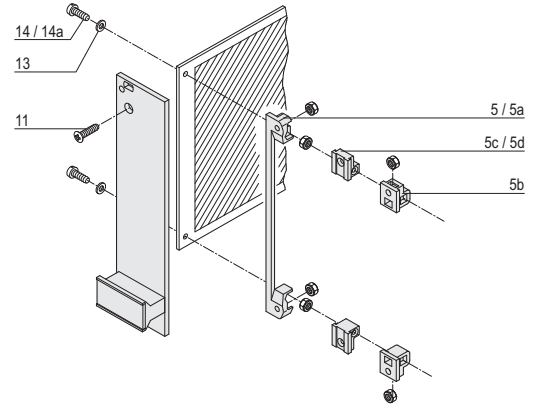
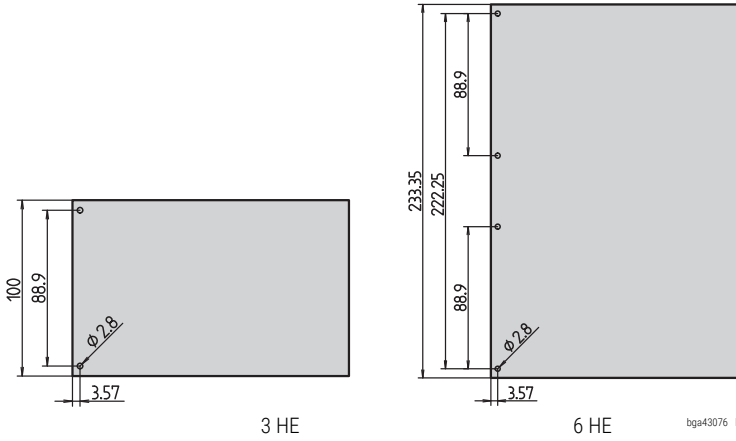
- Covers to protect solder side of board, see page 7.62


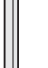



Modules – PCB accessories

INDIVIDUAL COMPONENTS PCB SUPPORT FOR STATIC TRAPEZIFORM HANDLE

FIXING PARTS FOR EXTRACTOR HANDLES IN KEY FORM 2

Drill hole dimensions on PCB

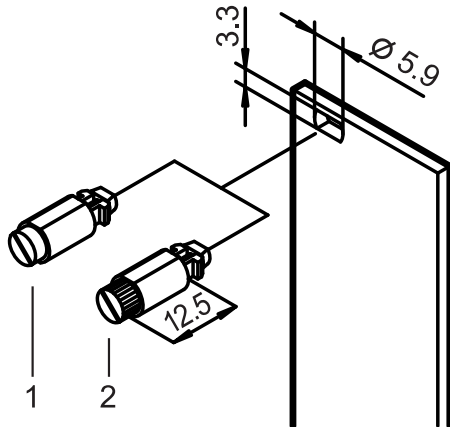


Fixing parts	Item	Image	Required quantity		Qty/PU	Part no.
			3 U	6 U		
PCB bracket 4 clearance holes for front panel/PCB fixing, 4 recesses for hexagon nuts; PBT, UL 94 V-0, red	5		1	2	1 piece (SPQ 10) ¹⁾	60807-011
PCB bracket 4 threads M2.5 for front panel/PCB fixing, PBT, UL 94 V-0, grey, 1 piece	5a	 <small>AZA45177</small>	1	2	1 piece (SPQ 10) ¹⁾	60807-211
PCB bracket Clearance hole for front panel fixing, with recess for hexagon nut, drill hole for self-tapping screw for PCB fixing, PBT, UL 94 V-0, grey, 1 piece	5b	 <small>AZA45177</small>	2	4	1 piece (SPQ 10) ¹⁾	60807-183
PCB bracket 2 threads M2.5 for front panel/PCB fixing, die-cast zinc, 1 piece	5c	 <small>06707050</small>	2	4	1 piece (SPQ 10) ¹⁾	60807-181
PCB bracket Thread M2.5 for front panel fixing, clearance hole for PCB fixing, die-cast zinc, 1 piece	5d	 <small>06707050</small>	2	4	1 piece (SPQ 10) ¹⁾	60807-203

1) SPQ (standard pack quantity): Part number includes 1 piece, but delivery is exclusively made in standard pack quantity (SPQ); please order at least the SPQ quantity or a multiple

Modules – Assembly parts

QUICK-RELEASE FASTENERS



06702062

- Vibration and shock proof
- 1/4 rotary lock with defined stop
- Detection of fastening position through slot position

DELIVERY COMPRISES

Qty	Description
1	Locking pin, St, locking, Zn die-cast
1	Press-in sleeve, POM

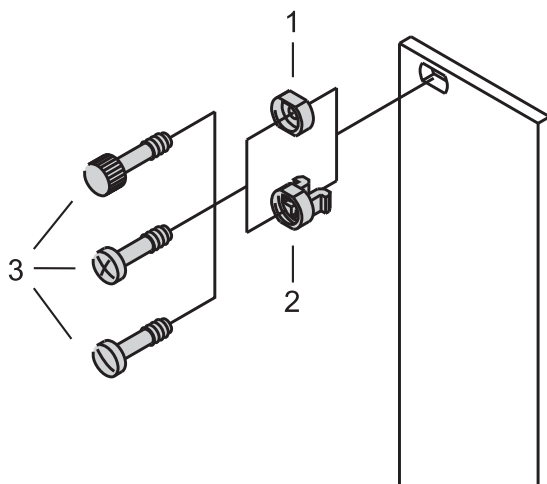
ORDER INFORMATION

Item	Description	Qty/PU	Part no.
1	With slotted head, grey	100	21101-847
1	With slotted head, black	100	21101-848
2	With knurled and slotted head, grey	100	21101-849
2	With knurled and slotted head, black	100	21101-850

NOTE

Quick-release fasteners: mounting without threaded insert

SLEEVES



06702061

ORDER INFORMATION

Item	Description	Application	Qty/PU pieces	Part no.
2	Plastic sleeve, PA, grey	for unshielded front panels	100	21100-464
2	Plastic sleeve, PA, black	for unshielded front panels	100	21100-591
1	Metal sleeve, brass, nickel-plated	for shielded front panels	10	21100-659
1	Metal sleeve, brass, nickel-plated	for shielded front panels	100	21100-660
1	Metal sleeve, brass, black	for shielded front panels	10	21100-885
1	Metal sleeve, brass, black	for shielded front panels	100	21100-886
1	Metal sleeves, stainless steel	for shielded front panels	10	21100-661
1	Metal sleeves, stainless steel	for shielded front panels	100	21100-662

Accessories

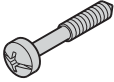
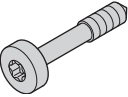
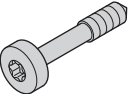
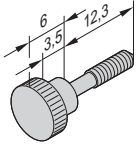
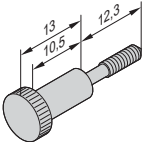
Pozidrive/slotted collar screw M2.5 x 12,3 St, nickel-plated, PU 100 pieces	21101-101
Torx collar screw M2.5 x 12.3, St, nickel-plated, PU 100 pieces	21101-782

NOTE

- Metal sleeves must be pressed-in into front panels
- Sleeve does not fit 2 HP wide front panels



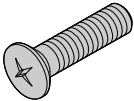
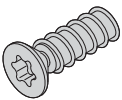
Modules – Assembly parts

COLLAR SCREWS

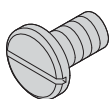
Description	Material	Dimension	Qty/PU	Part no.
 <p>Philips /slotted collar screw</p>	St, nickel-plated (Philips)	M2.5 x 12,3	100	21102-026
 <p>Pozidrive/slotted collar screw</p> <p>AZA46586</p>	St, nickel-plated, (Pozi)	M2.5 x 12.3	100	21101-101
	St, zinc-plated, black (Pozi)	M2.5 x 12.3	100	21101-102
	Stainless steel, (Pozi)	M2.5 x 12.3	100	21101-906
 <p>Torx collar screw</p> <p>AZA45941</p>	St, nickel-plated	M2.5 x 12.3	100	21101-782
	St, zinc-plated, black	M2.5 x 12.3	100	21101-783
 <p>Collar screw with knurled head</p> <p>06709051</p>	Brass, nickel-plated	M2.5 x 12.3	100	21101-749
 <p>Collar screw with knurled head Used with horizontal rails with long lip (H-LD or R-LD)</p> <p>06709052</p>	Brass, nickel-plated	M2.5 x 12.3	100	21101-909

Modules – Assembly parts

COUNTERSUNK SCREWS

Description	Material	Dimension	Qty/PU	Part no.
 <p>PoziDrive countersunk screw</p> <p><small>az245182</small></p>	St, nickel-plated	M2.5 x 6	100	21100-515
	St, nickel-plated	M2.5 x 12	100	21100-507
 <p>Torx countersunk screw</p> <p><small>AZA46585</small></p>	St, zinc-plated	M4 x 5	100	24560-139
	St, zinc-plated	M4 x 14	100	24560-145
 <p>Raised PoziDrive countersunk screw</p> <p><small>06702056</small></p>	St, nickel-plated	M2.5 x 8	100	21100-429
	St, nickel-plated	M2.5 x 10	100	21100-500
	St, zinc-plated, black	M2.5 x 10	100	21100-649
 <p>Torx countersunk screw, self-tapping</p> <p><small>06707057</small></p>	St, nickel-plated	M3 x 8	100	21100-542
	St, zinc-plated	2.5 x 7.7	100	24560-158

SCREWS FOR PLUG-IN UNITS



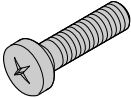
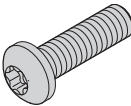
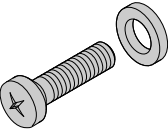
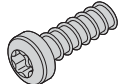
06706053

ORDER INFORMATION

Description	Qty/PU	Part no.
Slotted flathead screw, 6-32 UNC x 6	100	21100-712

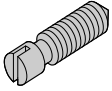
Modules – Assembly parts

PANHEAD SCREWS



Description	Material	Dimension	Qty/PU	Part no.
 <p>Pozidrive panhead screw</p> <p>06702057</p>	St, nickel-plated	M2.5 x 5	100	21101-314
	St, nickel-plated	M2.5 x 6	100	21101-219
	St, nickel-plated	M2.5 x 8	100	21101-069
	St, nickel-plated	M2.5 x 10	100	21101-220
	St, nickel-plated	M2.5 x 12	100	21101-221
	St, nickel-plated	M2.5 x 16	100	21101-222
	St, zinc-plated	M5 x 12	100	21100-788
 <p>Torx panhead screw</p> <p>AZA45940</p>	St, zinc-plated	M2.5 x 6	100	24560-159
	St, nickel-plated	M2.5 x 7	100	24560-147
	St, nickel-plated	M2.5 x 10	100	24560-148
	St, nickel-plated	M2.5 x 12	100	24560-161
	St, nickel-plated	M2.5 x 14	100	24560-162
	St, zinc-plated	M4 x 6	100	24560-135
	St, zinc-plated	M4 x 6	100	24560-151
 <p>Screw + securing washer (PA)</p> <p>06702051</p>	St, nickel-plated	M2.5 x 12	100	21100-777
	St, zinc-plated, black	2.5 x 7.3	100	24560-157
 <p>Torx panhead screw, self-tapping</p> <p>06702058</p>	St, zinc-plated	2.5 x 9.3	100	24560-141

Modules – Assembly parts


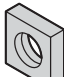

GRUB SCREWS

Description	Material	Dimension	Qty/PU	Part no.
 Grub screw <small>06702053</small>	Stainless steel	M2.5 x 9	100	21101-359
	St, nickel-plated	M2.5 x 8	100	21100-276
	St, zinc-plated	M3.0 x 8	100	21100-646

WASHERS

Description	Material	Dimension	Qty/PU	Part no.
 Washer <small>AZA45178</small>	Plastic, PA	2.7 x 5 x 1	100	21101-121
	Plastic, PA	2.8 x 6,3 x 2	100	21101-964
	St, nickel-plated	A2.7 DIN 125	100	21100-721
 Shakeproof washer <small>AZA45180</small>	St, nickel-plated	A 2.6	100	21100-142

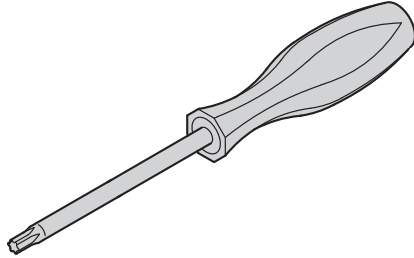
NUTS

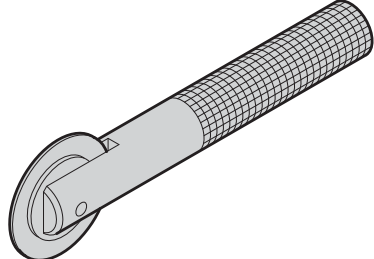
Description	Material	Dimension	Qty/PU	Part no.
 Hexagon nut <small>AZA43239</small>	St, nickel-plated	M2.5	100	21100-144
 Square nut <small>06707050</small>	St, nickel-plated	M2.5	100	21100-359
 Square nut <small>AZA45921</small>	St, zinc-plated	M4	100	24560-140

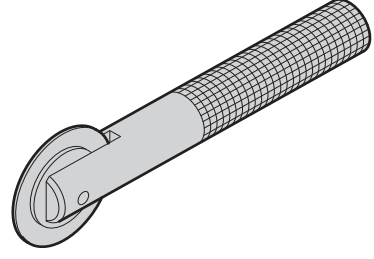
Modules – Assembly parts

ASSEMBLY TOOLS

ORDER INFORMATION

Description	Application	Dimension	Qty/PU	Part no.
 <p>AZA45925</p>	For M2.5 screw	T8	1	64560-026
	For M3 screw	T10	1	64560-230
	For M4 screw	T20	1	64560-026

 <p>az245938</p>	Assembly tool	Exclusively to fix stainless steel EMC gaskets in horizontal rails	–	1	24560-271
--	---------------	--	---	---	------------------

 <p>az245937</p>	Assembly tool	To fix stainless steel EMC gaskets on front panels with lateral slot	–	1	24560-270
---	---------------	--	---	---	------------------

NOTE

- Assembly tool to insert keying/coding pegs in guide rails is available on request

MEASURING TAPE



- Measuring tape with cm, U-, HP-division (length 2 m)
- Plastic housing, metal measuring tape with automatic collection

ORDER INFORMATION

Description	Part no.
Measuring tape	89009-001

North America

Warwick, RI, USA

Tel +1.800.525.4682

San Diego, CA, USA

Tel +1.800.854.7086

Europe, Middle East & India

Straubenhardt, Germany

Tel +49 7082 794 0

Betschdorf, France

Tel +33 3 88 90 64 90

Warsaw, Poland

Tel +48 22 209 98 35

Hemel Hempstead,

Great Britain

Tel +44 1442 24 04 71

Lainate, Italy

Tel +39 02 932 714 1

Dubai, United Arab Emirates

Tel +971 4 37 81 700

Bangalore, India

Tel +91 80 67152000

Istanbul, Turkey

Tel +90 216 250 7374

Asia Pacific

Shanghai, China

Tel +86 21 2412 6943

Singapore

Tel +65 6768 5800

Shin-Yokohama, Japan

Tel +81 45 476 0271

Our powerful portfolio of brands:

CADDY ERICO HOFFMAN RAYCHEM SCHROFF TRACER



[nVent.com/SCHROFF](https://www.nVent.com/SCHROFF)