



520 Park East Blvd., New Albany, IN 47150 U.S.A
(812)-944-6733 / 1-800-SAMTEC9

Product Change Notification

1. ECR #: 172748
Notification #: 426

2. Date of Announcement: December 11, 2018

3. Series:

- IPBD - Power Cable Connector
- PMSD - .165 SOCKET DISCREET CABLE ASSEMBLY
- PMSDT - .165 SOCKET DISCREET CABLE ASSEMBLY

4. Part #'s Affected

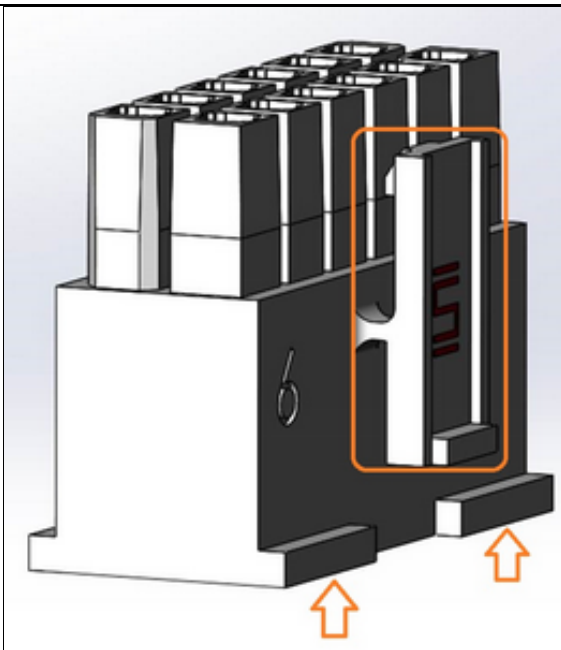
- IPBD-XX-D-X-X
- PMSD-XX-XXXX-X-XX.XX-X-XXX
- PMSDT-XX-XXXX-X-XX.XX-X-XXX

5. Description of Change:

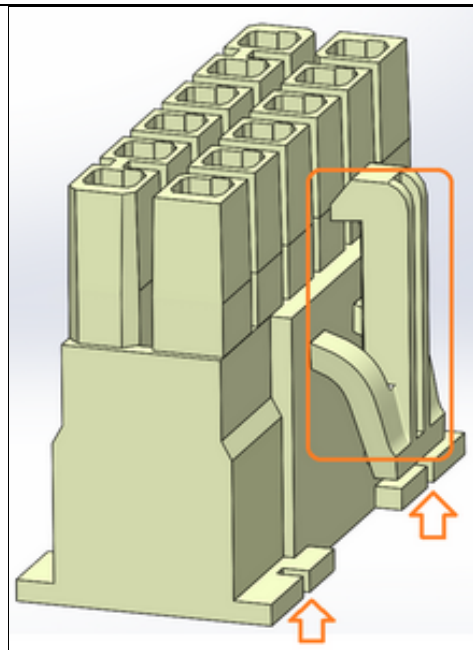
Samtec is revising the geometry and material for IPBD-D to improve latch functionality

6. Method of Identifying Change

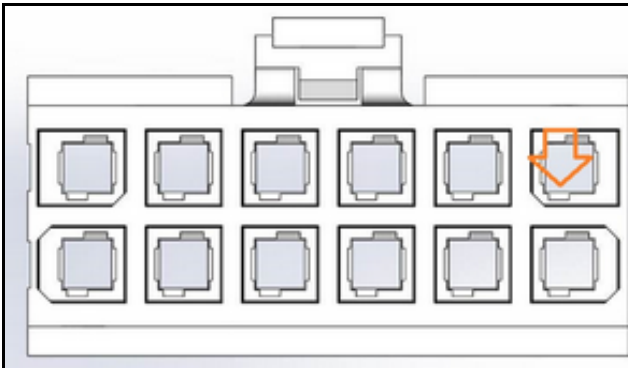
Visual difference in latch geometry.



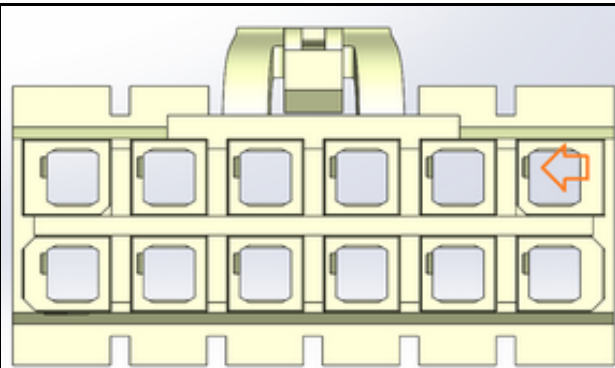
Existing Design



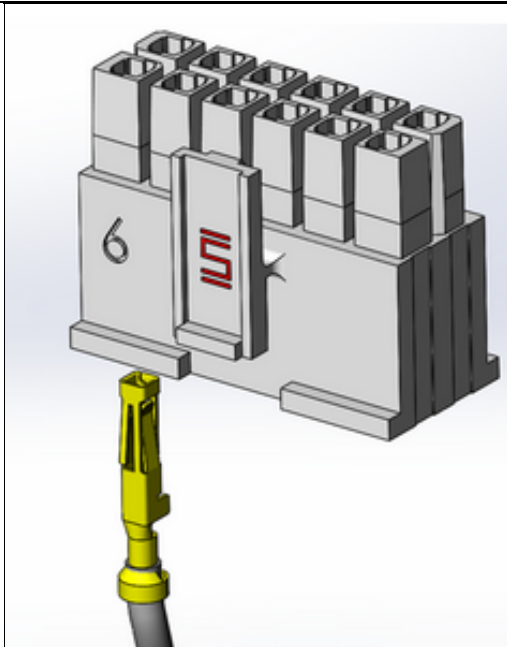
Updated Design



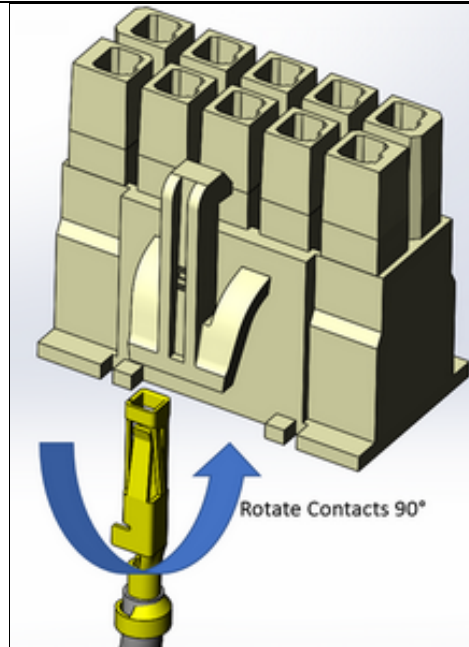
Existing Design



Updated Design



Existing Design



Updated Design

7. Reason for Change:

Some customers have reported latch breakage on this series. In order to improve the durability of the latch, Samtec has released an updated version of the plastic body that will eliminate the issues with latch breakage. The force/distance to latch and unlatch the mated pair does not change. The force required to actuate the latch also remains the same. Void coring between contact posts was increased to optimize for the new material, however there is no effect to the end application. No changes are required to mate with previous revision connectors, however customers who purchase IPBD bodies and perform crimp and poke field termination will need to rotate the crimped contact 90 degrees for proper insertion. In addition to the geometry of the latch, the material change from PBT to nylon was also necessary to prevent latch breakage. The change in material results in a change in the UL-94 flammability rating from V0 to V2, which is consistent with other Samtec series within this product family, including IPD1 and MMSD. For customers who accept the change, no further action is required. Customers who cannot accept the change to the body and latch may contact CustomerECN@samtec.com to arrange for a custom part# setup, allowing continued purchase of the previous revision design for a limited time.

8. Impact of Change on Form, Fit, or Function:

- Form - Latch geometry change
- Form - Increased void coring between towers
- Form - Notches added on base on connector
- Form - Material is switching from PBT to nylon. Bodies are slightly different in color. New bodies are

off-white/cream colored. Previous revision bodies are colored white

- Fit - Customers who purchase IPBD bodies and perform crimp and poke assembly will need to rotate the crimped contact 90 degrees for proper insertion.
- Function - The UL-94 flammability rating was changed from V0 to V2. This is consistent with other Samtec series within this product family, including IPD1 and MMSD..

9. Projected Implementation Date: November 11, 2018

Disclaimer

Please review the change notification details listed above for specific information regarding the nature and timing of the change. While Samtec has taken precautions to ensure this change is not detrimental to your application, each application can be unique and therefore customers should consider the effect of the change on their specific application.

Samtec has taken efforts to ensure that all users of this product who have requested change notifications have been informed. However, you should assume that this is the only notification that will be sent and you, as the recipient, must determine how to communicate this information to your organization(s) and customer(s) as appropriate. If you wish to opt out of receiving Samtec Engineering Change Notification emails, please contact CustomerECN@samtec.com. Due to technical progress, specifications are subject to change without notification and it is recommended to provide an alternative contact when opting out.

Please contact Samtec at CustomerECN@samtec.com for any questions related to this change.