

6

5

4

3

2

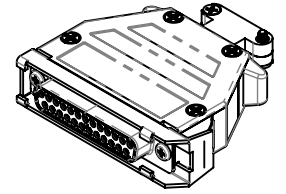
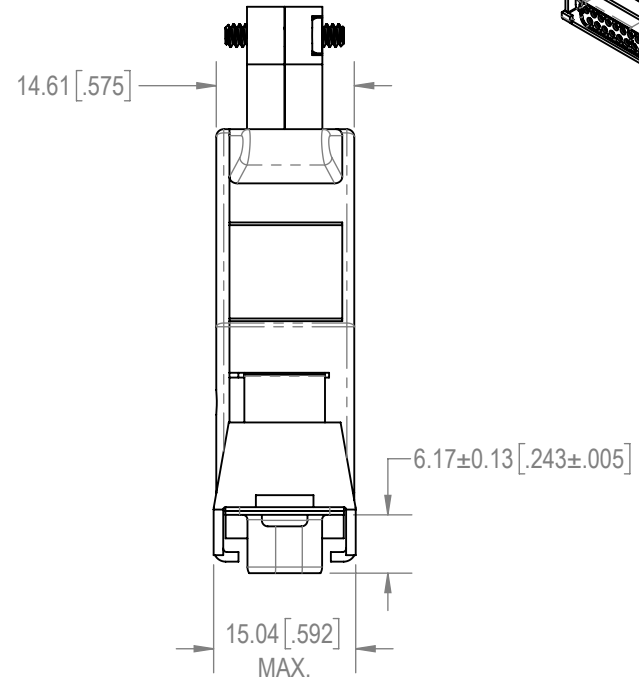
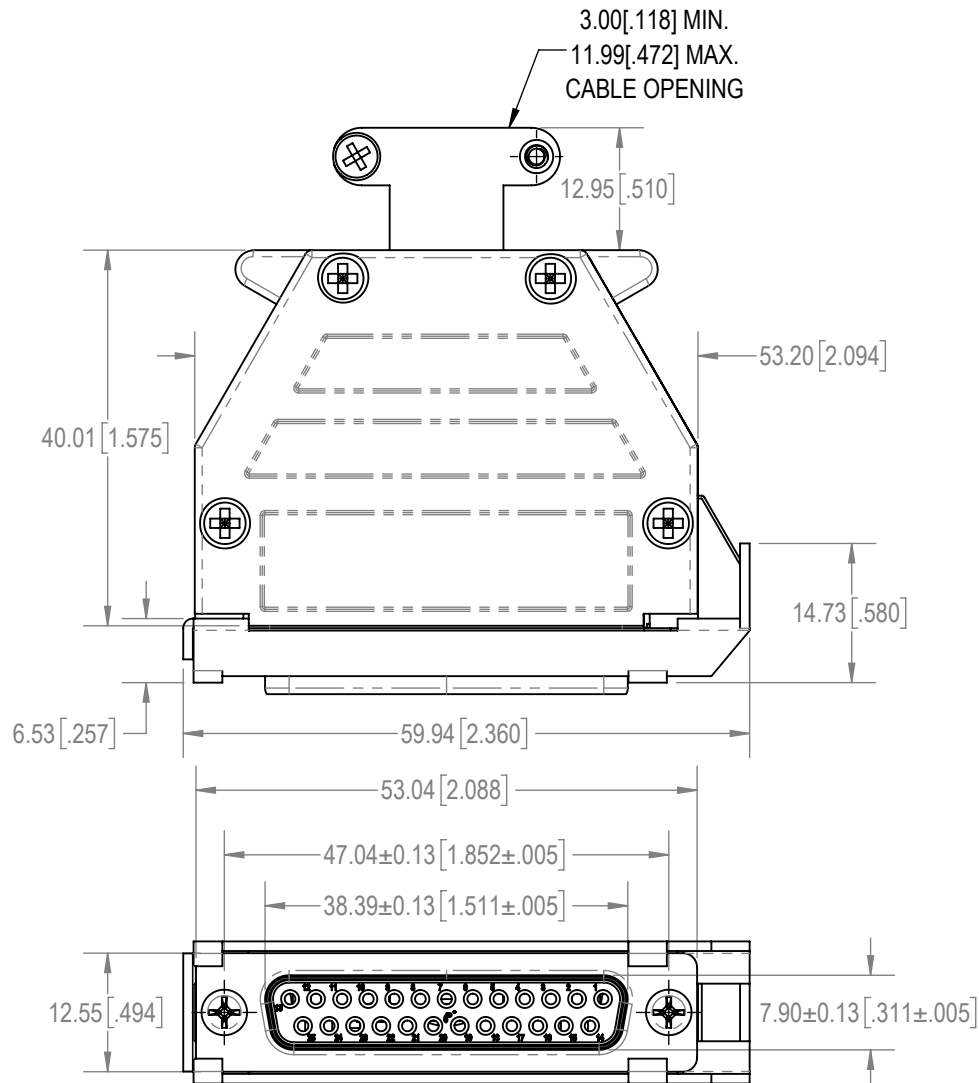
1

D

C

B

A



D

C

B

A

NOTES:

- MATERIALS AND FINISH:
INSULATOR: GLASS FILLED PBT POLYESTER, UL 94V-0, BLACK COLOR.
SHELL: STEEL, TIN PLATE.
HOOD, HOOD COVER AND CABLE CLAMP: DIE CAST ZINC.
LOCK ARM, HOOD SCREWS AND CABLE CLAMP SCREWS: STEEL, NICKEL PLATE.
LOCK ARM SPRING: BERYLLIUM COPPER, NICKEL PLATE.
MOUNTING SCREWS: STEEL, ZINC PLATE WITH CHROMATE SEAL.
- DETAILED PRODUCT, MECHANICAL AND ELECTRICAL INFORMATION IS AVAILABLE IN THE LATEST STANDARD DENSITY D-SUB PRODUCT PUBLICATION AT CONNECTPOSITRONIC.COM.
- CONNECTORS ARE COMPLIANT TO THE CURRENT RoHS DIRECTIVES.

BY SBM	CHK AP	3RD ANGLE 	POSITRONIC BELIEVES THE DATA ON THE DRAWING TO BE RELIABLE. THE USER EMPLOYS SUCH INFORMATION AT HIS OWN DISCRETION AND RISK. POSITRONIC ASSUMES NO RESPONSIBILITY FOR RESULTS OBTAINED OR DAMAGES INCURRED FROM USE OF SUCH INFORMATION IN WHOLE OR IN PART.	
APR AB	RELEASED DATE: 2022-08-16	SCALE NTS		
TOLERANCES ±0.03mm [.001 INCHES] FOR MALE CONTACT MATING DIAMETERS ±0.08mm [.003 INCHES] FOR CONTACT TERMINATION DIAMETERS ±0.13mm [.005 INCHES] FOR ALL OTHER DIAMETERS ±0.38mm [.015 INCHES] FOR ALL OTHER DIMENSIONS ±5° FOR ALL ANGLES DIMENSION ARE IN MILLIMETERS [INCHES]			PART NUMBER SD25F00GVLX/AA	SERIES SD
			TITLE SD25F00GVLX/AA	
CREATED ON: 2022-08-16		SHEET SHEET 1 OF 1	REV A	

6

5

4

3

2

1