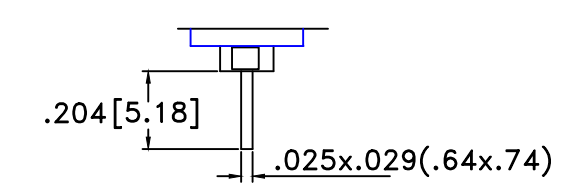
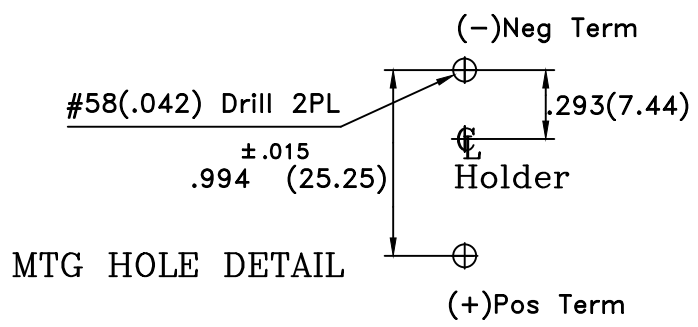
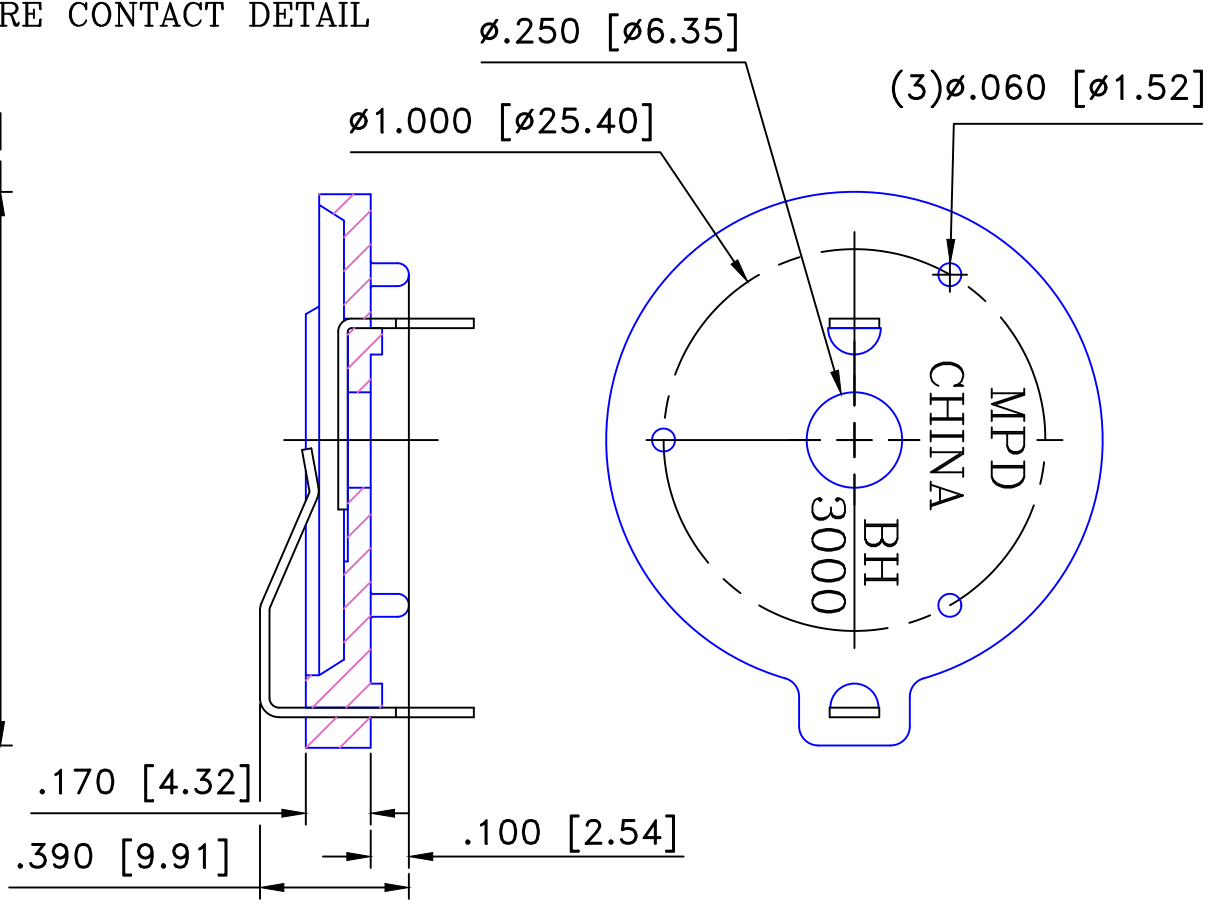
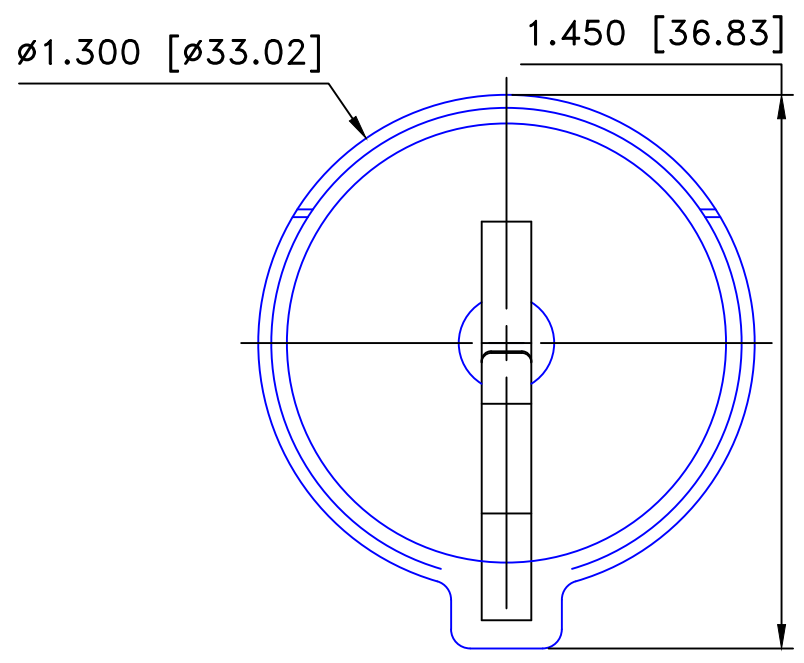


Date	SYM	REVISION RECORD	AUTH	DR.	CK.
12/12/19	F	Added weight of the part	T.B.	B.S.	




MTG HOLE DETAIL

SQUARE CONTACT DETAIL



**SPECIFICATIONS**

- \*Holder material—thermoplastic, black PBT
  - \*Flammability rating—UL94V-0, File No.88499(M)
  - \*Contacts—302 spring temper stainless steel nickel plated overall, Lead Free
  - \*Dielectric strength—560volts/mil at 25°C for 5seconds
  - \*Temperature range— -55° to +180°C
  - \*Resistance to solvents—Xylene,ethyl,butyl,methyl&proptl alcohol;ethyl acetate,heptane;toluene;refrigerant
- approximate weight: 3.68g  
ROHS COMPLIANT

Tolerance (Except as noted)	 <b>Memory protection Devices, Inc</b> 200 Broad Hollow Road, Farmingdale, New York 11735		
decimal ±.5 (.020)		Scale 2=1	Drawn By T.S. Approved By T.B.
Fractional ± .8 (.030)	Title CR3032 BATTERY HOLDER, ø30MMx3.2MM THICK		
Angular ± 3°	Date 12/12/19	Drawing Number BH3000	