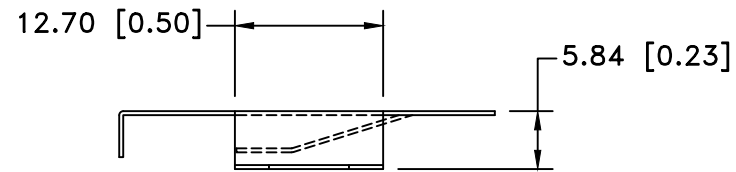
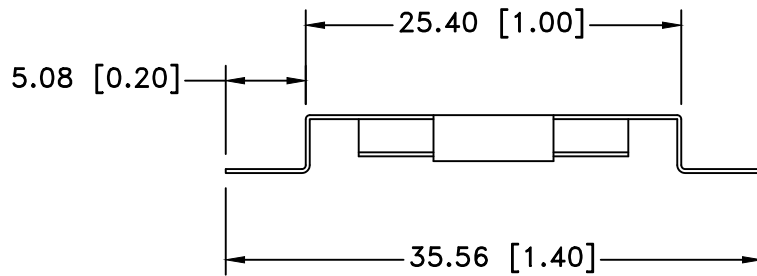
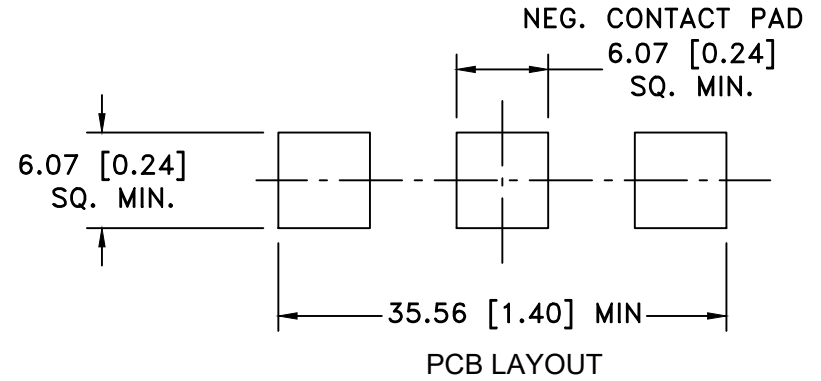
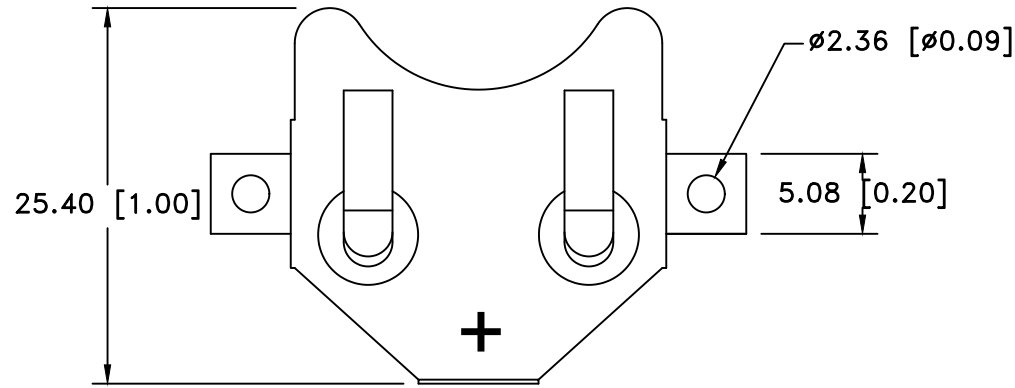



Date	SYM	REVISION RECORD	AUTH	DR.	CK.
12/15/17	E	ADDED CUTOUT AT POSITIVE CONTACT TABS	T.B.	B.S.	
10/31/19	F	ADDED WEIGHT OF THE PART	T.B.	B.S.	



NOTES:

- MATERIAL:
0.25mm PHOSPHOR BRONZE, NICKEL PLATED.
APPROXIMATE WEIGHT: 1.58g
ROHS COMPLIANT

Tolerance (Except as noted)	 Memory Protection Devices, Inc 200 Broad Hollow Road, Farmingdale, New York 11735		
decimal ±.5 (.020)		Scale	Drawn By B.S.
Fractional ±.8 (.030)	Title COIN CELL RETAINER FOR 2450 BATTERIES		
Angular ± 3°	Date 10/31/19	Drawing Number BK-877	
CELL SIZE 24mm		RETAINS BATTERY NUMBERS CR2450, DL2450	