

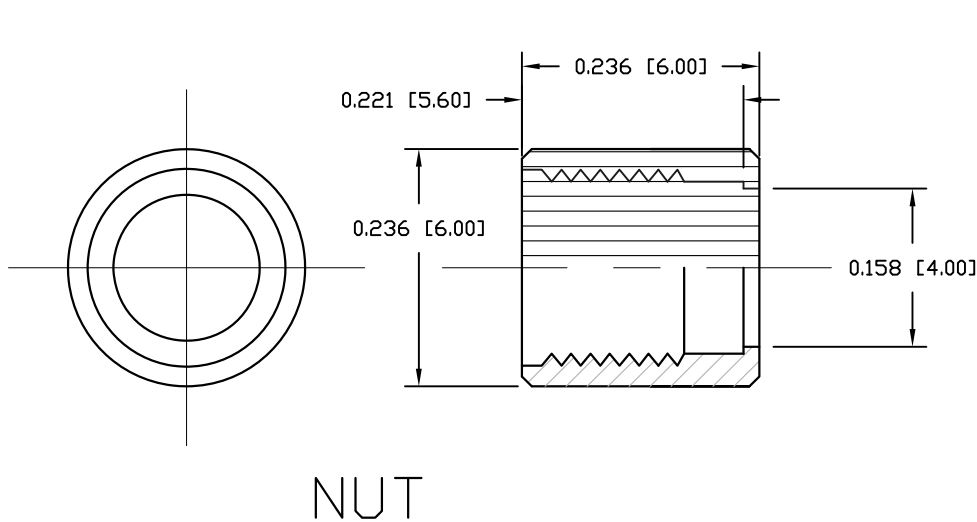
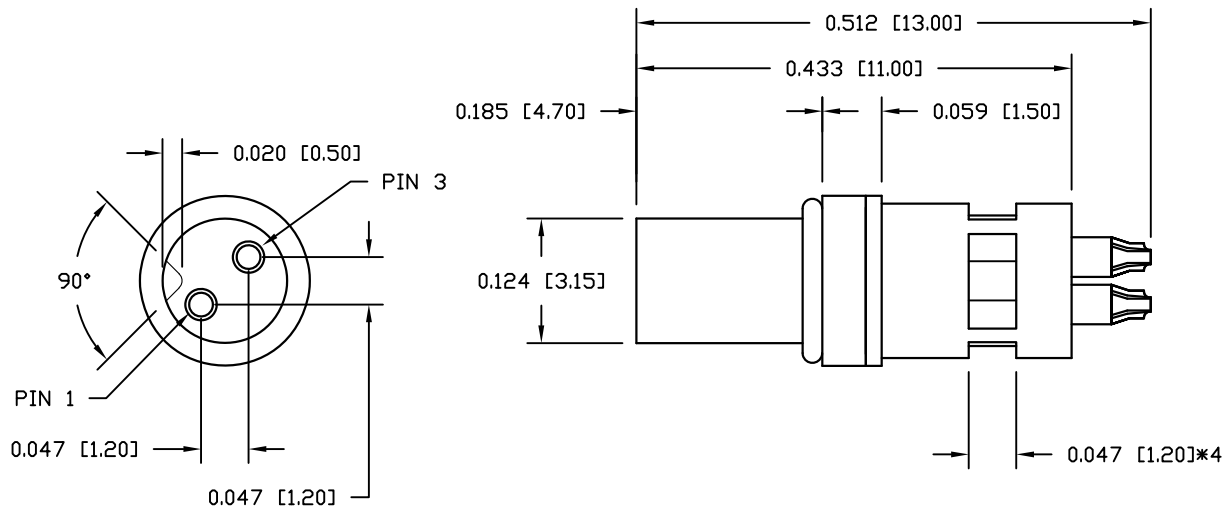
NOTE:

MATERIAL

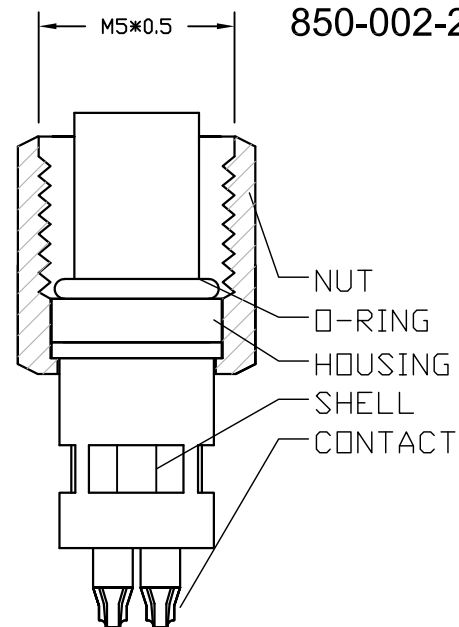
HOUSING:	TPU, BLACK
SHELL:	BRASS
CONTACT:	BRASS
NUT:	BRASS
O-RING:	NBR, BLACK
FINISH	
SHELL:	TIN PLATED
CONTACT:	GOLD PLATED OVER 50µ NICKEL NICKEL PLATED
NUT:	
ELECTRICAL	
RATED CURRENT:	1A
RATED VOLTAGE:	60V
INSULATION RESISTANCE:	100 MOhms MIN.
CONTACT RESISTANCE:	10 mOhms MAX.
WATER PROOF:	IP67

ENVIRONMENT

OPERATION TEMPERATURE:	-40°C TO +85°C
WIRE GAUGE:	26-28 AWG
MATING TORQUE:	= 1.5 in lbs max.



NUT



850-002-203RSSY

1 = GOLD FLASH
4 = 10µ" GOLD

RoHS COMPLIANT

UNITS = inch [mm]

DO NOT SCALE FROM DRAWING



THESE DRAWINGS AND SPECIFICATIONS ARE THE PROPERTY OF NorComp AND SHALL NOT BE REPRODUCED, COPIED OR USED AS THE BASIS FOR THE MANUFACTURE OR SALE OF APPARATUS WITHOUT WRITTEN PERMISSION.

DRAWN:

M. SIGMON

DATE:

03-03-16

NorComp

SCALE:

NTS

SHEET

1

OF

1

REV

5

DWG NO.

850-002-203RSSY