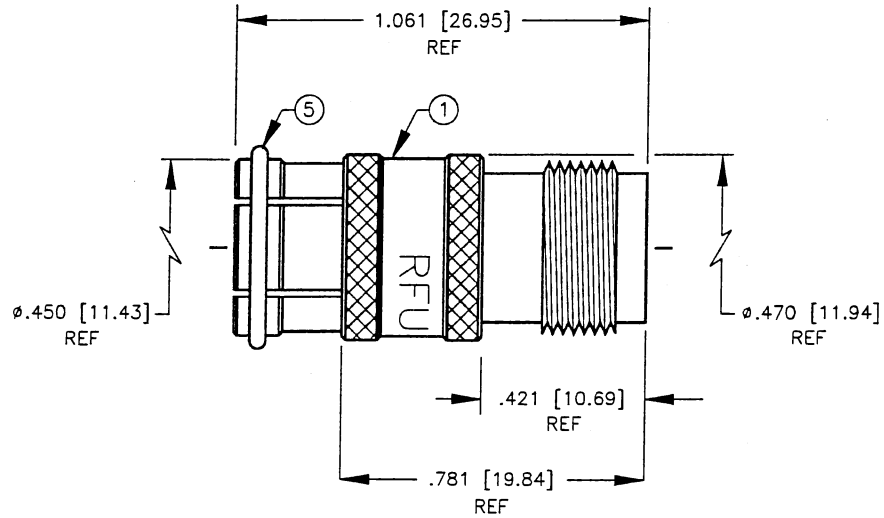


SPECIFICATION CONTROL DRAWING

THIS DRAWING CONTAINS INFORMATION PROPRIETARY TO RF INDUSTRIES, LTD. ANY UNAUTHORIZED USE OF THIS DRAWING IS EXPRESSLY PROHIBITED. ANY VIOLATION IS PUNISHABLE UNDER U.S. COPYRIGHT LAWS.

REV	DESCRIPTION	DWN	DATE	APPROVED
A	ENGINEERING RELEASE	PB	7/15/92	J. BENZ
B	CHANGE TO ONE PIECE BODY	KMM	4/5/94	F. VIERA



SPECIFICATIONS:

IMPEDANCE: 50 OHMS
 VOLTAGE RATING: 335 VOLTS PEAK
 FREQUENCY RANGE: 0-2.5 GHz

DIMENSIONS ARE IN INCHES OVER MILLIMETERS.

UNLESS OTHERWISE NOTED TOLERANCES ARE: DECIMALS ANGLES

DRAWN	K. MAXWELL	4/5/94
CHECKED	<i>[Signature]</i>	4/7/94
ISSUED	H. HILL	4/5/94
ORJ DRAWN	P. BREAUX	7/15/92
APPROVALS		DATE

RFconnectors
 DIVISION OF RF INDUSTRIES, LTD.

7620 MIRAMAR RD
 SAN DIEGO, CA 92126
 (619)549-6340
 (619)549-6345 FAX

RFU-623-5

MINI UHF MALE Q/D TO TNC FEMALE ADAPTER

ITEM	DESCRIPTION	QTY	MATERIAL	FINISH
5	RETAINING RING	1	SK-5	NICKEL
	DIELECTRIC	1	* TEFLON	NONE
	CONTACT	1	BRASS	GOLD
1	BODY	1	BRASS	NICKEL

SIZE	CABLE GROUP	DWG NO.	REV
A	N/A	7639B	B
SCALE:	2:1	CAD FILE	ARC143
		SHEET	1 OF 1