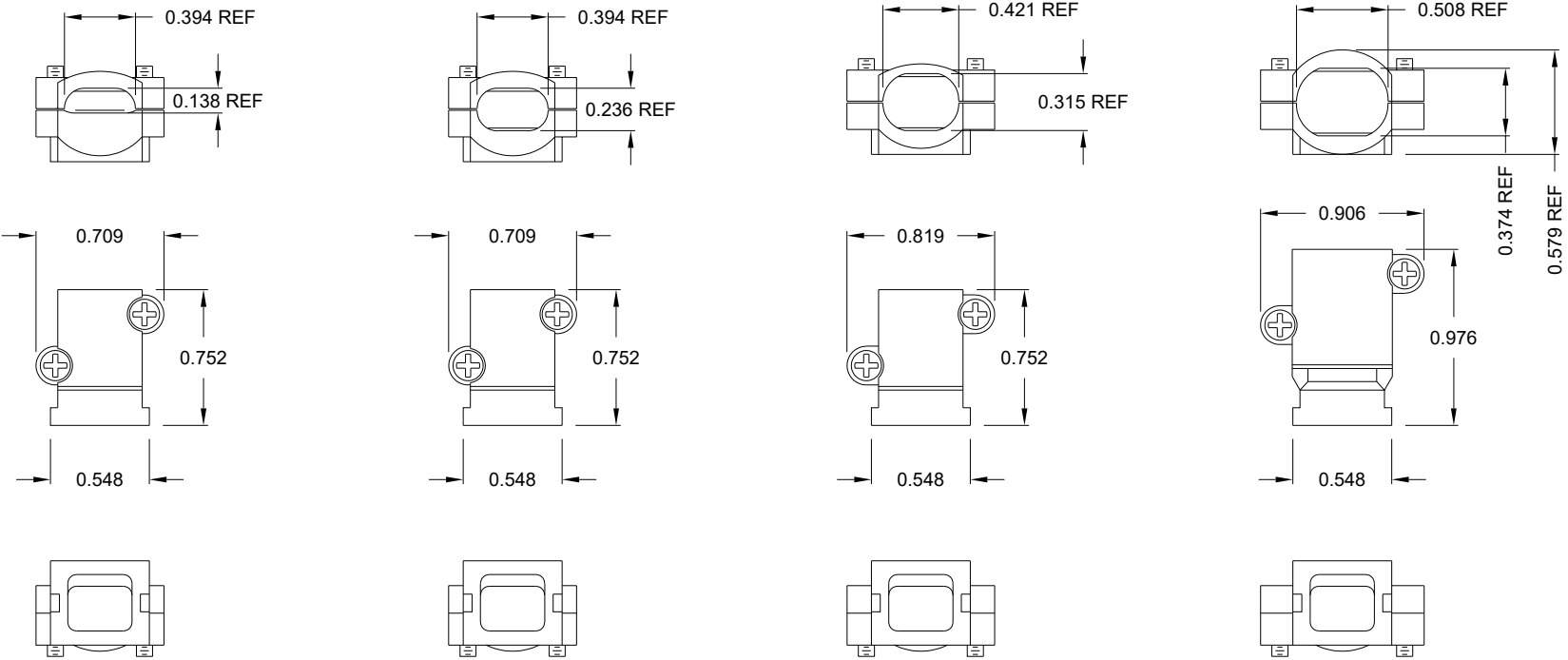


CABLE CLAMPS ORDERED SEPARATELY

TOLERANCES
±0.008"



P/N 955-09-SR-4-7 CABLE RANGE = 0.157 - 0.276 (MIN - MAX) P/N 955-15-SR-7-10 CABLE RANGE = 0.276 - 0.394 (MIN - MAX) P/N 955-25-SR-9-12 CABLE RANGE = 0.354 - 0.472 (MIN - MAX) P/N 955-37-SR-11-14 CABLE RANGE = 0.433 - 0.551 (MIN - MAX)

(2x) M2.5x0.45 SCREWS INCLUDED

RoHS COMPLIANT

UNITS = inches DO NOT SCALE FROM DRAWING

NC

THESE DRAWINGS AND SPECIFICATIONS ARE THE PROPERTY OF NorComp AND SHALL NOT BE REPRODUCED, COPIED OR USED AS THE BASIS FOR THE MANUFACTURE OR SALE OF APPARATUS WITHOUT WRITTEN PERMISSION.

DRAWN: C. SMITH
DATE: 04/10/2007

NorComp

SCALE: NTS SHEET 1 OF 1 REV 3

DWG NO. 955-YY-SR-Y-Y