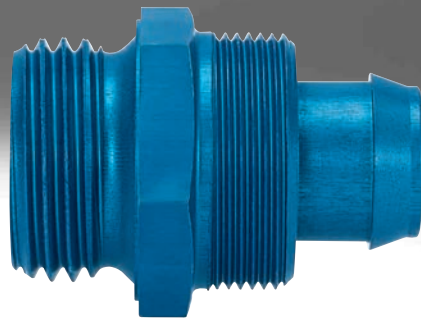
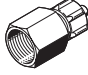


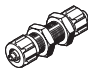



## Quick connectors

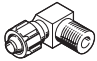

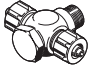
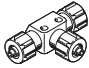

**FESTO**



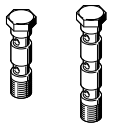

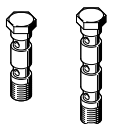
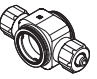
Product range overview

Design	Design	Type	Connection D1		Tubing I.D.	→ Page
			M thread	G thread		
Straight shape	<b>Quick connector – female thread with sealing ring</b>					
		<b>ACK</b> Aluminium version	–	G1/8 G1/4 G3/8 G1/2	3, 4, 6 4, 6 6, 9 13	5
	<b>Quick connector – male thread with sealing ring</b>					
		<b>CK</b> Metal design	M5 –	– G1/8 G1/4 G3/8 G1/2	3, 4 3, 4, 6 4, 6, 9 6, 9, 13 13	6
		<b>CK-...-KU</b> Polymer version	–	G1/8 G1/4 G3/8	3, 4, 6 4, 6, 9 6, 9	7
	<b>Bulkhead quick connector – female thread with sealing ring</b>					
		<b>QCK</b>	M5 –	– G1/8 G1/4 G3/8	PK-3 PK-4 PK-6 PK-9	8
	<b>Bulkhead quick connector</b>					
		<b>SCK</b> Aluminium version	–	–	PK-3, PK-4, PK-6, PK-9	9
		<b>SCK-...-KU</b> Polymer version	–	–	PK-3, PK-4, PK-6, PK-9	9
	<b>Sealing cap for plastic tube fittings and barbed connectors</b>					
		<b>CV-PK</b>	–	–	3, 4, 6, 9	10

## Product range overview

Design	Design	Type	Connection D1			Tubing I.D.	→ Page	
			M thread	R thread	G thread			
L-shape	<b>Elbow quick connector</b>							
		<b>GCK-...-KU</b> Polymer version	-	R1/8	-	4, 6	11	
				R1/4		4, 6		
				R3/8		6, 9		
	<b>Elbow quick connector with 2 sealing rings, rotatable</b>							
		<b>LCK</b> Metal design	M5	-	-	3, 4	12	
						G1/8		3, 4, 6
						G1/4		4, 6, 9
						G3/8		6, 9, 13
						G1/2		13
<b>LCK-...-KU</b> Polymer version	-	-	-	G1/8	4, 6	12		
				G1/4	4, 6			
T-shape	<b>T quick connector with 2 sealing rings, rotatable</b>							
		<b>TCK</b> Metal design	M5	-	-	3, 4	13	
						G1/8		3, 4, 6
						G1/4		4, 6,
						G3/8		6, 9
						G1/2		13
	<b>TCK-...-KU</b> Polymer version	-	-	-	G1/8	4, 6	13	
					G1/4	4, 6		
	<b>T-distributor</b>							
		<b>FCK-...-KU</b>	-	-	-	3	14	
4								
6								
9								
<b>Union nut for CK tube fitting</b>								
	<b>MCK</b> Metal design	-	-	-	3, 4, 6, 9, 13	15		
					<b>MCK-...-KU</b> Polymer version		-	-

## Product range overview

Design	Design	Type	Connection D1		Tubing I.D.	→ Page
			M thread	G thread		
Multiple distributor	<b>Combination of hollow bolt VT with ring piece LK</b>					
		<b>VT-...-2</b> For 2 ring pieces	M5	G1/8, G1/4, G3/8	–	16
		<b>VT-...-3</b> For 3 ring pieces	M5	G1/8, G1/4, G3/8	–	16
		<b>LK</b> Metal design	–	–	3, 4, 6	16
		<b>LK-...-KU</b> Polymer version	–	–	4, 6	16
	<b>Combination of hollow bolt VT with ring piece TK</b>					
		<b>VT-...-2</b> For 2 ring pieces	M5	G1/8, G1/4, G3/8	–	17
		<b>VT-...-3</b> For 3 ring pieces	M5	G1/8, G1/4, G3/8	–	17
		<b>TK</b> Metal design	–	–	3, 4, 6	17
		<b>TK-...-KU</b> Polymer version	–	–	4, 6	17

## Data sheet

## Quick connector ACK

Female thread with sealing ring

## Materials:

Screwed trunion: Aluminium

Union nut: Aluminium

## Note on materials:

RoHS-compliant



## General technical data

Mounting position	Any
Type of seal on screwed trunion	Sealing ring

## Operating and environmental conditions

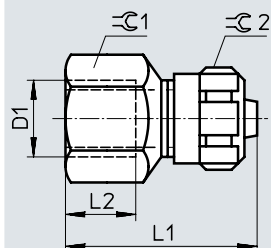
Operating medium	Compressed air to ISO 8573-1:2010 [7:--:-]
	Water as per manufacturer's declaration <sup>2)</sup>
Note on the operating/ pilot medium	Lubricated operation possible
Ambient temperature [°C]	-10 ... +60
Corrosion resistance class CRC <sup>1)</sup>	2
Maritime classification	See certificate <sup>2)</sup>

1) Corrosion resistance class CRC 2 to Festo standard FN 940070

Moderate corrosion stress. Indoor applications in which condensation can occur. External visible parts with primarily decorative surface requirements which are in direct contact with a normal industrial environment.

2) Additional information: [www.festo.com/sp](http://www.festo.com/sp) → Certificates.

## Dimensions

Download CAD data → [www.festo.com](http://www.festo.com)

## Ordering data

Pneumatic connection			Nominal width [mm]	L1	L2	⌀C1	⌀C2	Part no.	Type	PU <sup>1)</sup>
Female thread D1	For tubing O.D. [mm]	For tubing I.D. [mm]								
G1/8	4	–	2.4	23.9	9	13	8	5664	ACK-1/8-PK-3	10
	6	–	3.4	27	9	13	12	3714	ACK-1/8-PK-4	10
	8	–	5.3	27	9	13	14	7842	ACK-1/8-PK-6	10
G1/4	6	–	3.4	30	12	17	12	3713	ACK-1/4-PK-4	10
	8	–	5.3	30	12	17	14	3712	ACK-1/4-PK-6	10
G3/8	8	–	5.3	31	12	19	14	3711	ACK-3/8-PK-6	10
	–	9	8	37.4	15	19	19	3710	ACK-3/8-PK-9	10
G1/2	–	13	12	40.2	15	27	24	4099	ACK-1/2-PK-13	1

1) Packaging unit

## Data sheet

### Quick connector CK

Metal design  
Male thread with sealing ring

Materials:  
Screwed trunnion  
M thread: Galvanised steel  
G thread: Aluminium  
Union nut: Aluminium

Note on materials:  
RoHS-compliant



#### General technical data

Mounting position	Any
Type of seal on screwed trunnion	Sealing ring

#### Operating and environmental conditions

Operating medium	Compressed air to ISO 8573-1:2010 [7:-:-] Water as per manufacturer's declaration <sup>2)</sup>
Note on the operating/ pilot medium	Lubricated operation possible
Ambient temperature [°C]	-10 ... +60
Corrosion resistance class CRC <sup>1)</sup>	2
Maritime classification	See certificate <sup>2)</sup>

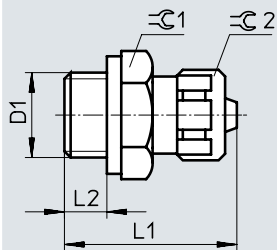
1) Corrosion resistance class CRC 2 to Festo standard FN 940070

Moderate corrosion stress. Indoor applications in which condensation can occur. External visible parts with primarily decorative surface requirements which are in direct contact with a normal industrial environment.

2) Additional information: [www.festo.com/sp](http://www.festo.com/sp) → Certificates.

#### Dimensions

Download CAD data → [www.festo.com](http://www.festo.com)



#### Ordering data

Pneumatic connection			Nominal width [mm]	L1	L2	C1	C2	Part no.	Type	PU <sup>1)</sup>
Male thread D1	For tubing O.D. [mm]	For tubing I.D. [mm]								
M5	4	-	2.0	19.3	3.8	7	8	3561	CK-M5-PK-3	10
	6	-	2.9	21.5	3.8	10	-	3562	CK-M5-PK-4	10
G1/8	4	-	2.0	21.6	4.9	13	8	3563	CK-1/8-PK-3	10
	6	-	2.9	24.7	4.9	13	12	2027	CK-1/8-PK-4	10
	8	-	4.9	24.8	4.9	13	14	2028	CK-1/8-PK-6	10
G1/4	6	-	2.9	27.2	5.8	17	12	2029	CK-1/4-PK-4	10
	8	-	4.9	27.3	5.8	17	14	2030	CK-1/4-PK-6	10
	-	9	8	30.6	5.8	17	19	2031	CK-1/4-PK-9	10
G3/8	8	-	4.9	28.3	6.8	19	14	2032	CK-3/8-PK-6	10
	-	9	8	31.6	6.8	19	19	2033	CK-3/8-PK-9	10
	-	13	11.7	33.2	6.8	24	24	4097	CK-3/8-PK-13	10
G1/2	-	13	11.7	34.7	8.5	24	24	4098	CK-1/2-PK-13	1

1) Packaging unit

## Data sheet

## Quick connector CK-...-KU

Polymer version

Male thread with moulded-on sealing edge

Materials:

Screwed trunnion: POM

Union nut: POM

Note on materials:

RoHS-compliant



## General technical data

Mounting position	Any
Type of seal on screwed trunnion	Sealing edge

## Operating and environmental conditions

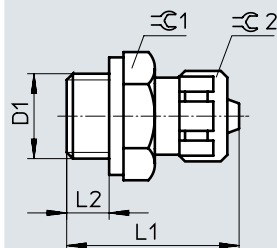
Operating pressure [bar]	0 ... 10
Operating medium	Compressed air to ISO 8573-1:2010 [7:-:-] Water as per manufacturer's declaration <sup>2)</sup>
Note on the operating/ pilot medium	Lubricated operation possible
Ambient temperature [°C]	-10 ... +60
Corrosion resistance class CRC <sup>1)</sup>	2
Maritime classification	See certificate <sup>2)</sup>

1) Corrosion resistance class CRC 2 to Festo standard FN 940070

Moderate corrosion stress. Indoor applications in which condensation can occur. External visible parts with primarily decorative surface requirements which are in direct contact with a normal industrial environment.

2) Additional information: [www.festo.com/sp](http://www.festo.com/sp) → Certificates.

## Dimensions

Download CAD data → [www.festo.com](http://www.festo.com)

## Ordering data

Pneumatic connection			Nominal width [mm]	L1	L2	⌀1	⌀2	Part no.	Type	PU <sup>1)</sup>
Male thread D1	For tubing O.D. [mm]	For tubing I.D. [mm]								
G1/8	4	–	2.4	22.2	6.5	13	8	6253	CK-1/8-PK-3-KU	10
	6	–	3.4	25.3	6.5	13	12	6254	CK-1/8-PK-4-KU	10
	8	–	4.4	25.4	6.5	13	14	6255	CK-1/8-PK-6-KU	10
G1/4	6	–	3.4	28.5	8.5	17	12	6256	CK-1/4-PK-4-KU	10
	8	–	5.3	28.6	8.5	17	14	6257	CK-1/4-PK-6-KU	10
	–	9	7.3	31.9	8.5	17	19	6258	CK-1/4-PK-9-KU	10
G3/8	8	–	5.3	31	10.5	19	14	6460	CK-3/8-PK-6-KU	10
	–	9	8	34.5	10.5	19	19	6468	CK-3/8-PK-9-KU	10

1) Packaging unit

## Data sheet

**Bulkhead quick connector QCK**  
Female thread with sealing ring

Materials:  
Housing: Aluminium

Note on materials:  
RoHS-compliant  
Free of copper and PTFE



### General technical data

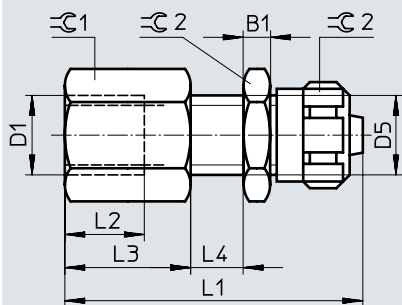
Mounting position	Any
Type of seal on screwed trunnion	Sealing ring

### Operating and environmental conditions

Operating medium	Compressed air to ISO 8573-1:2010 [7:-:-]
Note on the operating/ pilot medium	Lubricated operation possible

### Dimensions

Download CAD data → [www.festo.com](http://www.festo.com)



### Ordering data

Pneumatic connection	Nominal width [mm]	B1	D5	L1	L2	L3	L4	≙G1	≙G2	≙G3	Part no.	Type	PU <sup>1)</sup>
D1							max.						
M5	PK-3 <sup>2)</sup>	2.4	M6x0.75	31	6	10	8	7	8	10	9424	QCK-M5-PK-3-B	10
G1/8	PK-4 <sup>2)</sup>	3.4	M10x1	40	8	13.5	10	13	12	13	9425	QCK-1/8-PK-4-B	10
G1/4	PK-6 <sup>2)</sup>	5.3	M12x1	45	12	18	10	17	14	17	9426	QCK-1/4-PK-6-B	10
G3/8	PK-9 <sup>2)</sup>	8	M16x1	50	12	18.6	10	19	19	22	9427	QCK-3/8-PK-9-B	1

1) Packaging unit

2) With union nut



## Data sheet

## Bulkhead quick connector SCK

Materials:

Housing

## Bulkhead quick connector SCK-...-KU

SCK: Aluminium

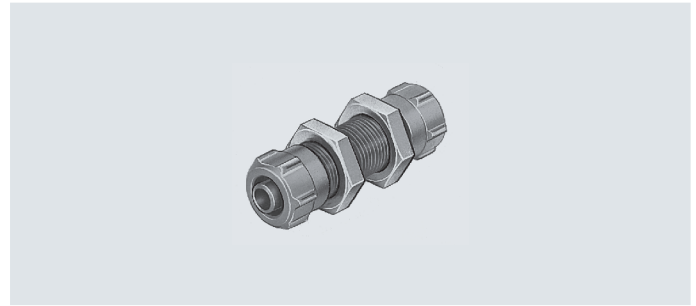
With moulded-on sealing edge

SCK-...-KU: POM

Note on materials:

RoHS-compliant

Free of copper and PTFE



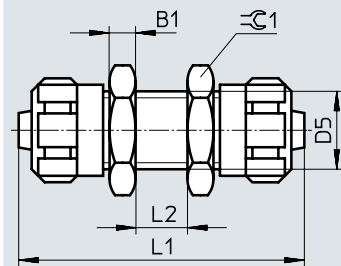
## General technical data

Mounting position	Any
-------------------	-----

## Operating and environmental conditions

Operating pressure	[bar]	0 ... +10
Ambient temperature	[°C]	-10 ... +60

## Dimensions

Download CAD data → [www.festo.com](http://www.festo.com)

## Ordering data

Pneumatic connection	Nominal width [mm]	B1	D5	L1	L2 max.	⌀C1	Part no.	Type	PJ <sup>1)</sup>
<b>Aluminium version</b>									
PK-3 <sup>2)</sup>	2.4	3.2	M6x0.75	34	8	10	9420	SCK-PK-3	10
PK-4 <sup>2)</sup>	3.4	3.5	M10x1	43	10	13	9421	SCK-PK-4	10
PK-6 <sup>2)</sup>	5.3	4	M12x1	44	10	17	9422	SCK-PK-6	10
PK-9 <sup>2)</sup>	8	5	M16x1	53	10	22	9423	SCK-PK-9	1
<b>Polymer version</b>									
PK-3 <sup>2)</sup>	2.4	5	M10x1 <sup>3)</sup>	41	10	13	9387	SCK-PK-3-KU	10
PK-4 <sup>2)</sup>	3.4	5	M10x1	46	10	13	9388	SCK-PK-4-KU	10
PK-6 <sup>2)</sup>	5.3	6	M12x1	48	10	17	9389	SCK-PK-6-KU	10
PK-9 <sup>2)</sup>	8	7	M16x1	57	10	22	9390	SCK-PK-9-KU	1

1) Packaging unit

2) With union nut

3) Installation diameter differs from the aluminium version

## Data sheet

### Sealing cap CV

For sealing barbed connectors and fittings for polymer tubing

Material:  
Polyurethane  
Free of copper and PTFE  
RoHS-compliant



#### Dimensions and ordering data

Tubing I.D.	Weight/piece [g]	Part no.	Type	PU <sup>1)</sup>
3	0.001	6213	CV-PK-3-B	10
4	0.001	6214	CV-PK-4-B	10
6	0.001	6215	CV-PK-6-B	10
9	0.002	6216	CV-PK-9-B	10

#### Operating conditions (permissible static pressure)

Type	CV-PK-3-B ... CV-PK-6-B						CV-PK-9-B	
Operating pressure [bar]	10	10	8	7	6	6	4	
Ambient temperature [°C]	-35	+20	+40	+60	+80	+60	+80	

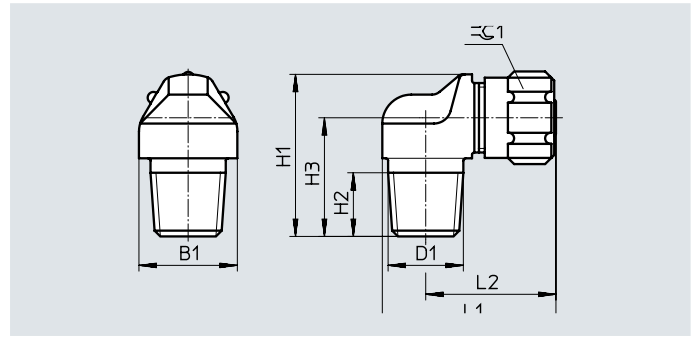
1) Packaging unit

## Data sheet

Elbow quick connector  
GCK-...-KU

Material:  
Polyacetal  
Free of copper and PTFE  
RoHS-compliant

Pressure range: 0 ... 10 bar  
Temperature range: -10 ... +60°C



## Dimensions and ordering data

Connection	Nominal width [mm]	Tubing I.D.	B1	H1	H2	H3	L1	L2	⌀1	Part no.	Type	PU <sup>1)</sup>
R1/8	2.9	4	13	22.5	8	16.5	26.5	20.5	12	6267	GCK-1/8-PK-4-KU	10
	4.9	6	17	24.5	8	17.5	28.5	21.5	14	6268	GCK-1/8-PK-6-KU	10
R1/4	2.9	4	17	25.5	11	19.5	30	22.5	12	6269	GCK-1/4-PK-4-KU	10
	4.9	6	17	27.5	11	20.5	30	22.5	14	6270	GCK-1/4-PK-6-KU	10
R3/8	4.9	6	19	28.5	10.5	21	34	24.5	14	6271	GCK-3/8-PK-6-KU	10
	8	9	19	33.5	10.5	23.5	37.2	27.7	19	6272	GCK-3/8-PK-9-KU	10

1) Packaging unit

## Data sheet

### Elbow quick connector LCK

With 2 sealing rings

Rotatable

Materials:

Housing

LCK: Die-cast zinc

LCK-...-KU: POM



### Elbow quick connector

LCK-...-KU

With moulded-on sealing edge

Rotatable

Note on materials:

RoHS-compliant

Free of copper and PTFE

### General technical data

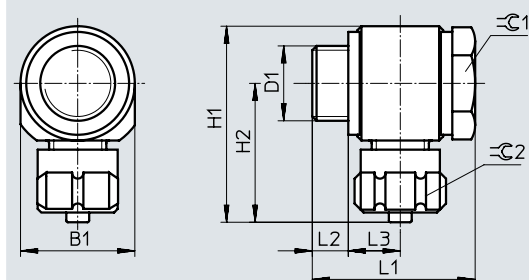
Type	LCK	LCK-...-KU
Mounting position	Any	
Type of seal on screwed trunnion	Sealing ring	Sealing edge

### Operating and environmental conditions

Operating pressure	[bar]	0 ... +16
Ambient temperature	[°C]	-10 ... +60

### Dimensions

Download CAD data → [www.festo.com](http://www.festo.com)



### Ordering data

Pneumatic connection		Nominal width	B1	H1	H2	L1	L2	L3	≙C1	≙C2	Part no.	Type	PU <sup>2)</sup>
D1		[mm]											
<b>Die-cast zinc version</b>													
M5	PK-3 <sup>1)</sup>	2.4	10	21.1	16.1	17.2	3.8	5.2	7	8	4468	LCK-M5-PK-3	10
	PK-4 <sup>1)</sup>	2.4	11	21.1	16.1	18	3.8	5.6	7	8	4562	LCK-M5-PK-4	10
G1/8	PK-3 <sup>1)</sup>	2	16	27.1	19.1	21.1	4.9	6.1	13	8	4136	LCK-1/8-PK-3	10
	PK-4 <sup>1)</sup>	2.9	16	30.2	22.2	27.1	4.9	9.1	13	12	4469	LCK-1/8-PK-4	10
	PK-6 <sup>1)</sup>	4.9	16	30.3	22.3	27.1	4.9	9.1	13	14	4470	LCK-1/8-PK-6	10
G1/4	PK-4 <sup>1)</sup>	2.9	20	34.2	24.2	28.1	5.7	9.2	17	12	4471	LCK-1/4-PK-4	10
	PK-6 <sup>1)</sup>	4.9	20	34.3	24.3	28.1	5.5	9.3	17	14	4472	LCK-1/4-PK-6	10
	PK-9 <sup>1)</sup>	8	20	37.6	27.6	33.3	5.7	11.8	17	19	11452	LCK-1/4-PK-9	10
G3/8	PK-6 <sup>1)</sup>	4.9	25	39.3	26.8	30.3	6.7	9.3	22	14	4473	LCK-3/8-PK-6	1
	PK-9 <sup>1)</sup>	8	25	42.6	30.1	35.3	6.7	11.8	22	19	4474	LCK-3/8-PK-9	1
G1/2	PK-13 <sup>1)</sup>	11.7	30	49.2	34.2	46.6	7.9	16.85	27	24	4100	LCK-1/2-PK-13	1
<b>Polymer version</b>													
G1/8	PK-4 <sup>1)</sup>	3.4	16	30.5	22.5	27.5	7.1	8.25	13	12	6259	LCK-1/8-PK-4-KU	10
	PK-6 <sup>1)</sup>	5.3	16	30.5	22.5	27.5	7.1	8.25	13	14	6260	LCK-1/8-PK-6-KU	10
G1/4	PK-4 <sup>1)</sup>	3.4	20	34.5	24.5	28.5	8.1	8.25	17	12	6261	LCK-1/4-PK-4-KU	10
	PK-6 <sup>1)</sup>	5.3	20	34.5	24.5	28.5	8.1	8.25	17	14	6262	LCK-1/4-PK-6-KU	10

1) With union nut

2) Packaging unit

## Data sheet

**T quick connector TCK**

With 2 sealing rings

Rotatable

Materials:

Housing

TCK: Die-cast zinc

TCK...-KU: POM

Union nut

TCK: Aluminium

TCK...-KU: POM

**T quick connector****TCK...-KU**

With moulded-on sealing edge

Rotatable

Note on materials:

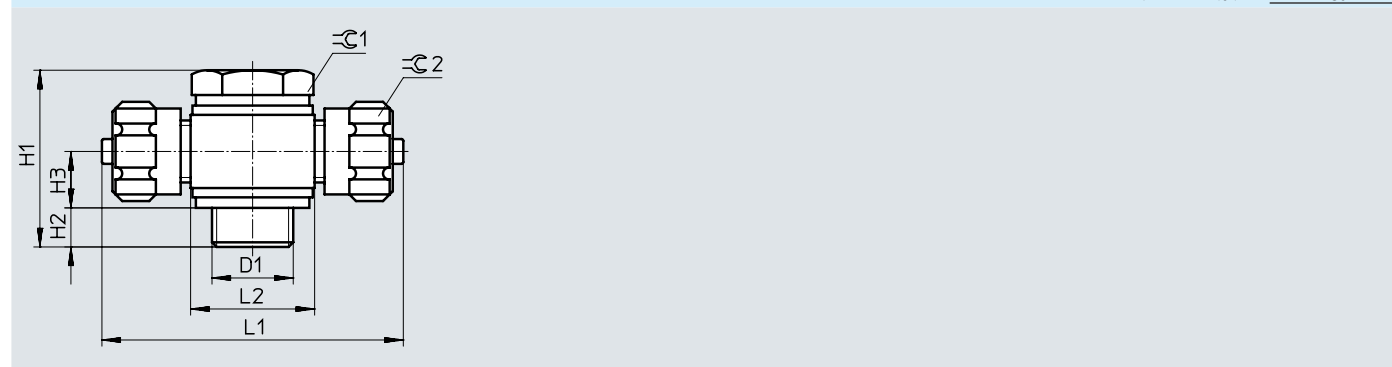
RoHS-compliant



General technical data		
Type	TCK	TCK...-KU
Mounting position	Any	
Type of seal on screwed trunnion	Sealing ring	Sealing edge

Operating and environmental conditions		
Operating pressure [bar]	0 ... +10	
Ambient temperature [°C]	-10 ... +60	

### Dimensions Download CAD data → [www.festo.com](http://www.festo.com)



Ordering data												
Pneumatic connection		Nominal width [mm]	H1	H2	H3	L1	L2	≙C1	≙C2	Part no.	Type	PU <sup>2)</sup>
D1												
<b>Die-cast zinc version</b>												
M5	PK-3 <sup>1)</sup>	2	17.2	3.8	5.2	32.2	10	7	8	4484	TCK-M5-PK-3	10
	PK-4 <sup>1)</sup>	2	18	3.8	5.6	39.4	11	7	8	4563	TCK-M5-PK-4	10
G1/8	PK-3 <sup>1)</sup>	2	21.1	4.9	6.1	38.2	16	13	8	4137	TCK-1/8-PK-3	10
	PK-4 <sup>1)</sup>	2.9	27.1	4.9	9.1	44.4	16	13	12	4485	TCK-1/8-PK-4	10
	PK-6 <sup>1)</sup>	4.9	27.1	4.9	9.1	44.6	16	13	14	4486	TCK-1/8-PK-6	10
G1/4	PK-4 <sup>1)</sup>	2.9	28.1	5.7	9.2	48.4	20	17	12	4487	TCK-1/4-PK-4	10
	PK-6 <sup>1)</sup>	4.9	28.1	5.5	9.3	48.6	20	17	14	4488	TCK-1/4-PK-6	10
G3/8	PK-6 <sup>1)</sup>	4.9	30.3	6.7	9.3	53.6	25	22	14	4489	TCK-3/8-PK-6	1
	PK-9 <sup>1)</sup>	8	35.3	6.7	11.8	60.2	25	22	14	4490	TCK-3/8-PK-9	1
G1/2	PK-13 <sup>1)</sup>	11.7	46.6	7.9	16.9	68.4	30	27	24	4101	TCK-1/2-PK-13	1
<b>Polymer version</b>												
G1/8	PK-4 <sup>1)</sup>	3.4	27.5	7.1	8.25	45	16	13	12	6263	TCK-1/8-PK-4-KU	10
	PK-6 <sup>1)</sup>	5.3	27.5	7.1	8.25	45	16	13	14	6264	TCK-1/8-PK-6-KU	10
G1/4	PK-4 <sup>1)</sup>	3.4	28.5	8.1	8.25	49	20	17	12	6265	TCK-1/4-PK-4-KU	10
	PK-6 <sup>1)</sup>	5.3	28.5	8.1	8.25	49	20	17	14	6266	TCK-1/4-PK-6-KU	10

1) With union nut

2) Packaging unit

## Data sheet

### T-distributor FCK- ...-KU

Material:

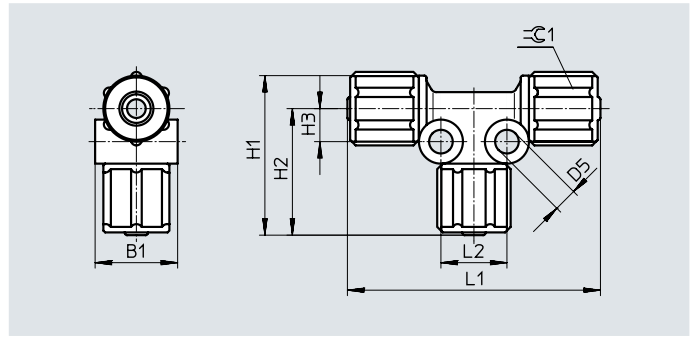
Polyacetal

Free of copper and PTFE

RoHS-compliant

Pressure range: 0 ... 10 bar

Temperature range: -10 ... +60°C



#### Dimensions and ordering data

Tubing I.D.	Nominal width [mm]	B1	D5	H1	H2	H3	L1	L2	$\varnothing 1$	Part no.	Type	PU <sup>1)</sup>
3	2.4	11	4.3	23.8	19.8	5	39.6	10	8	6273	FCK-3-PK-3-KU	10
4	3.4	15	4.3	30.2	24.2	6	48.4	12	12	6274	FCK-3-PK-4-KU	10
6	5.3	18	4.3	31.2	24.2	6	48.4	12	14	6275	FCK-3-PK-6-KU	10
9	8	22	4.3	38.3	28.8	7.1	56.4	13	19	6276	FCK-3-PK-9-KU	10

1) Packaging unit

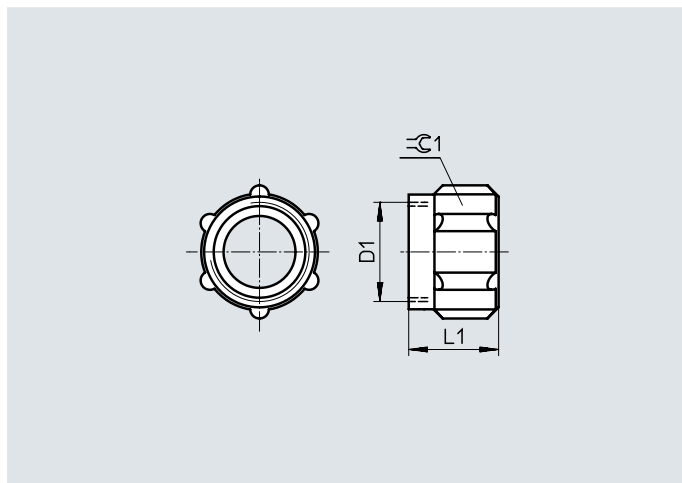
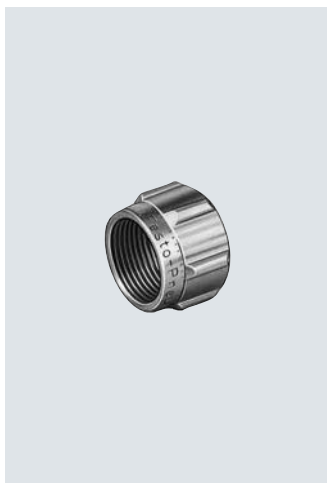
## Data sheet

**Union nut MCK**  
for tubing connectors

Material:  
Blue anodised aluminium  
Free of copper and PTFE  
RoHS-compliant

**Union nut MCK-...-KU**  
for tubing connectors

Material:  
Polymer  
Free of copper and PTFE  
RoHS-compliant



Dimensions and ordering data						
Tubing I.D.	D1	L1	∅1	Part no.	Type	PU <sup>1)</sup>
<b>Aluminium version</b>						
3	M6x0.75	8.5	8	205254	MCK-PK-3	1
4	M10x1	11	12	2965	MCK-PK-4 <sup>2)</sup>	1
4	M8x1	9.5	-	205257	MCK-PK-4-R <sup>3)</sup>	1
6	M12x1	11	14	2966	MCK-PK-6	1
9	M16x1	14.4	19	2967	MCK-PK-9	1
13	M22x1	18	24	206504	MCK-PK-13	1
<b>Polymer version</b>						
3	M6x0.75	9.5	8	211289	MCK-PK-3-KU	1
4	M10x1	12.5	12	211291	MCK-PK-4-KU <sup>2)</sup>	1
6	M12x1	12.5	14	211292	MCK-PK-6-KU	1
9	M16x1	16	19	211293	MCK-PK-9-KU	1

1) Packaging unit  
2) Excluding connectors CK-M5-PK-4, LCK-M5-PK-4, TCK-M5-PK-4  
3) For connectors CK-M5-PK-4, LCK-M5-PK-4, TCK-M5-PK-4

## Data sheet

### Hollow bolt VT with ring piece LK

Materials:  
 Hollow bolt: Galvanised steel  
 Ring piece LK: Die-cast zinc  
 Ring piece LK...-KU: POM

Note on materials:  
 RoHS-compliant



VT

LK

#### Operating and environmental conditions

Operating pressure for entire temperature range [bar]	0 ... +10
Maritime classification	Ring piece LK: See certificate <sup>1)</sup>

1) Additional information: [www.festo.com/sp](http://www.festo.com/sp) → Certificates.

Ordering data				Dimensions → 18			
Hollow bolt				Ring piece			
Pneumatic connection	No. of ring pieces	Part no.	Type	Pneumatic connection	Part no.	Type	PU*
<b>Die-cast zinc version</b>							
M5	2	206145	VT-M5-2 <sup>3)</sup>	PK-3 with union nut	4475	LK-M5-PK-3 <sup>1)</sup>	10
	3	4594	VT-M5-3 <sup>3)</sup>				
G1/8	2	4593	VT-1/8-2-PK-3 <sup>3)</sup>	PK-3 with union nut	4597	LK-1/8-PK-3 <sup>1)</sup>	10
	3	4595	VT-1/8-3-PK-3 <sup>3)</sup>				
G1/8	2	206146	VT-1/8-2 <sup>3)</sup>	PK-4 with union nut	4476	LK-1/8-PK-4 <sup>1)</sup>	10
	3	4596	VT-1/8-3 <sup>3)</sup>				
G1/8	2	206146	VT-1/8-2 <sup>3)</sup>	PK-6 with union nut	4477	LK-1/8-PK-6 <sup>1)</sup>	10
	3	4596	VT-1/8-3 <sup>3)</sup>				
G1/4	2	206147	VT-1/4-2 <sup>3)</sup>	PK-4 with union nut	4478	LK-1/4-PK-4 <sup>1)</sup>	10
	3	2335	VT-1/4-3 <sup>3)</sup>				
G1/4	2	206147	VT-1/4-2 <sup>3)</sup>	PK-6 with union nut	4479	LK-1/4-PK-6 <sup>1)</sup>	10
	3	2335	VT-1/4-3 <sup>3)</sup>				
G3/8	2	206148	VT-3/8-2 <sup>3)</sup>	PK-6 with union nut	4480	LK-3/8-PK-6 <sup>1)</sup>	1
	3	2336	VT-3/8-3 <sup>3)</sup>				
<b>Polymer version</b>							
G1/8	2	206146	VT-1/8-2 <sup>3)</sup>	PK-4 with union nut	6280	LK-1/8-PK-4-KU <sup>2) 3)</sup>	10
	3	4596	VT-1/8-3 <sup>3)</sup>				
G1/8	2	206146	VT-1/8-2 <sup>3)</sup>	PK-6 with union nut	6281	LK-1/8-PK-6-KU <sup>2) 3)</sup>	10
	3	4596	VT-1/8-3 <sup>3)</sup>				
G1/4	2	206147	VT-1/4-2 <sup>3)</sup>	PK-4 with union nut	6282	LK-1/4-PK-4-KU <sup>2) 3)</sup>	10
	3	2335	VT-1/4-3 <sup>3)</sup>				
G1/4	2	206147	VT-1/4-2 <sup>3)</sup>	PK-6 with union nut	6283	LK-1/4-PK-6-KU <sup>2) 3)</sup>	10
	3	2335	VT-1/4-3 <sup>3)</sup>				

\* Packaging unit

- 1) With union nut MCK and 2 sealing rings OK
- 2) With union nut MCK, with moulded-on sealing edge, pressure range 0 ... 10 bar, temperature range -10 ... +60°C
- 3) Free of copper and PTFE



## Data sheet

## Hollow bolt VT with ring piece TK

Materials:  
 Hollow bolt: Galvanised steel  
 Ring piece TK: Die-cast zinc  
 Ring piece TK...-KU: POM

Note on materials:  
 RoHS-compliant



Operating and environmental conditions	
Operating pressure for entire temperature range [bar]	0 ... +10
Operating medium	Compressed air to ISO 8573-1:2010 [7:-:-]
Note on the operating/pilot medium	Lubricated operation possible (in which case lubricated operation will always be required)
Maritime classification	Ring piece TK: See certificate <sup>1)</sup>

1) Additional information: [www.festo.com/sp](http://www.festo.com/sp) → Certificates.

Ordering data				Dimensions → 18			
Hollow bolt				Ring piece			
Pneumatic connection	No. of ring pieces	Part no.	Type	Pneumatic connection	Part no.	Type	PU*
<b>Die-cast zinc version</b>							
M5	2	206145	VT-M5-2 <sup>3)</sup>	PK-3 with union nut	4491	TK-M5-PK-3 <sup>1)</sup>	1
	3	4594	VT-M5-3 <sup>3)</sup>				
G1/8	2	4593	VT-1/8-2-PK-3 <sup>3)</sup>	PK-3 with union nut	4598	TK-1/8-PK-3 <sup>1)</sup>	1
	3	4595	VT-1/8-3-PK-3 <sup>3)</sup>				
	2	206146	VT-1/8-2 <sup>3)</sup>	PK-4 with union nut	4492	TK-1/8-PK-4 <sup>1)</sup>	1
	3	4596	VT-1/8-3 <sup>3)</sup>				
	2	206146	VT-1/8-2 <sup>3)</sup>	PK-6 with union nut	4493	TK-1/8-PK-6 <sup>1)</sup>	1
	3	4596	VT-1/8-3 <sup>3)</sup>				
G1/4	2	206147	VT-1/4-2 <sup>3)</sup>	PK-4 with union nut	4494	TK-1/4-PK-4 <sup>1)</sup>	1
	3	2335	VT-1/4-3 <sup>3)</sup>				
	2	206147	VT-1/4-2 <sup>3)</sup>	PK-6 with union nut	4495	TK-1/4-PK-6 <sup>1)</sup>	1
	3	2335	VT-1/4-3 <sup>3)</sup>				
G3/8	2	206148	VT-3/8-2 <sup>3)</sup>	PK-6 with union nut	4496	TK-3/8-PK-6 <sup>1)</sup>	1
	3	2336	VT-3/8-3 <sup>3)</sup>				
<b>Polymer version</b>							
G1/8	2	206146	VT-1/8-2 <sup>3)</sup>	PK-4 with union nut	6284	TK-1/8-PK-4-KU <sup>2) 3)</sup>	1
	3	4596	VT-1/8-3 <sup>3)</sup>				
	2	206146	VT-1/8-2 <sup>3)</sup>	PK-6 with union nut	6285	TK-1/8-PK-6-KU <sup>2) 3)</sup>	1
	3	4596	VT-1/8-3 <sup>3)</sup>				
G1/4	2	206147	VT-1/4-2 <sup>3)</sup>	PK-4 with union nut	6286	TK-1/4-PK-4-KU <sup>2) 3)</sup>	1
	3	2335	VT-1/4-3 <sup>3)</sup>				
	2	206147	VT-1/4-2 <sup>3)</sup>	PK-6 with union nut	6287	TK-1/4-PK-6-KU <sup>2) 3)</sup>	1
	3	2335	VT-1/4-3 <sup>3)</sup>				

\* Packaging unit

- 1) With 2 union nuts MCK and 2 sealing rings OK
- 2) With 2 union nuts MCK, with moulded-on sealing edge, pressure range 0 ... 10 bar, temperature range -10 ... +60°C
- 3) Free of copper and PTFE

Data sheet

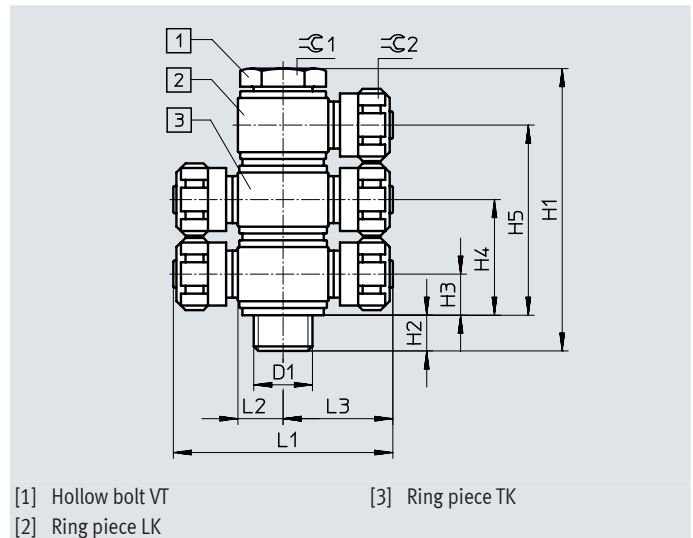
**Multiple distributor**

Comprising:

- Hollow bolt VT and ring piece LK  
→ 16

or

- Hollow bolt VT and ring piece TK  
→ 17



[1] Hollow bolt VT  
[2] Ring piece LK

[3] Ring piece TK

**Dimensions**

Connection D1	Hollow bolt Type	Ring piece Type	H1	H2	H3	H4	H5	L1	L2	L3	≙1	≙2	
M5	VT-M5-2	LK-M5-PK-3	27.3	4	5.2	15.1	-	-	5	16.1	7	8	
		TK-M5-PK-3						32.2	-				
	VT-M5-3	LK-M5-PK-3	37.1	3.9	5.2	15.1	25	-	5	16.1	7	8	
		TK-M5-PK-3						32.2	-				
G1/8	VT-1/8-2-PK-3	LK-1/8-PK-3	32.7	5.9	6.1	16.7	-	-	8	19.1	13	8	
		TK-1/8-PK-3						38.2	-				
	VT-1/8-3-PK-3	LK-1/8-PK-3	43.3	5.9	6.1	16.7	27.3	-	8	19.1	13	8	
		TK-1/8-PK-3						38.2	-				
	VT-1/8-2	LK-1/8-PK-4	61.2	5.8	9.1	25.7	42.3	-	8	22.2	13	12	
								TK-1/8-PK-4	44.4				-
		LK-1/8-PK-6						-	8	22.3			14
								TK-1/8-PK-6	44.6				
	VT-1/8-3	LK-1/8-PK-4	61.2	5.8	9.1	25.7	42.3	-	8	22.2	13	12	
								TK-1/8-PK-4	44.4				-
		LK-1/8-PK-6						-	8	22.3			14
								TK-1/8-PK-6	44.6				
G1/4	VT-1/4-2	LK-1/4-PK-4	45.2	6.6	9.2	25.4	-	-	10	24.2	17	12	
				TK-1/4-PK-4	48.4	-							
		LK-1/4-PK-6		6.2	9.3	25.7		-	10	24.3			14
				TK-1/4-PK-6	48.6	-							
	VT-1/4-3	LK-1/4-PK-4	62.5	6.7	9.2	25.4	41.6	-	10	24.2	17	12	
				TK-1/4-PK-4	48.4	-							
		LK-1/4-PK-6		6.1	9.3	25.7	42.1	-	10	24.3			14
				TK-1/4-PK-6	48.6	-							
G3/8	VT-3/8-2	LK-3/8-PK-6	47.5	7.5	9.3	25.7	-	-	12.5	26.8	22	14	
		TK-3/8-PK-6						53.6	-				
	VT-3/8-3	LK-3/8-PK-6	63.9	7.5	9.3	25.7	42.1	-	12.5	26.8	22	14	
								TK-3/8-PK-6	53.6				-

# Festo - Your Partner in Automation



**1 Festo Inc.**  
5300 Explorer Drive  
Mississauga, ON L4W 5G4  
Canada

**Festo Customer Interaction Center**  
Tel: 1 877 463 3786  
Fax: 1 877 393 3786  
Email: [customer.service.ca@festo.com](mailto:customer.service.ca@festo.com)



**2 Festo Pneumatic**  
Av. Ceylán 3,  
Col. Tequesquináhuac  
54020 Tlalnepantla,  
Estado de México

**Multinational Contact Center**  
01 800 337 8669  
[ventas.mexico@festo.com](mailto:ventas.mexico@festo.com)



**3 Festo Corporation**  
1377 Motor Parkway  
Suite 310  
Islandia, NY 11749

**Festo Customer Interaction Center**  
1 800 993 3786  
1 800 963 3786  
[customer.service.us@festo.com](mailto:customer.service.us@festo.com)



**4 Regional Service Center**  
7777 Columbia Road  
Mason, OH 45040

Connect with us



[www.festo.com/socialmedia](http://www.festo.com/socialmedia)



[www.festo.com](http://www.festo.com)

Subject to change