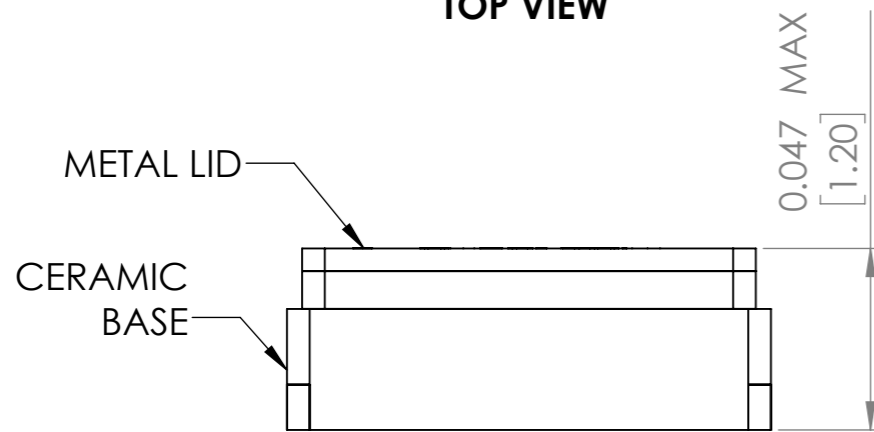
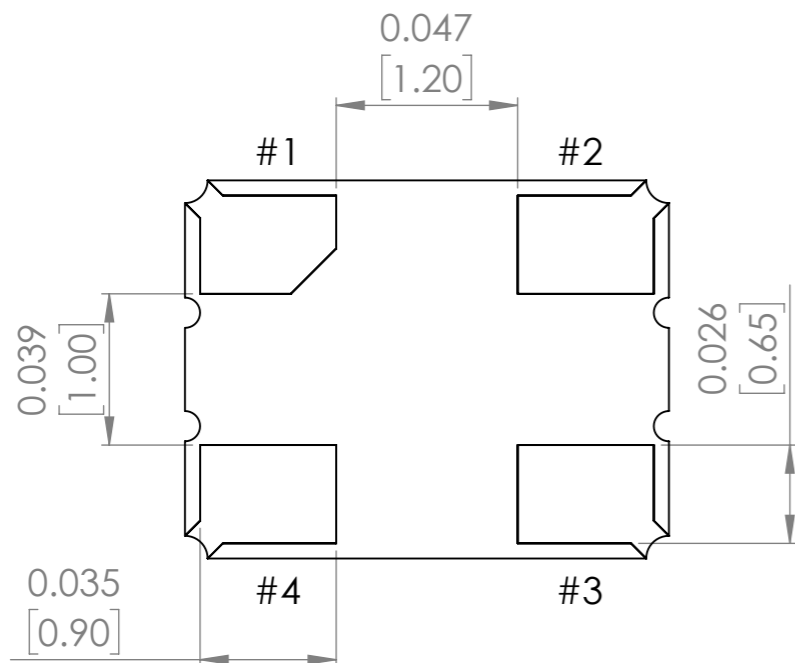


**TOP VIEW**



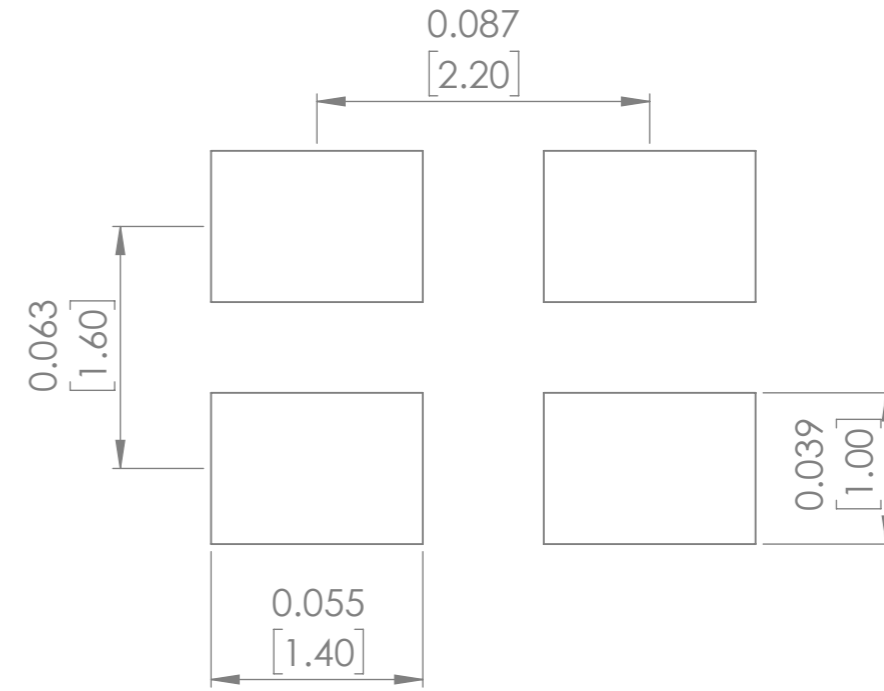
**SIDE VIEW**



**BOTTOM VIEW**

**DIMENSIONS: INCHES[MM]**

**Recommended Land Pattern**



Pin #	Function
1	Tri-state
2	GND/Case
3	Output
4	V <sub>dd</sub>

Note: Recommend using an approximately 0.01uF bypass capacitor between PIN 2 and PIN4

**TOP PACKAGE MARKING IS FOR ILLUSTRATION PURPOSES ONLY**

DO NOT SCALE DRAWING	REVISION	-
 <b>ABRACON</b> 5101 Hidden Creek Lane, Spicewood Texas-78669		
TITLE:		
DWG NO.	ASEKDVAIG	A3
SCALE: 20:1	SHEET 1 OF 1	