

REV. SHEET 1 OF 2		DOCUMENT NO. RVPX-P08VXX
REVISIONS M		
LTR	DESCRIPTION	DATE
A	INITIAL RELEASE	11-FEB-16
B	CORRECTED GOLD THICKNESS IN TABLE 1 CORRECTED DRILL SIZE Ø IN NOTE 2	31-MAY-17

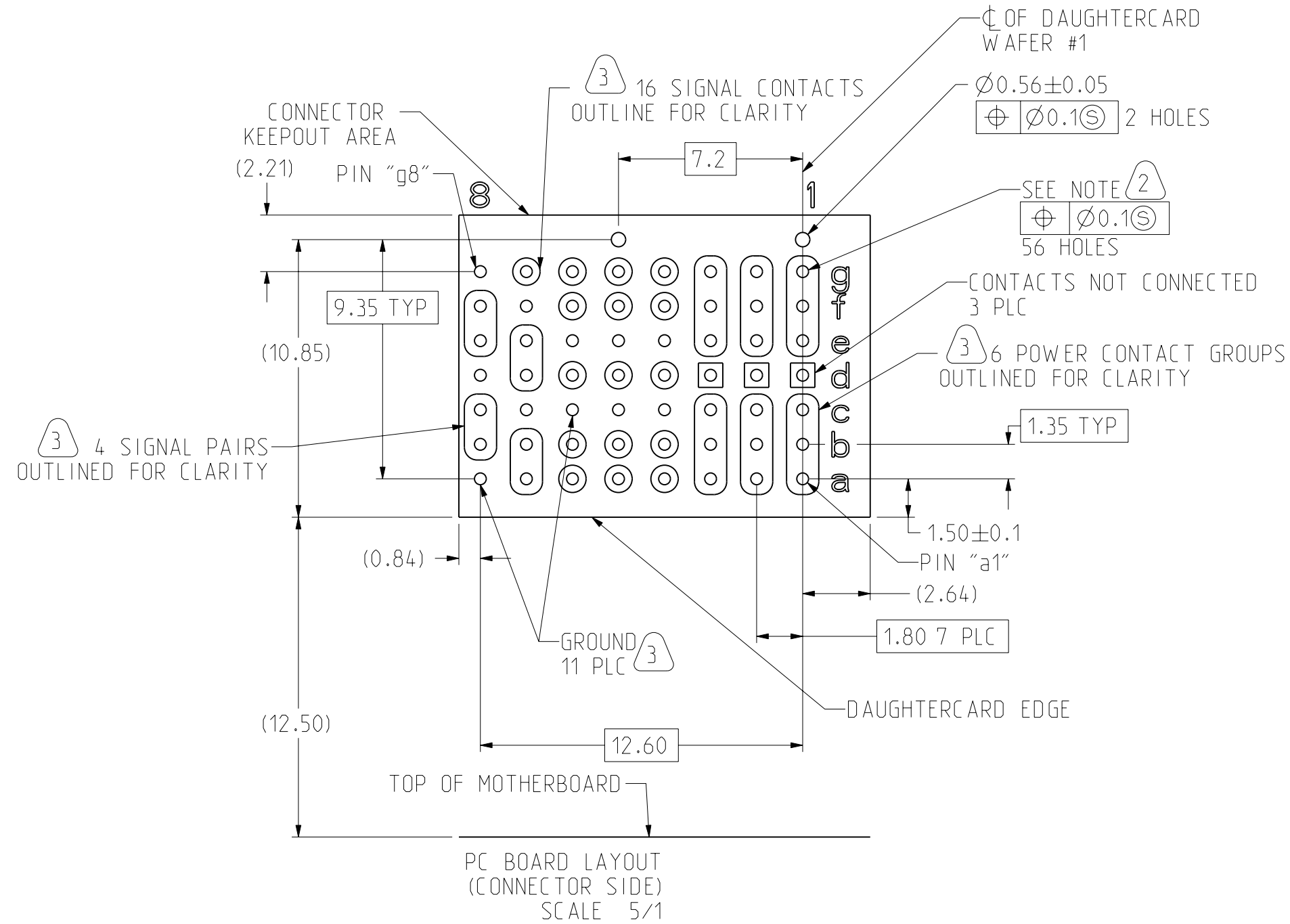
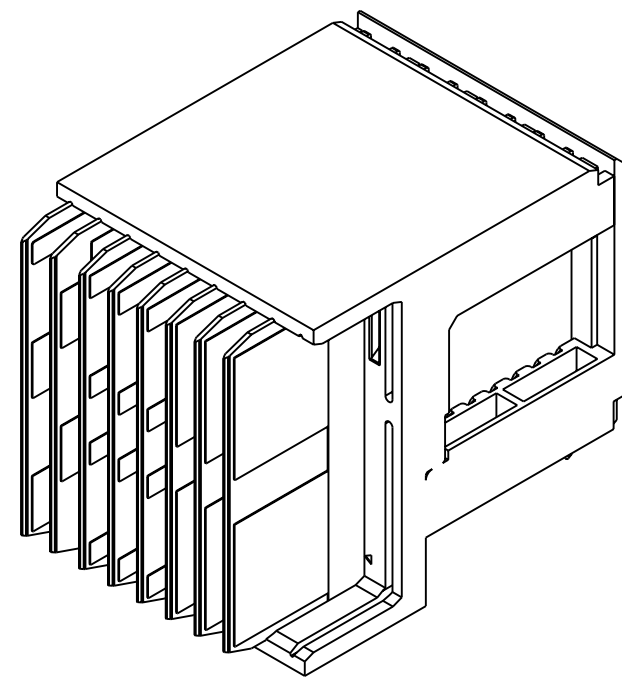


TABLE 1
INTERCONNECTIONS WITH BACKPLANE
CONNECTOR RVPX-J08EXX

TYPICAL INTERCONNECTIONS FOR COLUMN (WAFER): 8		
CONTACT USAGE	DAUGHTERCARD CONNECTOR PIN	BACKPLANE CONNECTOR PIN
SIGNAL PAIR	bx	cx
SIGNAL PAIR	cx	dx
SIGNAL PAIR	ex	gx
SIGNAL PAIR	fx	hx
GROUND	ax, dx, gx, (ALL COMMONED)	ax, bx, ex, fx, ix

TYPICAL INTERCONNECTIONS FOR COLUMN (WAFER): 7		
CONTACT USAGE	DAUGHTERCARD CONNECTOR PIN	BACKPLANE CONNECTOR PIN
SIGNAL PAIR	ax	ax
SIGNAL PAIR	bx	bx
SIGNAL PAIR	dx	ex
SIGNAL PAIR	ex	fx
SIGNAL	gx	ix
GROUND	cx, fx, (ALL COMMONED)	cx, dx, gx, hx

TYPICAL INTERCONNECTIONS FOR COLUMN (WAFER): 4, 5, 6		
CONTACT USAGE	DAUGHTERCARD CONNECTOR PIN	BACKPLANE CONNECTOR PIN
SIGNAL	ax	bx
SIGNAL	bx	cx
SIGNAL	dx	ex
SIGNAL	fx	gx
SIGNAL	gx	hx
GROUND	cx, ex, (ALL COMMONED)	ax, dx, fx, ix

TYPICAL INTERCONNECTIONS FOR COLUMN (WAFER): 1, 2, 3		
CONTACT USAGE	DAUGHTERCARD CONNECTOR PIN	BACKPLANE CONNECTOR PIN
POWER	ax, bx, cx	ax, bx, cx, dx
POWER	ex, fx, gx	fx, gx, hx, ix
NOT CONNECTED	dx	ex

NOTE: "x" DESIGNATES THE COLUMN NUMBER

TABLE 2

PLATING THICKNESS AND MATERIAL BY PART NUMBER			
PART NUMBER	GOLD IN CONTACT AREA	COMPLIANT	NICKEL OVERALL
RVPX-P08VM1	50 µ-INCH MIN	50 µ-INCH MIN TIN	50 µ-INCH MIN
RVPX-P08VM2	50 µ-INCH MIN	50 µ-INCH MIN TIN-LEAD	50 µ-INCH MIN
RVPX-P08VC1	30 µ-INCH MIN	50 µ-INCH MIN TIN	50 µ-INCH MIN
RVPX-P08VC2	30 µ-INCH MIN	50 µ-INCH MIN TIN-LEAD	50 µ-INCH MIN

- 4 SEE TABLE 2 FOR PART NUMBER AND FINISHES
- 3 SEE TABLE 1 FOR INTERCONNECTIONS TO BACKPLANE CONNECTOR
- 2 PTH CALLOUT
TYPICAL HOLE
Ø0.53-.57 DRILL
Ø0.46 ±.05 FINISH HOLE
Ø0.92 PAD
- 1 HOUSING: GLASS FILLED LCP, UL94 - V0
CONTACT: Cu ALLOY
POST: STAINLESS STEEL, PASSIVATED

THE USE OF THIS DOCUMENT IS UNLIMITED. HOWEVER, DOCUMENTS REFERENCED HEREON MAY CONTAIN LIMITED RIGHTS DATA.

N/A
NEXT ASSEMBLY

PRO/ENGINEER INFORMATION
Pro/e Model Used:
P1233-426-0008-001.ATCS-1.PART
Drawing Name:
RVPX-P08VX

UNLESS OTHERWISE SPECIFIED
SPECIFICATIONS
POS QTY PART NUMBER DESCRIPTION NOTE

LINEAR DIMENSIONS ARE IN MILLIMETERS
TOLERANCES:
.XXXX = ±. - ANGLES = ±1°
.XXX = ±.
.XX = ±.13
.X = ±.5

DIM. & TOL. PER ASME Y14.5M;
DRM PER MIL-DTL-31000;
OTHER Amphenol Stds. PER 9-3800

LEGENDS:
= FLAG NOTE CALL OUT REFERENCE ONLY

MATERIAL SPEC.
N/A

PROCESS SPEC.
9-3895
9-3856-5

APPROVALS
PREPARED BY S. LANGELIER
ENGINEER IN CHARGE S. LANGELIER
DESIGN MANAGER J. PAUL
DESIGN ACTIVITY GROUP BOARD LEVEL

DATE 22-SEP-15

THIRD ANGLE PROJECTION

SIZE	CAGE CODE	DOCUMENT NO.	REV.
C	77820	RVPX-P08VXX	B

SCALE: 5.0 REF. NONE SHEET 1 OF 2

AMPHENOL CORPORATION
40-60 DELAWARE AVENUE
SIDNEY, N.Y. 13858

RIGHT-ANGLE PLUG ASSEMBLY
HALF LEFT END, RVPX
DAUGHTERCARD CONNECTOR, VITA 46

RVPX-P08VXX

SHEET 2 OF 2

REV. B

C

B

A

D

C

VISION

REVISION

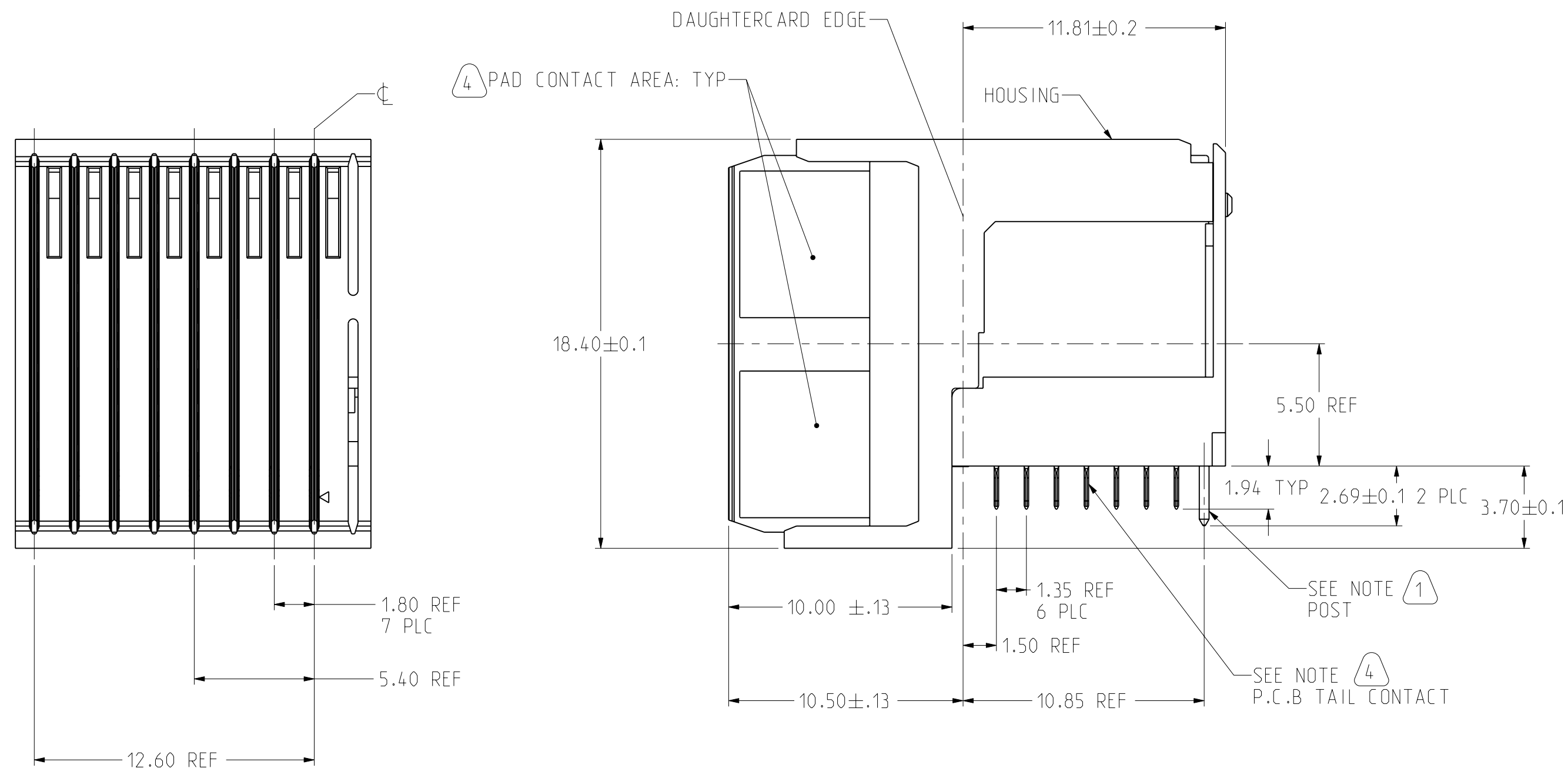
Eng. PDM Information For Reference Only

REV.

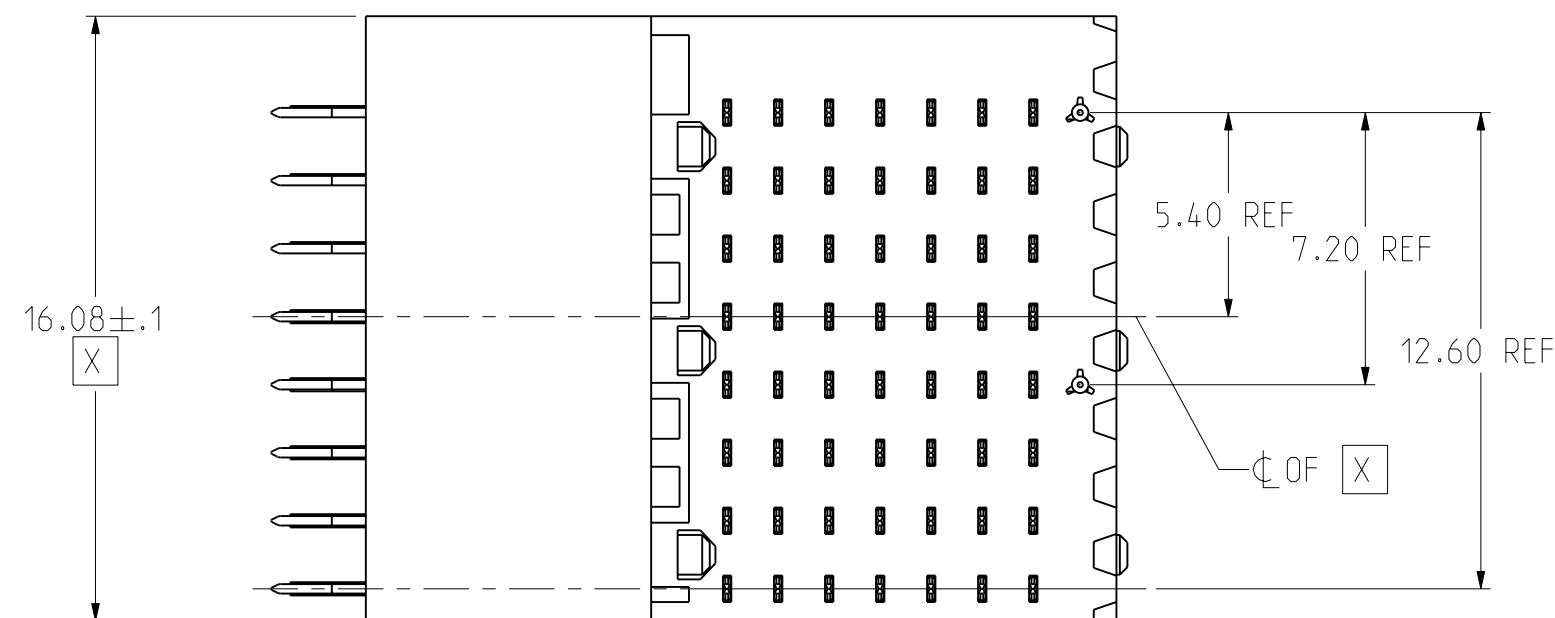
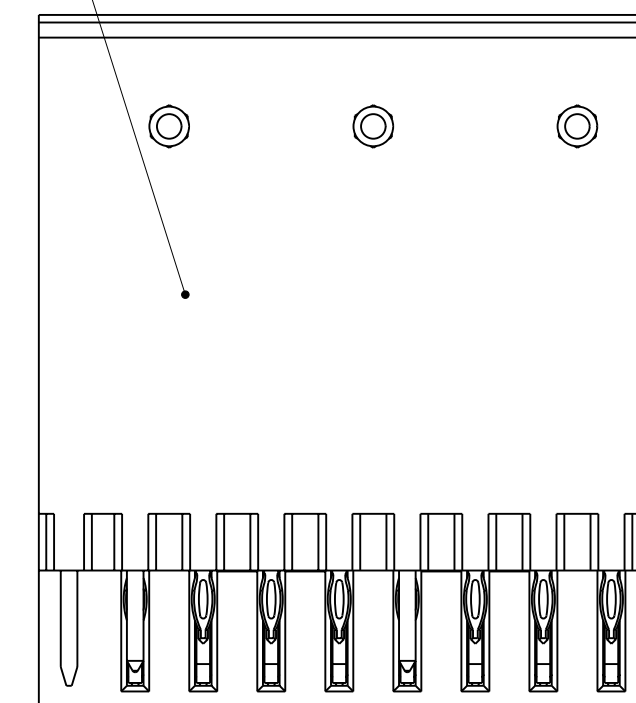
SHEET 2 OF 2

RVPX-P08VXX

REV. B



PART MARKING AS FOLLOWS
 AMPHENOL 77820
 'AAO PART NUMBER' (SEE TABLE 1)
 'DATE CODE'
 'WORK ORDER NUMBER AS LOT NUMBER'



NOTES: SEE SHEET 1

THE USE OF THIS DOCUMENT IS UNLIMITED. HOWEVER, DOCUMENTS REFERENCED HEREON MAY CONTAIN LIMITED RIGHTS DATA.

SIZE C	CAGE CODE 77820	DOCUMENT NO. RVPX-P08VXX	REV. B
SCALE: 5.0		REF: NONE	SHEET 2 OF 2