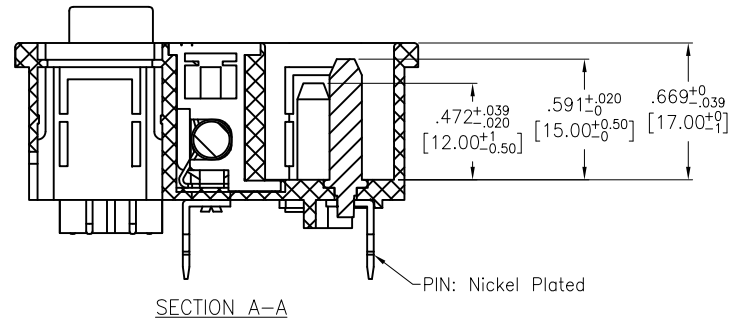
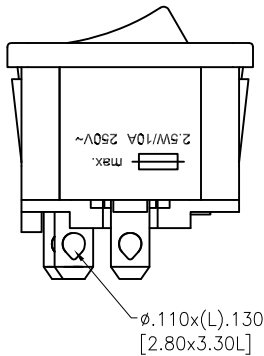
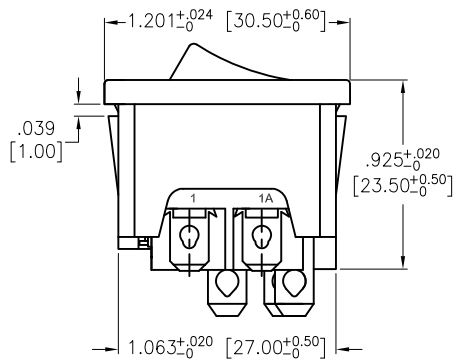
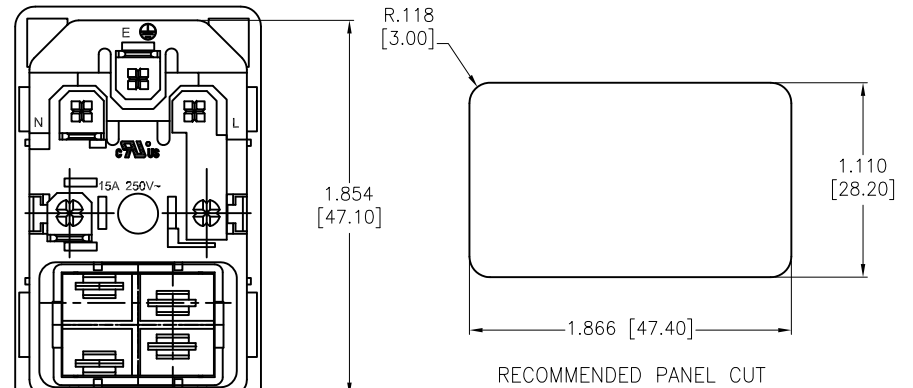
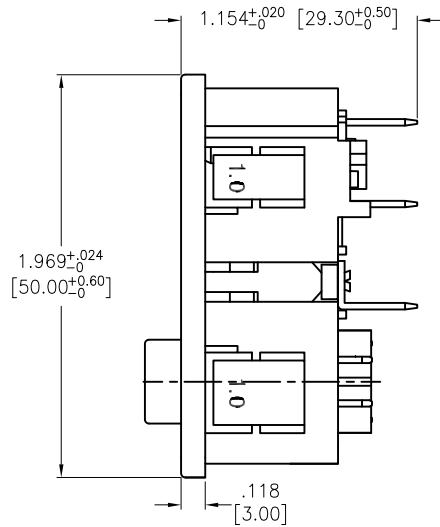
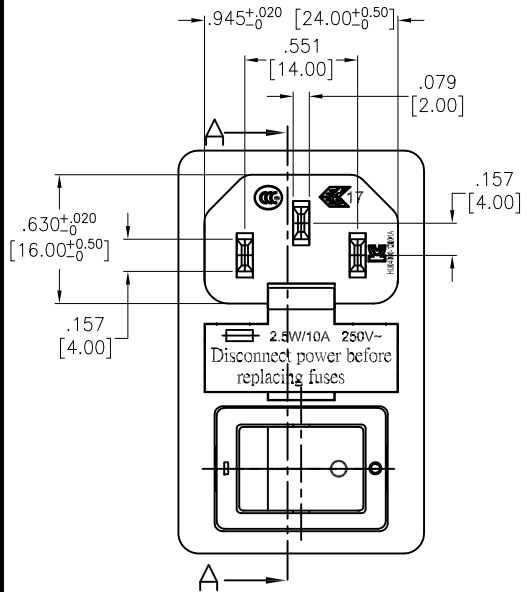


APPROVED: _____
 DATE: _____ TITLE: _____

Rev	AWO #	Description	Date	Appr
-		RELEASED	12/08/09	
A		UPDATE DRAWING	9/7/20	LH/KC
B		UPDATE DRAWING	11/4/20	SS



SPECIFICATIONS:

Material:
 Insulator: Nylon66, rated UL 94V-0
 Insulator color: Black
 Contacts: Copper Alloy
 Plating:
 Tin over Copper underplate
 Electrical:
 Rating: 15A 250V~(C-ULus)
 15A 250V~(ENEC & CCC & KC)
 Insulation resistance: 100 Mohms min @ 500 VDC
 Dielectric withstanding voltage: 3000 VAC for 1 minute
 Environmental:
 Lead free, RoHS compliant.

RECOMMENDED FUSE SIZE
 5X20mm
 2.5W, 10A Max., 250V
 Fuse drawer accepts 1 Fuse only



UNLESS OTHERWISE SPECIFIED ALL DIMENSIONS ARE MM [INCHES] TOLERANCES: EXCEPT AS NOTED	
INCHES	HOLES
.X ±.10	Ø.X ±.10
.XX ±.020	Ø.XX ±.015
.XXX ±.015	Ø.XXX ±.010
APPROVALS	
DRAWN	DATE
DY	12/08/09
CHECKED	
APPROVED	

ADAM TECH INTERCONNECTS
 909 Rahway Avenue,
 Union, NJ 07083
 Phone: 908-687-5000
 Fax: 908-687-5710

TITLE		IEC CONNECTOR, ISOLATED FUSE, 1.0MM SNAP IN PANEL, .187" [4.8] QC TERMINAL	
SIZE	PART NO.	REV.	
X	IEC-GS-1-100	B	
REF:	S00087C	SCALE:	NTS
		SHEET 1 OF 1	