

NEW



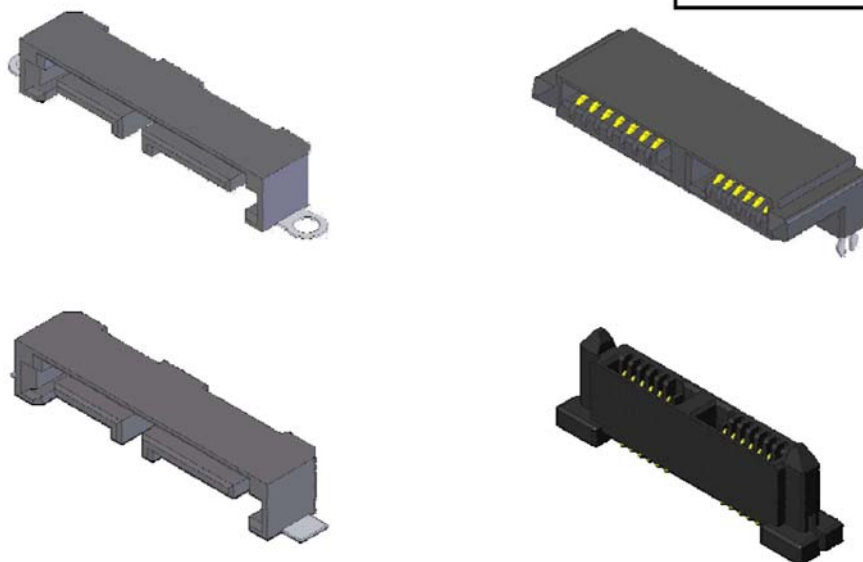
PM2 Series

CONNECTOR

MB-0184-1

June 2008

RoHS Compliant



JAE has developed the PM2 Series, an interface connector compatible with the Slimline SATA (Serial ATA) standard for ODD (Optical Disk Drives) in notebook PCs.

Features

-Signal Area: 13 contacts:

7 signal contacts at 1.27mm pitch, 6 power contacts at 1.0mm pitch

-ODD Side: Screw-fix and hold-down solder types available

Contact area plating thickness options: 0.1, 0.3, 0.76 μ m

-PC Side:

Straight type (designed for FPC mounting)

Angle type (designed for board mounting): Standard mounting height 2.25mm

Reverse mounting height 4.6, 6.5, 7.9mm

*Height from board to center of connector guide.

General Specifications

■No. of Contacts: 13 pos.

■Contact Resistance:
30m ohm max. (initial)

■Dielectric Withstanding Voltage:
AC 500V per minute

■Rated Current: 1.5A per contact

■Insulation Resistance:
1000M ohm min.(after test)

■Durability: 500 times

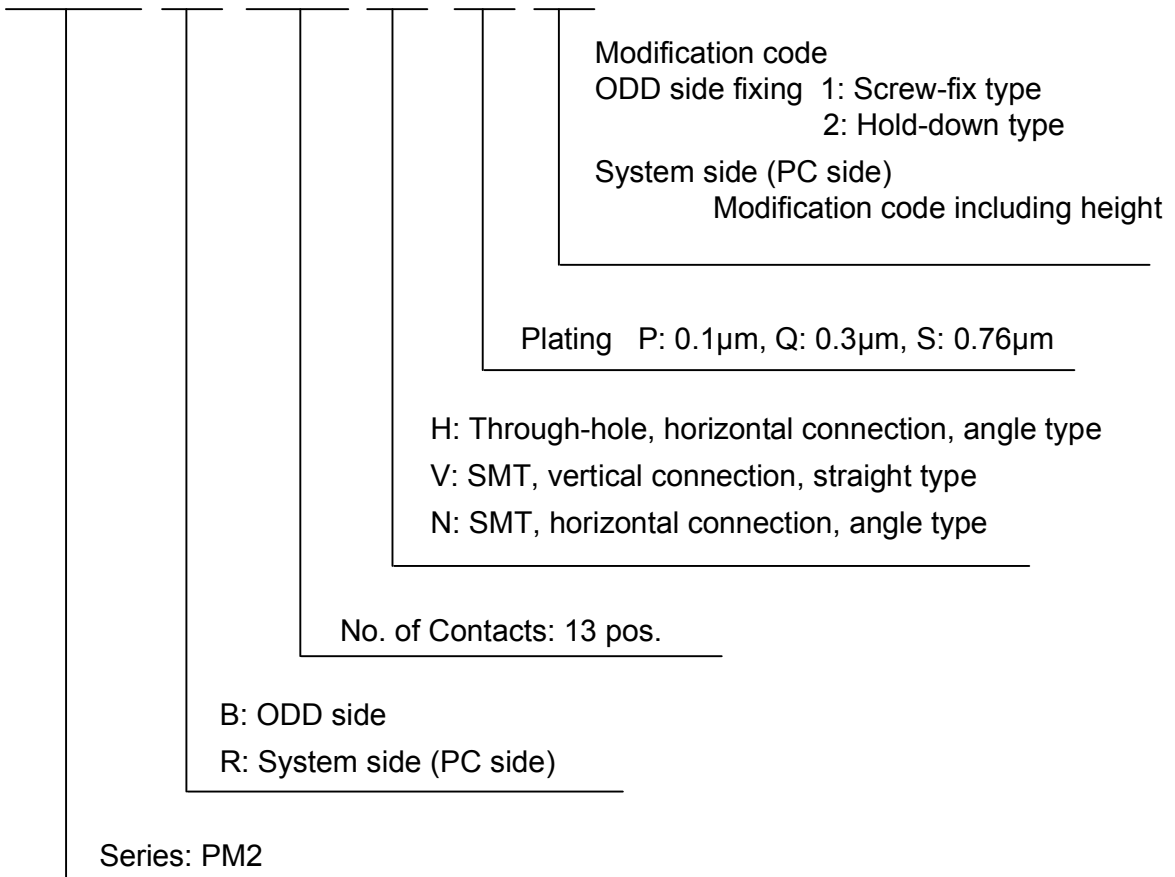
■Operating Temperature:
-40 Deg. C to +85 Deg. C

Materials and Finishes

Component	Material/ Finish
Insulator	Glass filled LCP
Contact	Copper alloy/ plating of connection area ODD side 0.1, 0.3, 0.76 μm System side (PC Side) 0.3 μm
Hold-down	Copper alloy/ Sn plating over Ni (Specification of screw type and hook type in common)

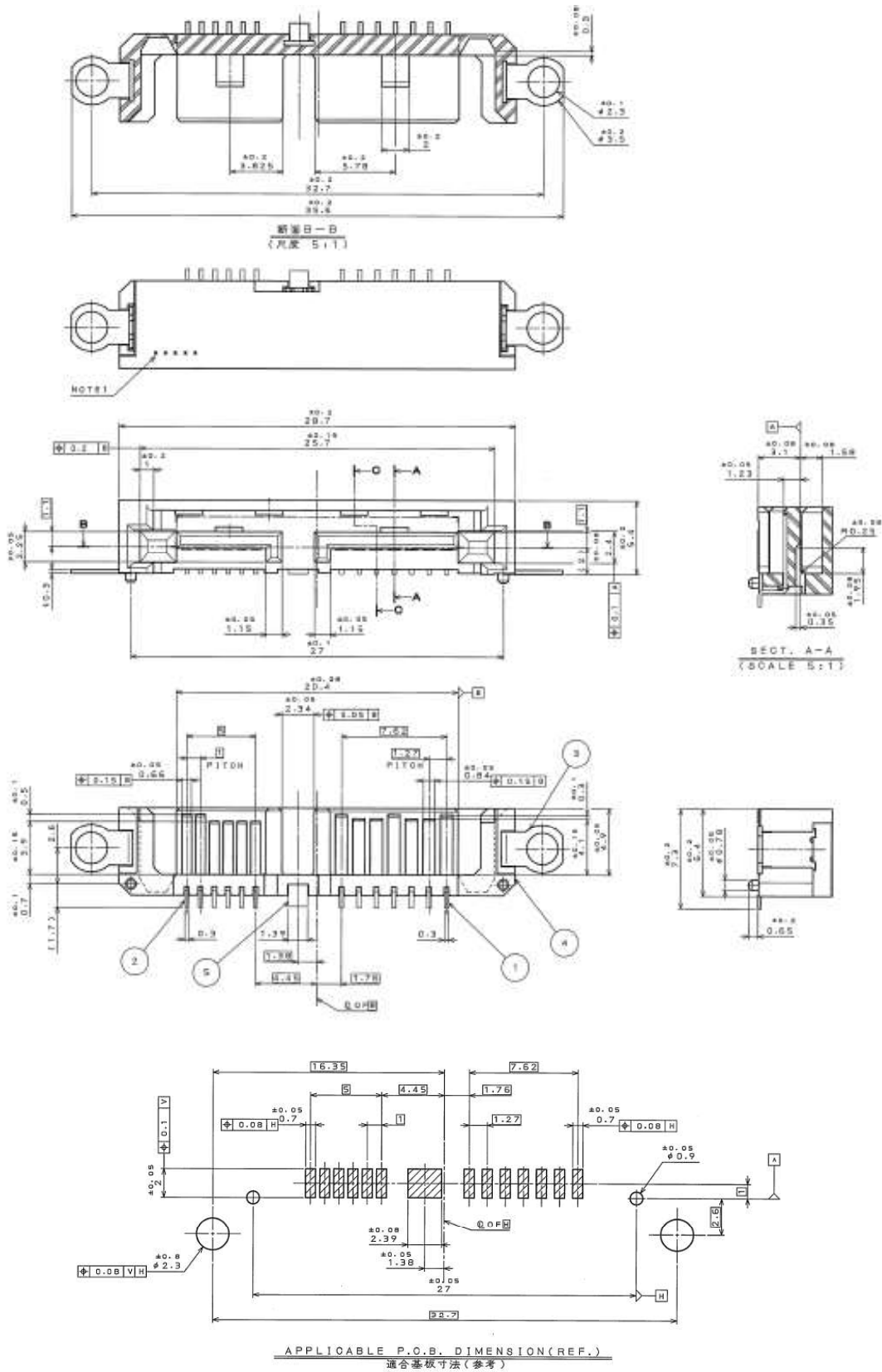
Ordering Information

PM2 B 013 H S 1

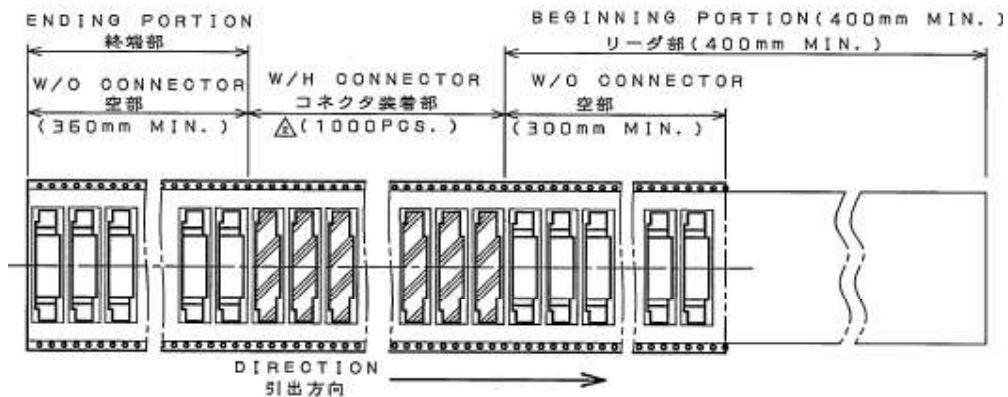
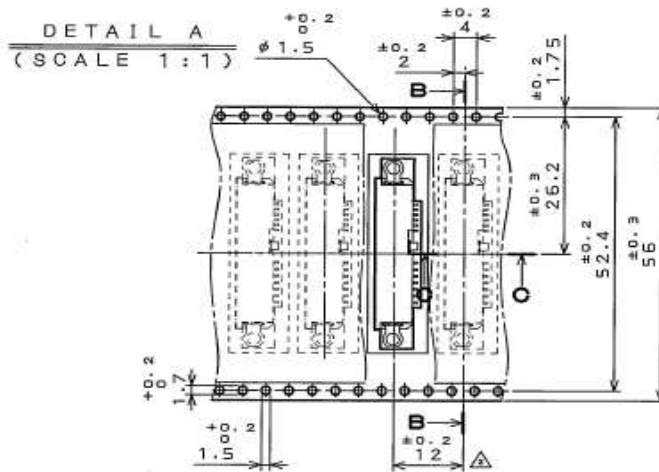
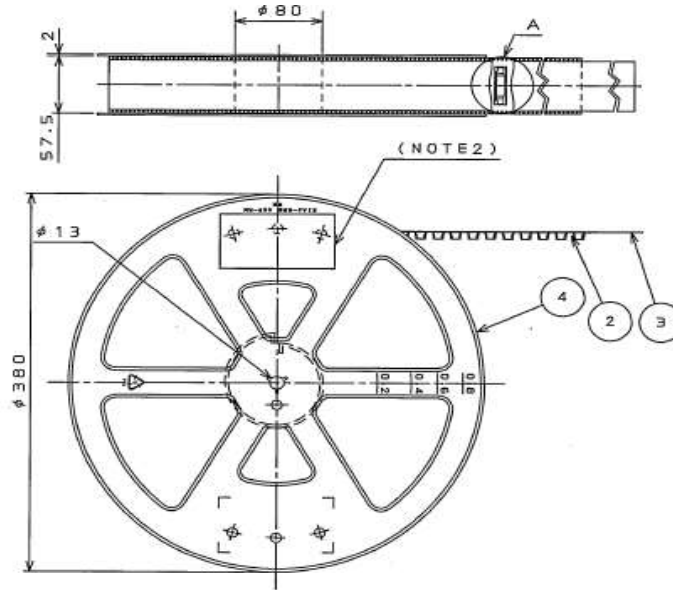


Product Drawing

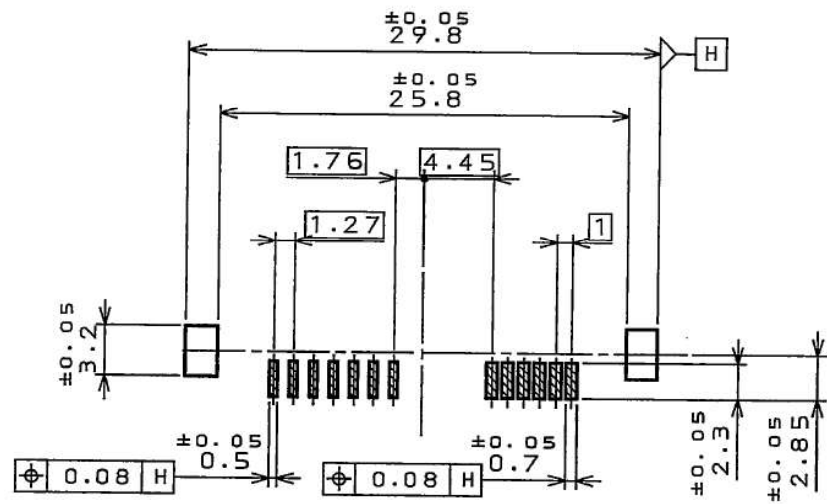
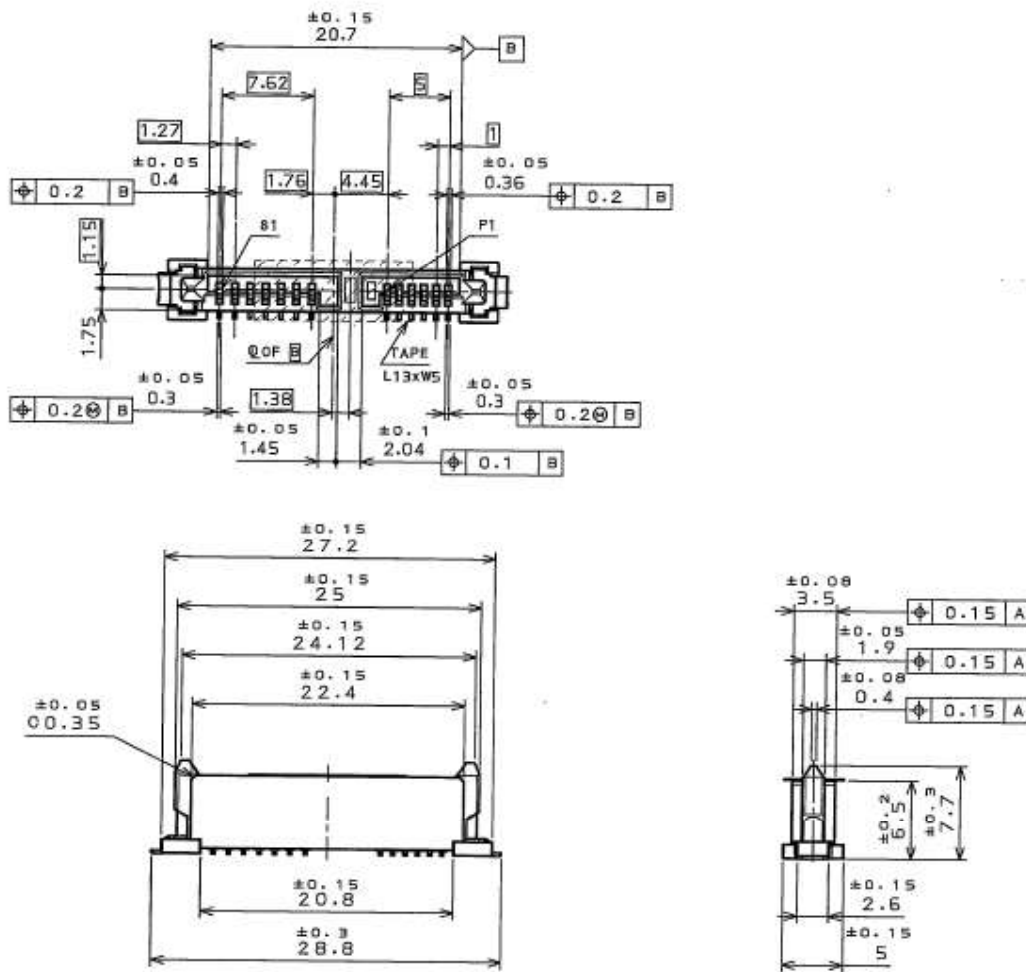
PM2B013H*1



■ PM2B013H*1R1000
 PM2B013H*2R1000

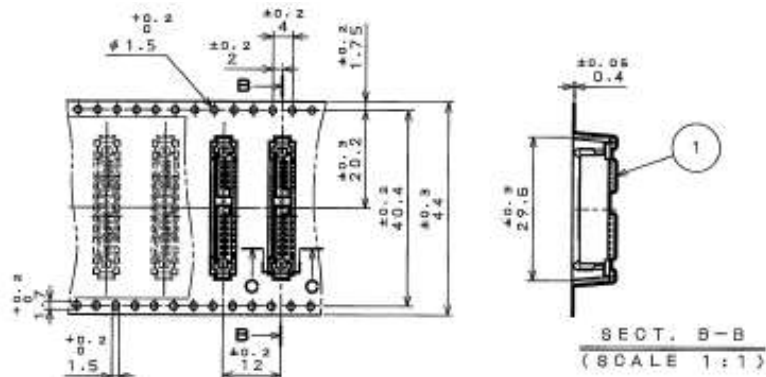
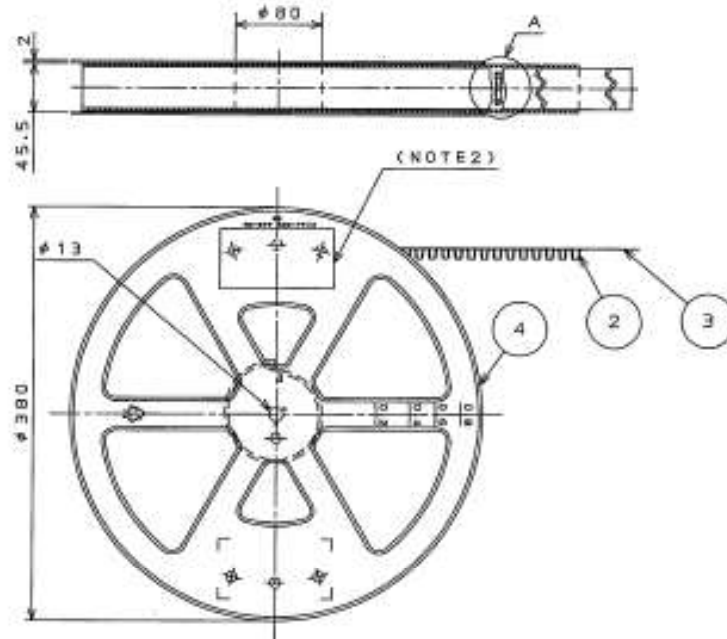


PM2R013VQ2

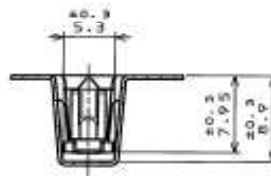


APPLICABLE P.C.B. DIMENSION (REF.)
適合基板寸法 (参考)

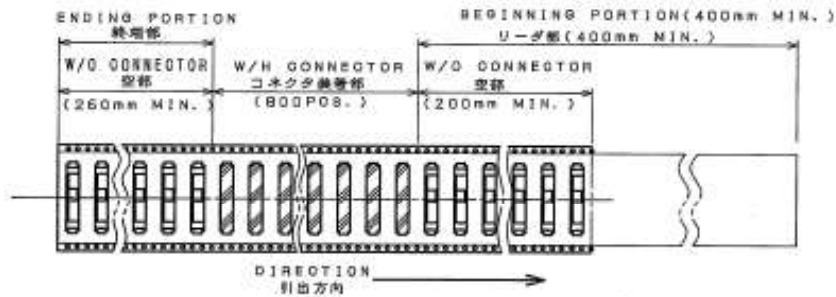
■ PM2R013VQ2R800



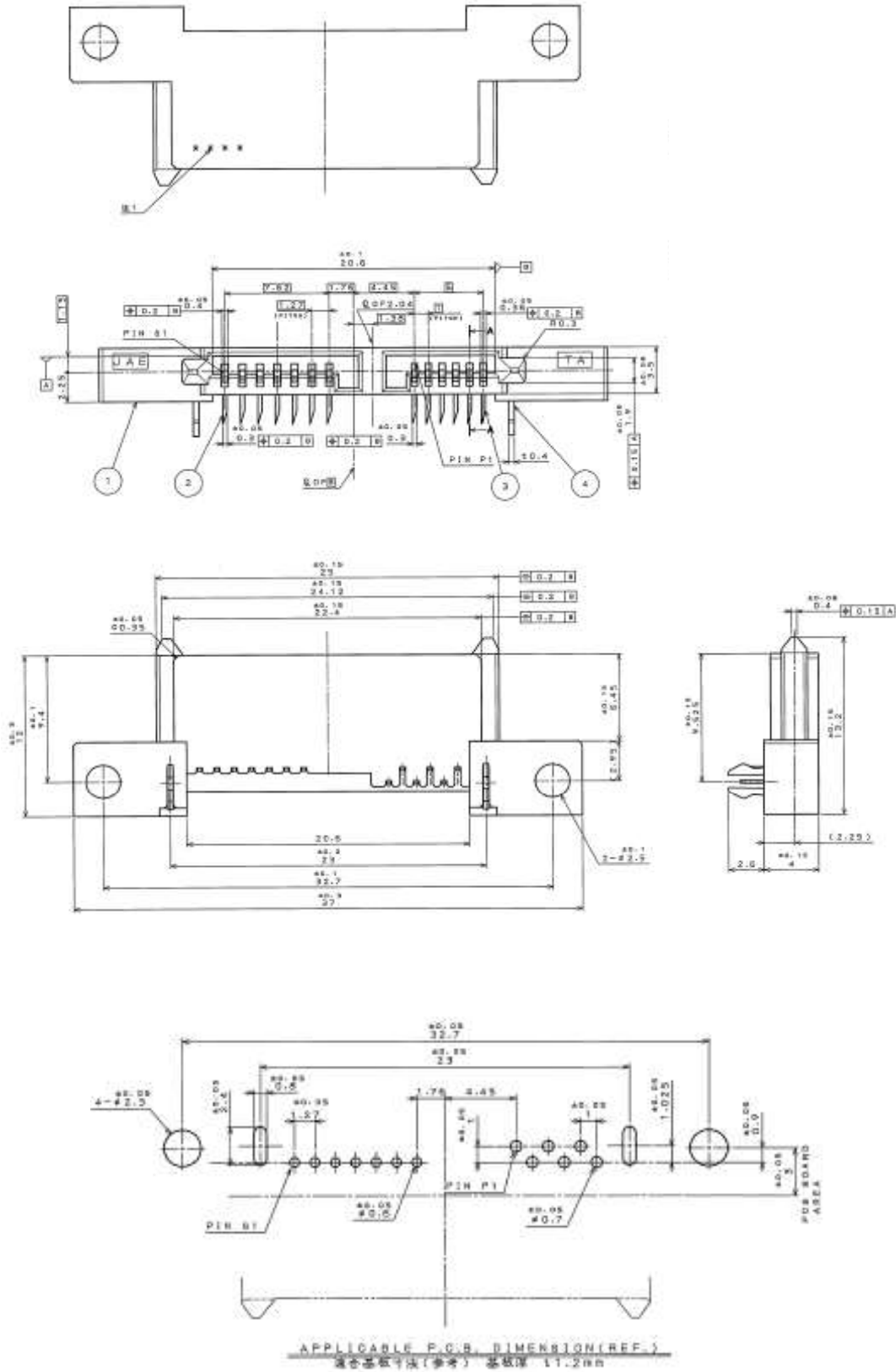
DETAIL A
(SCALE 1:1)



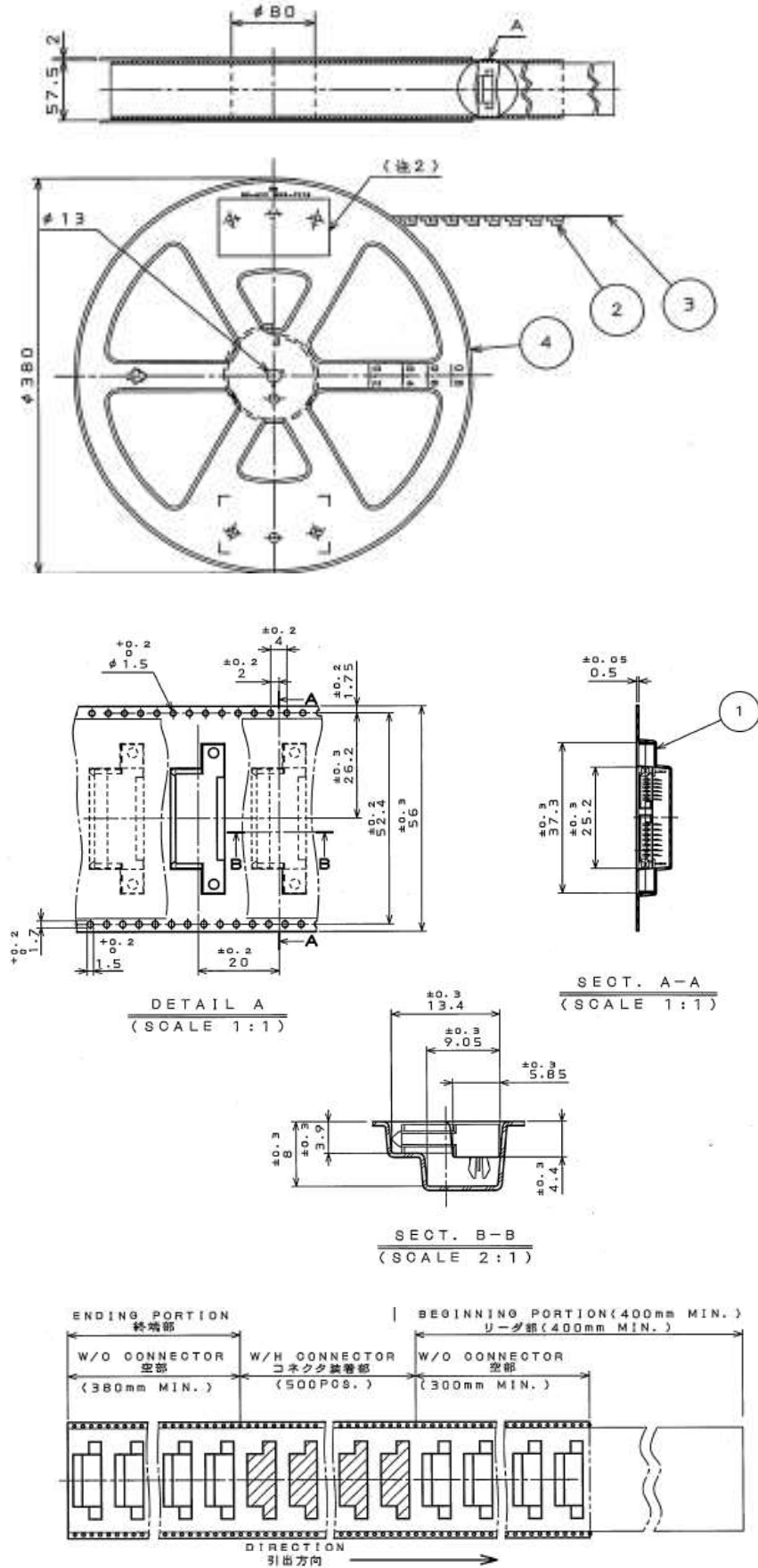
SECT. C-C
(SCALE 2:1)



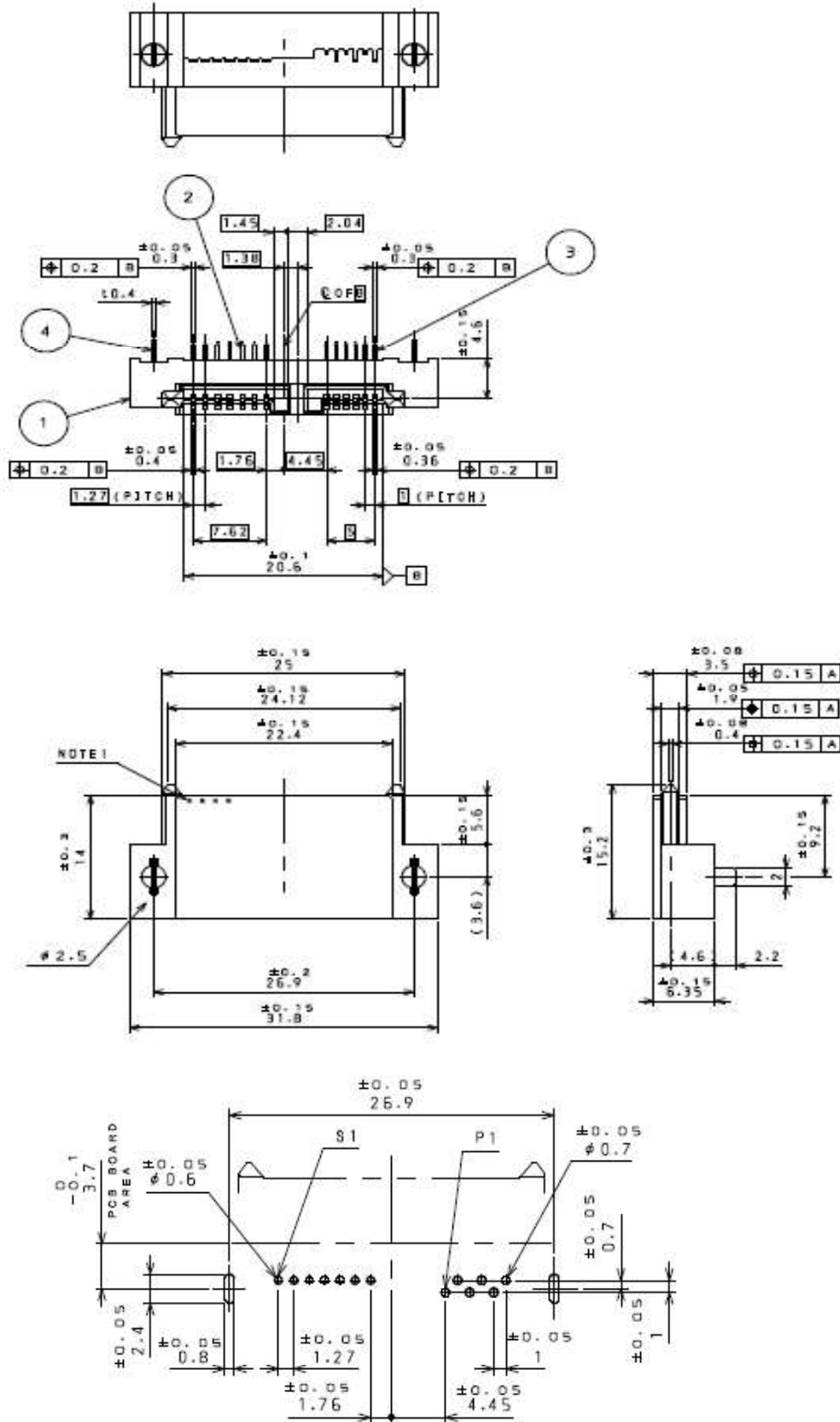
PM2R013NQ1



PM2R013NQ1R500



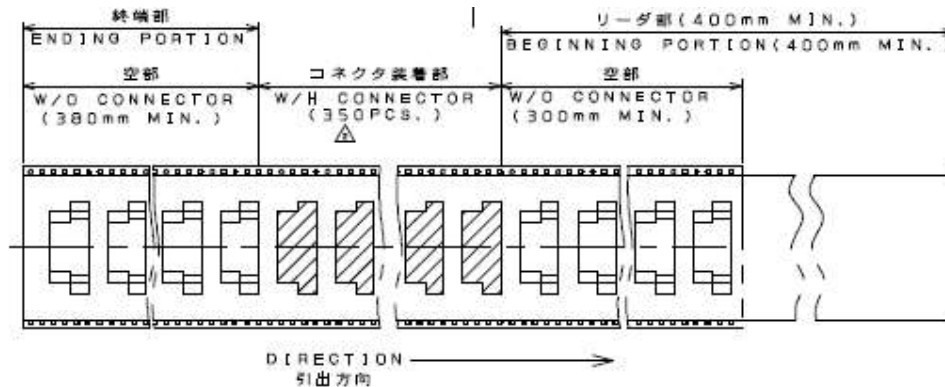
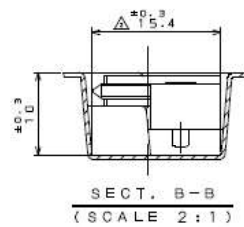
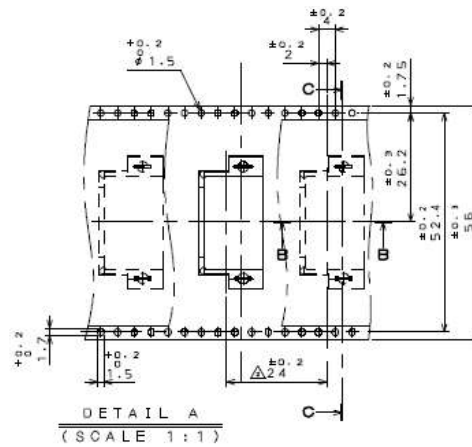
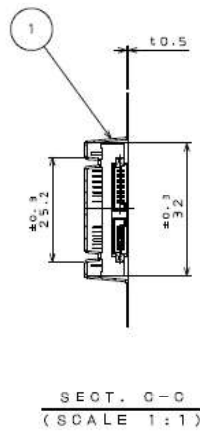
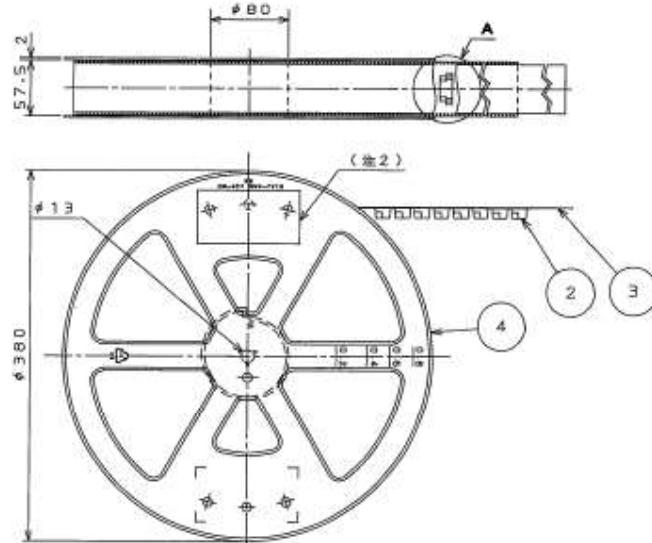
PM2R013NQ2



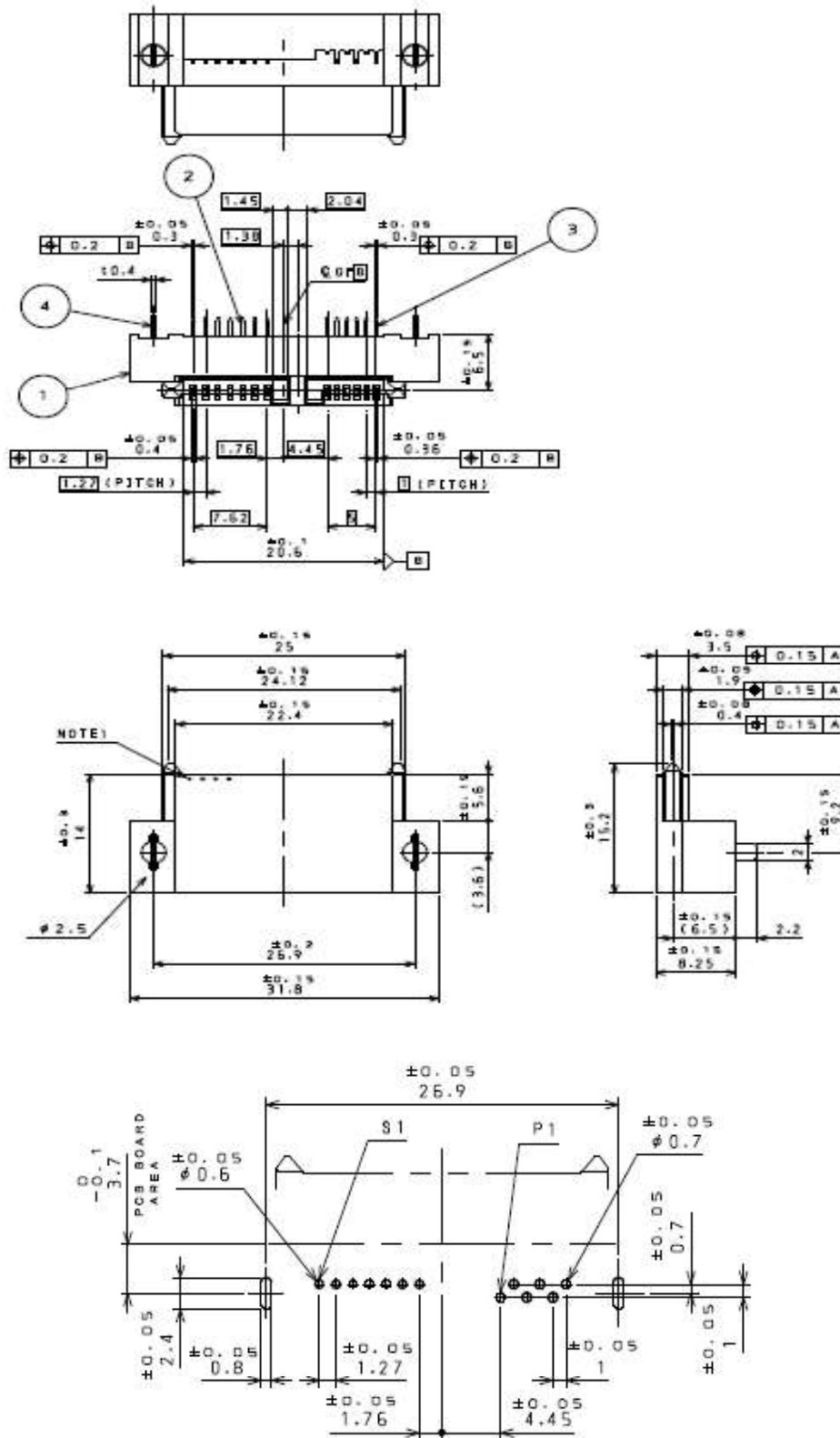
P.C.B. HOLE PATTERNS (REF.)

基板取付穴寸法(参考)

■ PM2R013NQ2R350

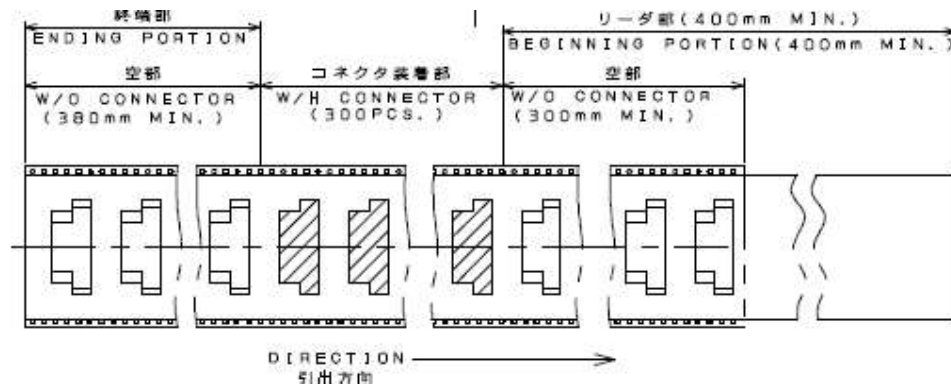
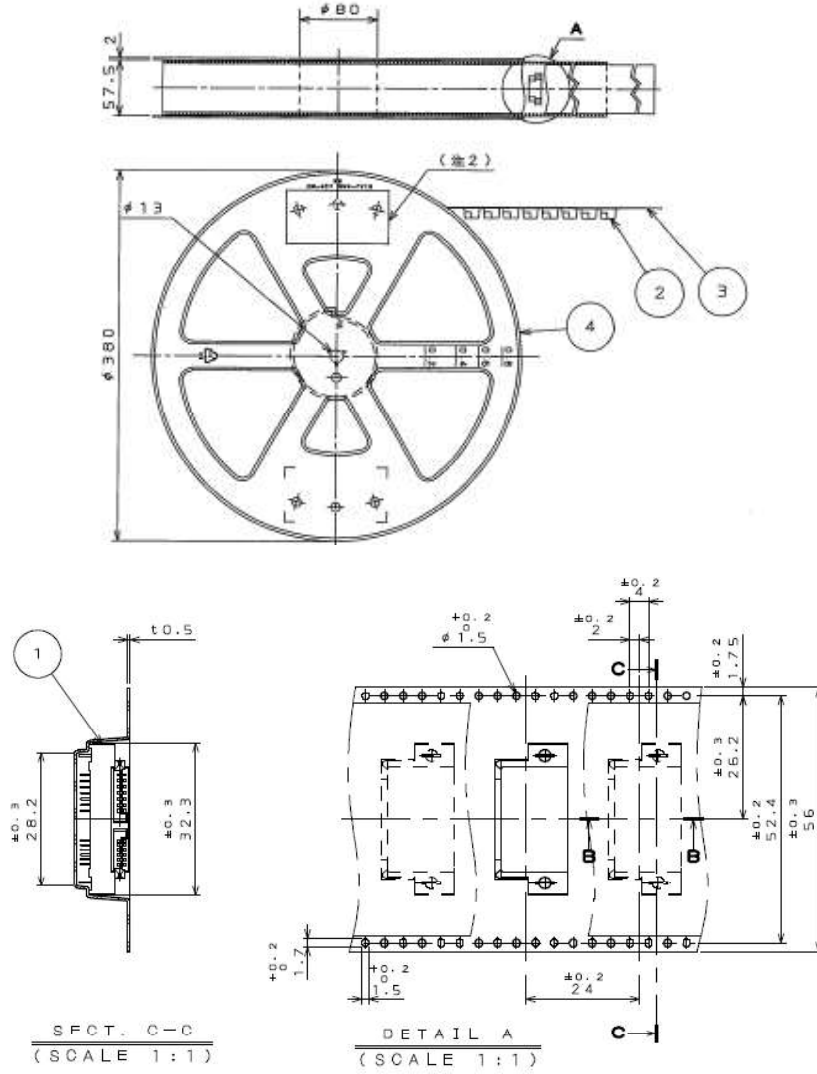


PM2R013NQ3

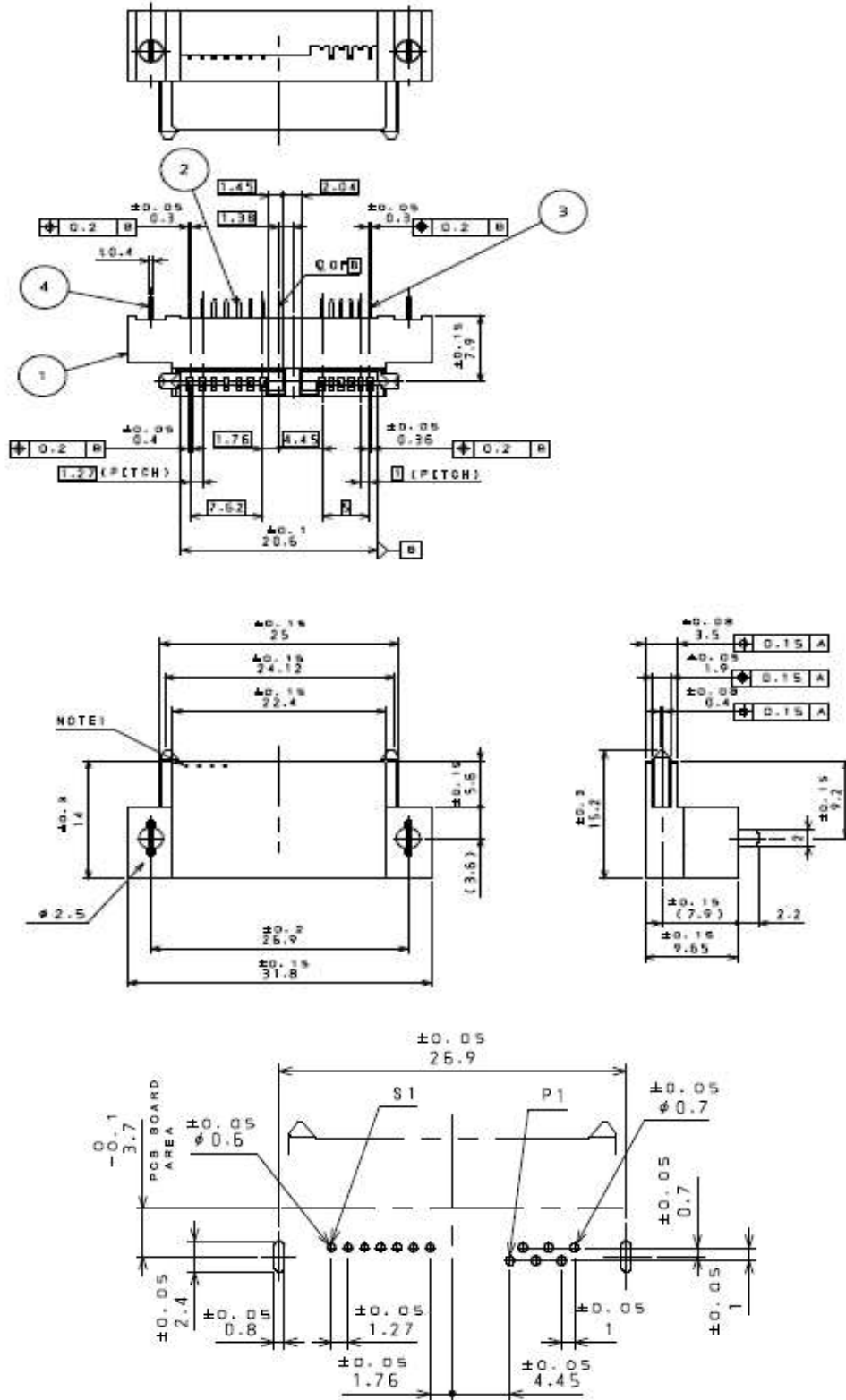


P.C.B. HOLE PATTERNS (REF.)
基板取付寸法 (参考)

PM2R013NQ3R300

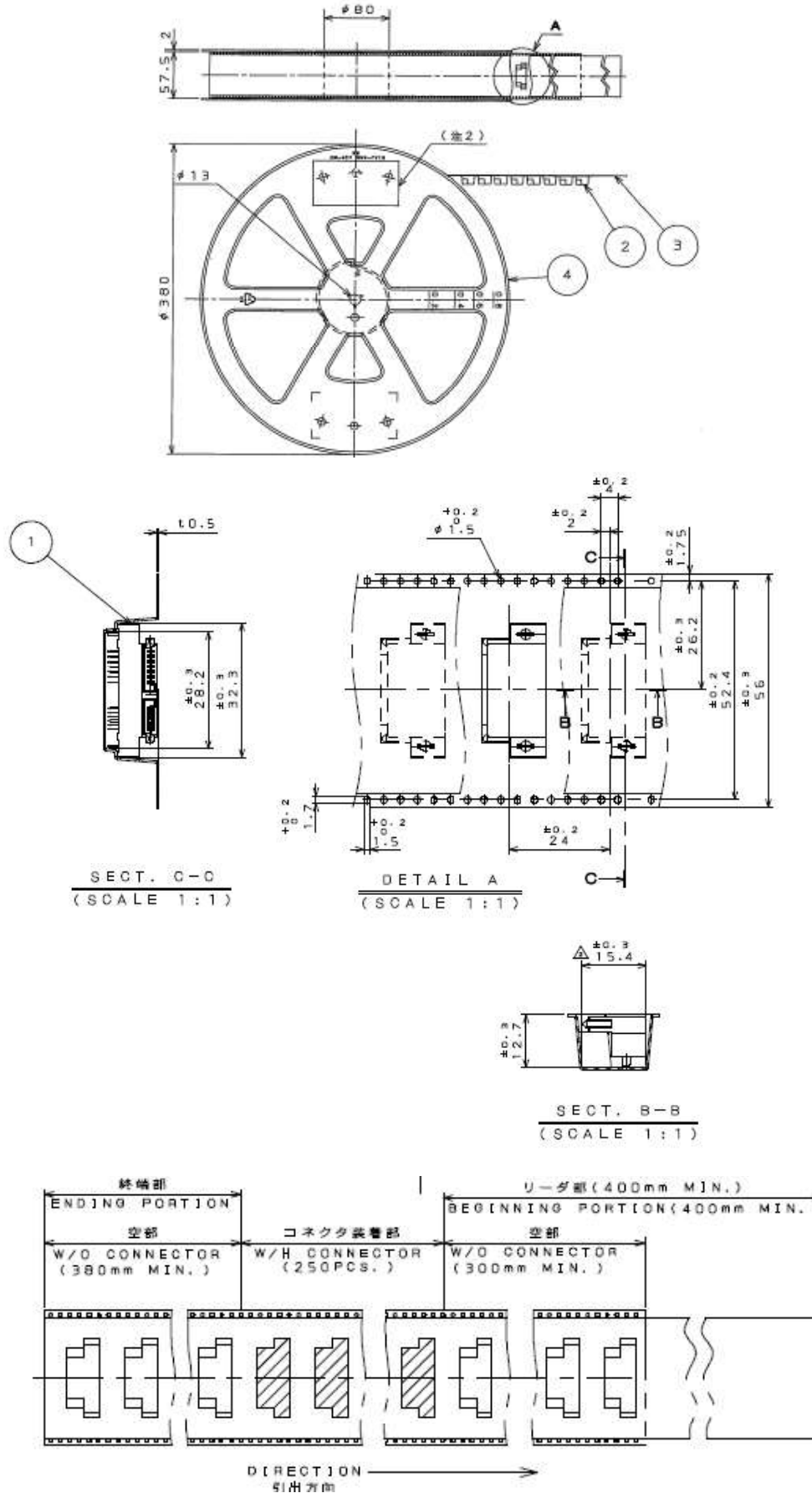


PM2R013NQ4



P.C.B. HOLE PATTERNS (REF.)
 基板取付穴寸法 (参考)

PM2R013NQ4R250



Drawing Number

Part Number	SJ Drawing	Specification
PM2B013H*1	SJ107770	JACS-10471
PM2B013H*1R1000	SJ107771	
PM2B013H*2	SJ107772	
PM2B013H*2R1000	SJ107773	
PM2R013VQ2	SJ108096	
PM2R013VQ2R800	SJ108097	
PM2R013NQ1	SJ108052	
PM2R013NQ1R500	SJ108053	
PM2R013NQ2	SJ108220	
PM2R013NQ2R350	SJ108238	
PM2R013NQ3	SJ108265	
PM2R013NQ3R300	SJ108266	
PM2R013NQ4	SJ108267	
PM2R013NQ4R250	SJ108268	

Test Report: SR-C-0728 PM2R013NQ2 vs PM2B013HP2

SR-C-0731 PM2R013NQ2 vs PM2B013HS1

SR-C-0734 PM2R013VQ2 vs PM2B013HS1

Japan Aviation Electronics Industry, Limited

Product Marketing Division
Aobadai Building, 3-1-19, Aobadai, Meguro-ku, Tokyo 153-8539
Phone: +81-3-3780-2787 FAX: +81-3-3780-2946

Notice: Products shown in this leaflet are made for the applications listed below. However, if the above-mentioned products are to be used in aerospace devices, marine cable-connection devices, atomic power control systems, medical equipment for life-support systems, or any other specific application requiring extremely high reliability, please contact JAE for further information.

Recommended applications: computers, office machines, measuring devices, telecommunication devices (terminals, mobile devices), AV devices, household applications, FA devices, etc.