

APPROVED: _____

DATE: _____ TITLE: _____

Rev	AWO #	Description	Date	Appr
-		RELEASED	5/28/21	
A		UPDATED DRAWING	9/27/21	JJ/RC

D

D

C

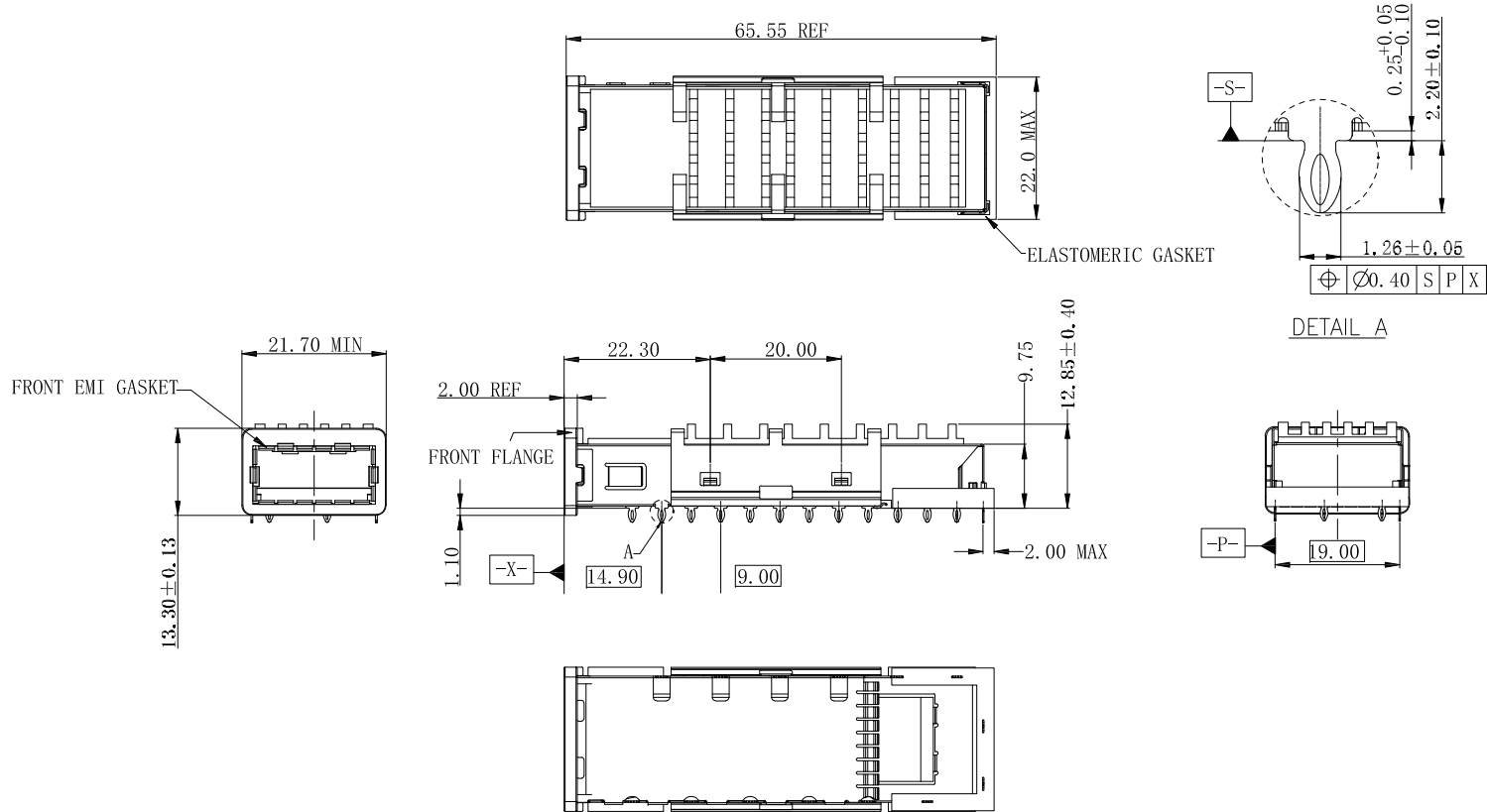
C

B

B

A

A



SPECIFICATIONS:

- Material:
- Cage: Copper Alloy
- Electrometric Gasket: Conductive Rubber
- Cage Rear EMI Gasket: Conductive Foam
- Front Flange: Zinc Alloy, Nickel Plated
- Front EMI Gasket: Copper Alloy, Tin over Nickel underplate overall
- Heat Sink Clip: Copper Alloy
- Heat Sink: Aluminum
- Temperature Rating:
- Operating temperature: -40°C to +85°C
- Environmental:
- Lead free, RoHS compliant



UNLESS OTHERWISE SPECIFIED ALL DIMENSIONS ARE MILLIMETERS. TOLERANCES: EXCEPT AS NOTED			ADAM TECH 909 Rahway Avenue, Union, NJ 07083 Phone: 908-687-5000 Fax: 908-687-5710	
mm		Angles		
.x	± .25		± 2°	TITLE 10 GIGABIT SMALL FORM FACTOR CAGE, 1PORT DIP TYPE, EMI CLIP W/ GASKET, W/ HEAT SINK
.xx	± .13			
.xxx	± .10			
DRAWN	WX	5/28/21	SIZE X	
CHECKED	RC	5/28/21	PART NO. XFC-1-CS2A-EMI-HSK	
APPROVED			REV. A	
THIS DRAWING CONTAINS INFORMATION THAT IS PROPRIETARY AND SHOULD NOT BE USED WITHOUT PRIOR WRITTEN PERMISSION FROM ADAM TECH			REF: S00005C	SCALE: NTS
			SHEET 1 OF 2	

6

5

4

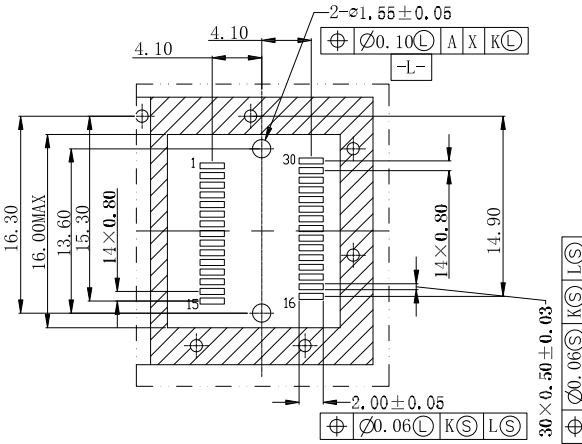
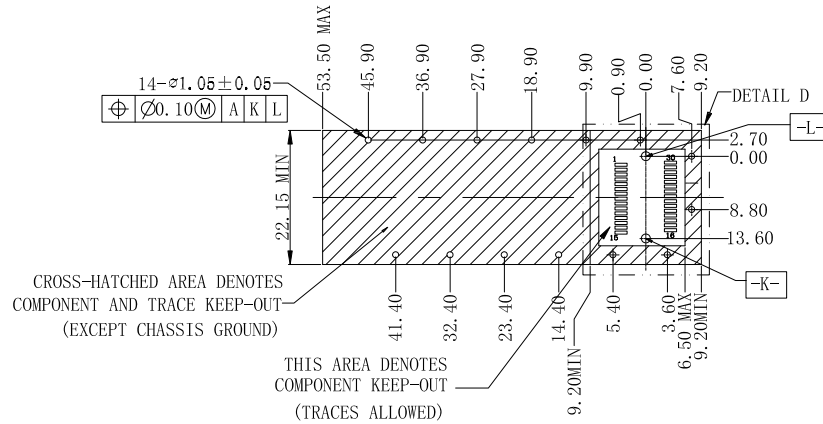
3

2

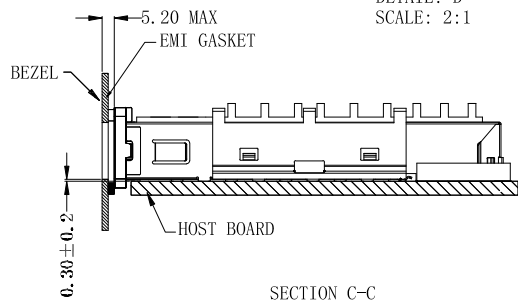
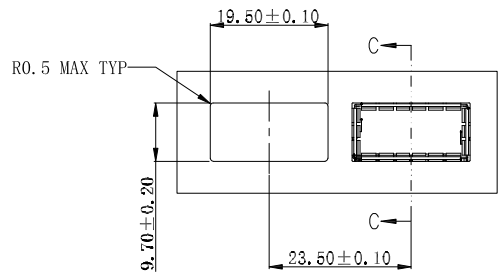
1

APPROVED: _____
 DATE: _____ TITLE: _____

Rev	AWO #	Description	Date	Appr
SEE SHT 1 OF 2 FOR REVISION				



DETAIL: D
SCALE: 2:1



SECTION C-C

UNLESS OTHERWISE SPECIFIED ALL DIMENSIONS ARE MILLIMETERS. TOLERANCES: EXCEPT AS NOTED

mm	Angles
.X ± .25	± 2°
.XX ± .13	
.XXX ± .10	

DRAWN	WX	5/28/21
CHECKED	RC	5/28/21
APPROVED		

THIS DRAWING CONTAINS INFORMATION THAT IS PROPRIETARY AND SHOULD NOT BE USED WITHOUT PRIOR WRITTEN PERMISSION FROM ADAM TECH

ADAM TECH 909 Rahway Avenue,
 Union, NJ 07083
 Phone: 908-687-5000
 Fax: 908-687-5710

TITLE 10 GIGABIT SMALL FORM FACTOR CAGE, 1PORT DIP TYPE, EMI CLIP W/ GASKET, W/ HEAT SINK		
SIZE X	PART NO. XFC-1-CS2A-EMI-HSK	REV. A
REF: S00005C	SCALE: NTS	SHEET 2 OF 2

6

5

4

3

2

1

D

D

C

C

B

B

A

A

6

5

4

3

2

1